

BLACKMER PARTS LIST

PUMP MODELS: C12-A, C18-A

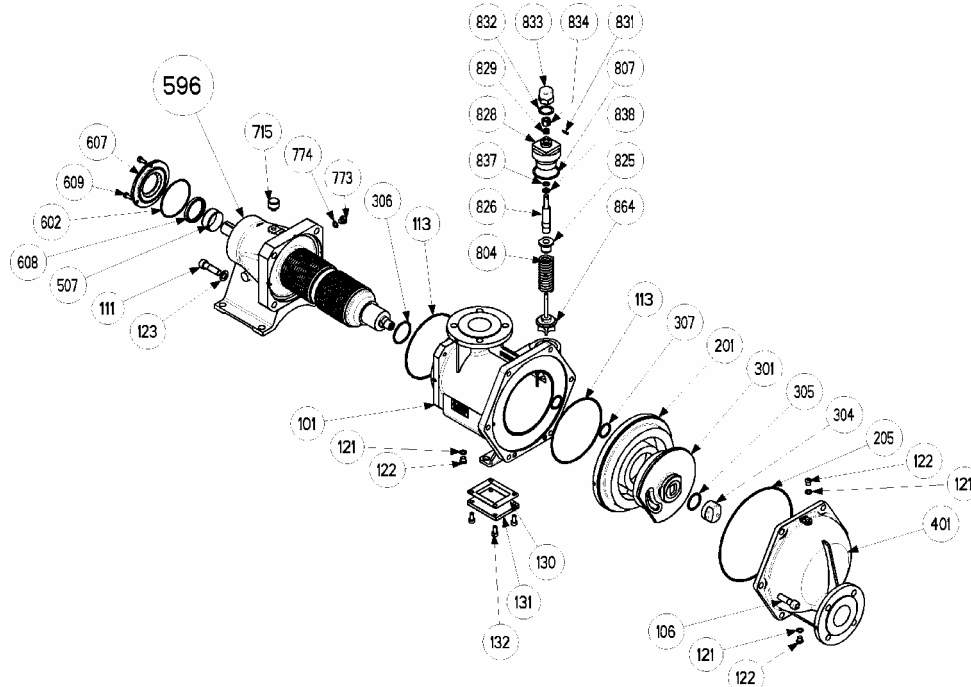
PUMP & TRANSMISSION

(See Instructions 1001-E00 for Installation, Operation and Maintenance)

967007
Page 1 of 1

PARTS LIST
1001-E02

Section	1000
Effective	May 2005
Replaces	February 2001



Kit No.	Ref. No.	Description	Parts per Pump	Part No.	Kit No.	Ref. No.	Description	Parts per Pump	Part No.
100		Inlet Sleeve w/ ANSI Compatible 150# Flange	1	Y311512	820		Bypass Assembly without Spring	1	Note 1:
	101	Inlet Sleeve				864*	Valve	(1)	
		Inlet Sleeve w/ ANSI Flange & Heat Jacket		Y311513		807*	Seal Ring	(1)	
	101*	Inlet Sleeve	(1)			825*	Spring Support	(1)	
	130*	Jacket Cover Plate Gasket	(1)			826*	Adjusting Screw	(1)	
	131*	Heat Jacket Cover Plate	(1)			828*	R/V Cover	(1)	
119	132*	Capscrews-Heat Jacket Cover Plate	(4)			829*	Spring	(1)	
		C12-A & C18-A Bolt Kit-consists of:	1	Y311757		831*	Pin	(1)	
		C12-A & C18-A w/ Heat Jacket Bolt Kit-consists of:		Y311758		832*	Flat Seal	(1)	
	106*	Hex Socket Bolts	(6)			833*	Cap	(1)	
	111*	Inlet Sleeve Stud	(4)			834*	Adjusting Nut	(1)	
200	123*	Washer	(4)			837*	Seal Ring	(1)	
	132*	Screw (With Heat Jacket Only)	(4)			838*	Washer	(1)	
		C12-A Cylinder & Disc Assembly – consists of:	1	Y312586					
		C18-A Cylinder & Disc Assembly – consists of:		Y311775					
596	201*	Cylinder	(1)						
	301*	Disc	(1)						
	304*	Disc Nut	(1)						
009	401	Cover Plate w/ ANSI Compatible 150# Flange	1	Y218142	206		Pump Seal Kit- FKM (std)-consists of:		Y31151
		Transmission Seal Kit-consists of:	1	Y311594			Pump Seal Kit-PTFE Encaps.-consists of:	1	Y31190
	507*	Bushing	(1)				Pump Seal Kit- FKM - Heat Jacket Pump		Y31151
	602*	Seal Ring	(1)				Pump Seal Kit-PTFE Encaps.- Heat Jacket		Y31190
	608*	Lip Seal	(1)			113*	Seal Ring	(2)	
	609*	Screws	(3)			130*	Jacket Cover Plate Gasket	(1)	
008		Transmission Plug Kit-consists of:	1	Y311441		205*	Seal Ring	(1)	
	715*	Filler Plug	(1)			305*	Seal Ring	(1)	
	773*	Drain Plug	(1)			306*	Seal Ring	(2)	
140	774*	Plug Washer	(1)			307*	Seal Ring	(1)	
		Pump Drain Plug Set	1	Y311776	807*	Seal Ring	(1)		
	121	Metallic Seal Ring	(2)		832*	Flat Seal	(1)		
	122	Plug	(2)		837*	Seal Ring	(1)		
					804	Relief Valve Spring			
						.8 – 2.5 Bars (12 – 36 psi)		Y20113	
						2 – 6.5 Bars (29 – 79/94 psi)	1	Y20117	
						5 – 8 Bars (72 – 116 psi) C12-A ONLY		Y21237	

Keep this parts list with Installation, Operation and Maintenance

* () Parts included in Kit. **Note 1:** By-pass Assy. w/o Spring – pn. **Y311520** (12-36 psi) C12/C18-A, pn. **Y311881** (29-79 psi) C18-A, pn. **Y311884** (29-94 psi) C12-A, pn. **Y311883** (72-116 psi) C12-A



KI Pumps & Systems, Inc., 206 Enterprise Road, P.O. Box 180287, Delafield, WI 53018-1768
TEL (888) 547 8678 FAX (262) 547 8678 info@kipumps.com www.blackmerpumps.com