

BLACKMER PARTS LIST

PUMP MODELS: C1-I, C2-I

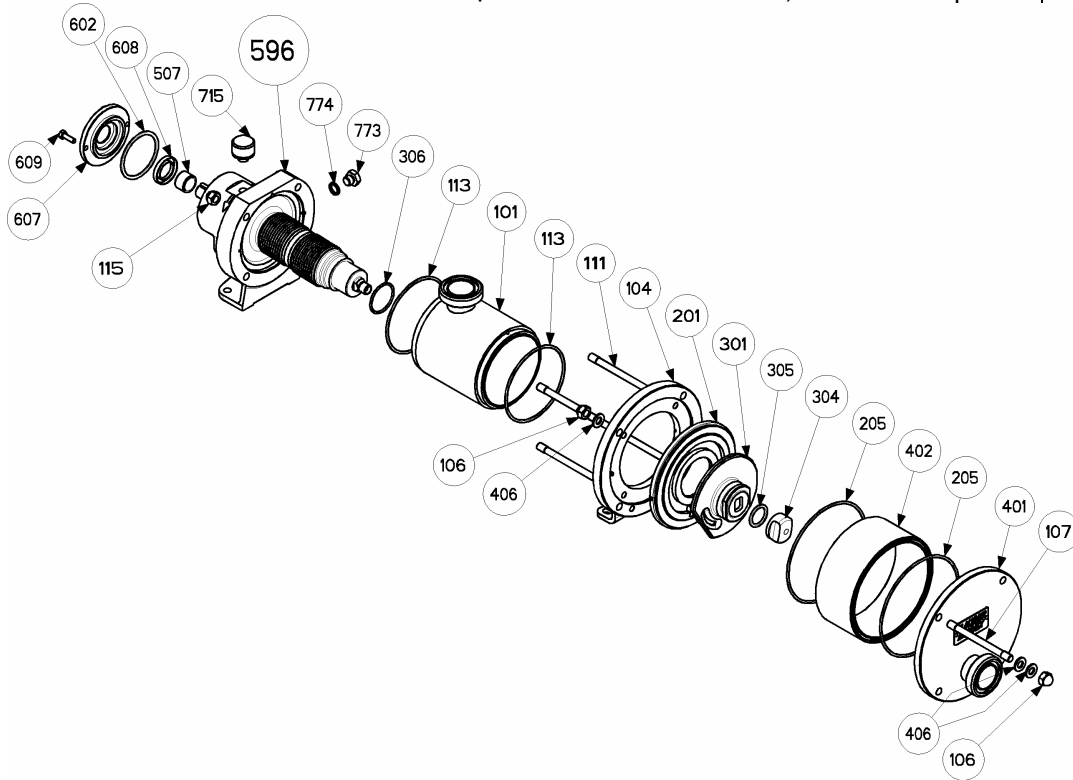
PUMP & TRANSMISSION

(See Instructions 1001-B00 for Installation, Operation and Maintenance)

967004
Page 1 of 1

PARTS LIST
1001-B01

Section	1001
Effective	Sept 2006
Replaces	June 2005



Kit No.	Ref. No.	Description	Parts per Pump	Part No.	Kit No.	Ref. No.	Description	Parts per Pump	Part No.		
100		Inlet Tube with ANSI Flanges	1	Y311969	400		Cover Plate with ANSI Flanges	1	Y311991		
		Inlet Tube with Clamp Flanges		Y311964			Cover Plate with SMS Flanges		Y311932		
		Inlet Tube with SMS Flanges		Y311924			Cover Plate with Clamp Flanges		Y311998		
		Inlet Tube with Cherry Burrel Flanges		Y311959			Cover Plate with Cherry Burrel Flanges		Y312016		
		Inlet Tube & ANSI Flanges & Heat Jackets		Y311986			401* Cover Plate with Flange		(1)		
		Inlet Tube & Clamp Flanges & Heat Jackets		Y311980		402* Spacer	(1)				
		Inlet Tube & SMS Flanges & Heat Jackets		Y311971							
		Inlet Tube & Cherry Burrel Flanges & Heat Jackets		Y311976							
		101* Inlet Tube	(1)		008		Transmission Plug Kit – consists of:	1	Y311441		
		104* Inlet Tube Flange	(1)				715* Filler Plug	(1)			
						773* Drain Plug	(1)				
						774* Plug Washer	(1)				
119		C1-I Stud & Hex Head Nut Kit - consists of:	1	Y311939	206		Pump Seal Kit- FKM (std) – consists of:	1	Y311931		
		C2-I Stud & Hex Head Nut Kit - consists of:		Y311937			Pump Seal Kit –PTFE Encaps. – consists of:		Y312011		
		106* Hex Head Nut	(8)				Pump Seal Kit-FDA FKM – consists of:		Y312012		
		107* Cover Plate Stud	(4)				205* Seal Ring	(2)			
		111* Inlet Tube Stud	(4)				113* Seal Ring	(2)			
		115* Hex Head Nut	(4)				306* Seal Ring	(1)			
		406* Washers (C1-I ONLY)	(12)				305* Seal Ring	(1)			
200		C1-I Cylinder & Disc Assembly – consists of:	1	Y311940	009		Transmission Seal Kit – consists of:	1	Y312368		
		C2-I Cylinder & Disc Assembly – consists of:		Y313391			602* Seal Ring		(1)		
		201* Cylinder	(1)				507* Bushing		(1)		
	301* Disc	(1)				608* Lip Seal	(1)				
304		Disc Nut	1	Y218672							
596		Complete Transmission Assembly – Non Jacketed	1	Y311933							
		– Jacketed		Y312305					609* Screws	(3)	

Keep this parts list with Installation, Operation and Maintenance Instructions 1001-B00.

* () Parts included in Kit



KI Pumps & Systems, Inc., 206 Enterprise Road, P.O. Box 180287, Delafield, WI 53018-1768
TEL (888) 547 8678 FAX (262) 547 8678 info@kipumps.com www.blackmerpumps.com