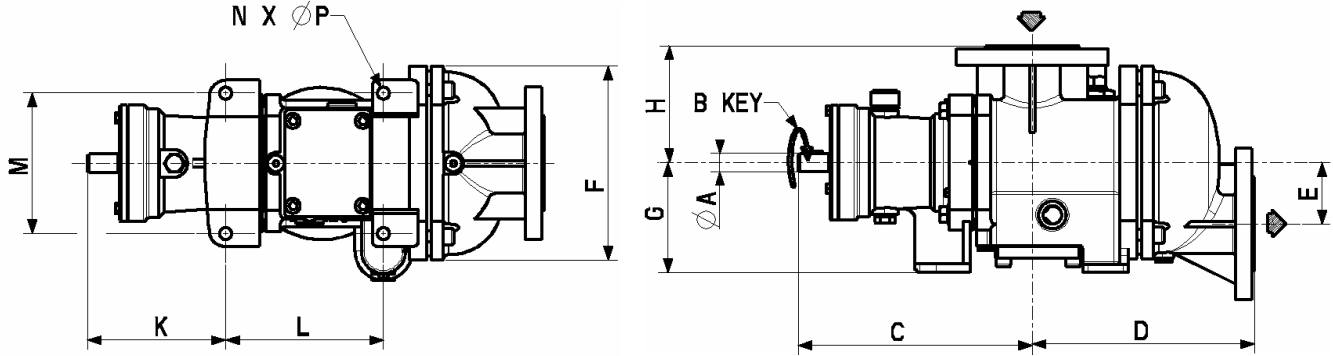




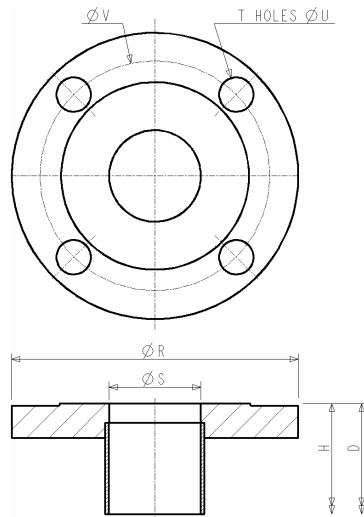
DIMENSIONS
Models: C4-A, C8-A
Ductile Iron Pumps
Unit Style PO

Page Number	1001-104
Effective	March 2004
Replaces	Feb 2001
Section	1001



C4-A & C8-A PUMP DIMENSIONS

		ϕA	B	C	D (C4-A)	D (C8-A)	E	ϕF	G	H	K	L	M	N (qty)	ϕP
Ductile Iron	in	-	-	10 1/32	9 17/32	10 13/64	2 7/16	10	4 23/32	5	5 29/32	6 25/32	5 63/64	-	35/64
	mm	20	6	255	242	259	67	254	120	127	150	172	152	4	14



C4-A & C8-A 2" FLANGE DIMENSIONS

DIMENSIONS	R		S		T	ϕU		ϕV	
	in	mm	in	mm	Quantity	in	mm	in	mm
ANSI Comp.	6 1/2	165	2	50	4	45/64	18	4 3/4	120.5