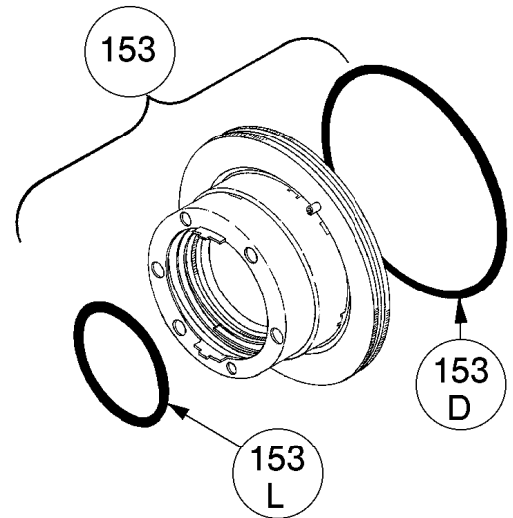


MECHANICAL SEALS

Ref. No.	Part Name	Parts Per Pump	Part No.
153	Mechanical Seal Complete - (Std.) Cast Iron Stationary Seat, Carbon Seal Face, FKM O-Rings. (IVCV)	2	1 331655
	Mechanical Seal Complete - Cast Iron Stationary Seat, PTFE O-Ring, Carbon Seal Face w/ PTFE Seal Ring. (IACT)		331673
153D	O-Ring - Stationary (FKM)	2	701921
	O-Ring - Stationary (PTFE)		702056
153L	O-Ring - Rotating (FKM)	2	701980
	Seal Ring - Rotating (PTFE)		**

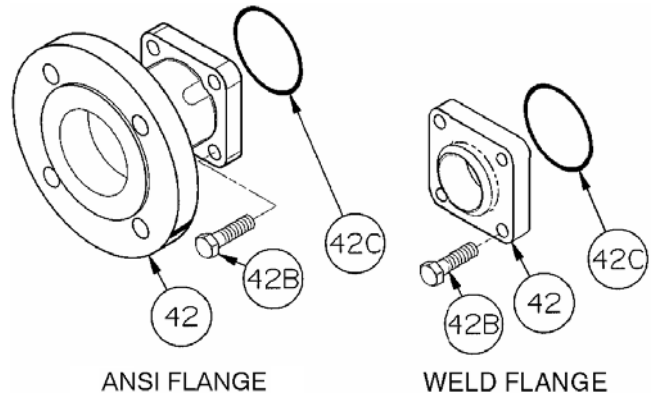
¹ Included in Maintenance Kit

**PTFE Rotating Seal Ring is not available as a separate part.



FLANGE OPTIONS

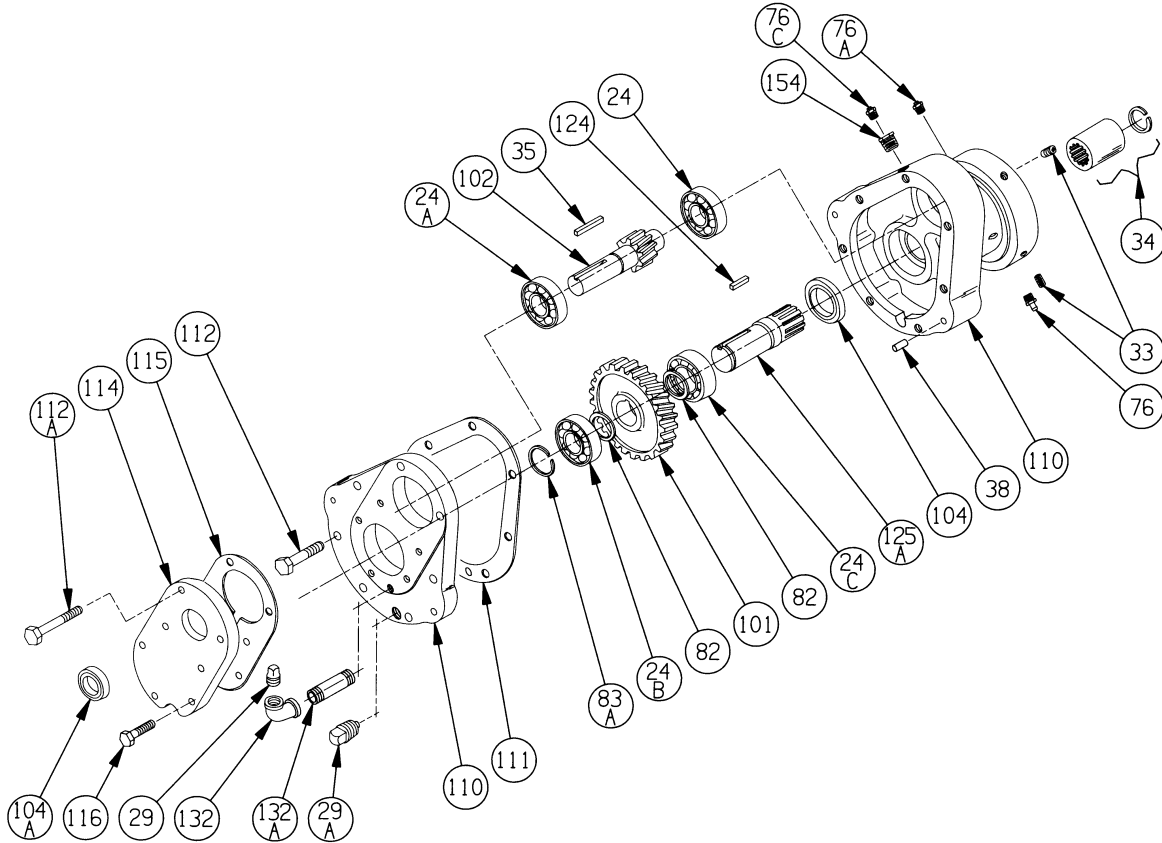
Ref. No.	Part Name	Parts Per Pump	Part No.
42	Flange - 2½" Weld	2	651610
	Flange - 3" ANSI		651617
42B	Capscrews - Weld / ANSI Flange	8	920491
42C	O-Ring - Weld/ANSI Flg. (FKM)	2	701924
	O-Ring - Weld/ANSI Flg. (PTFE)		702079



ANSI FLANGE

WELD FLANGE

HELICAL GEAR REDUCER MODEL: HRO



Ref. No.	Description	Parts per Pump	Part No.	Ref. No.	Description	Parts per Pump	Part No.
24	Bearing	1	903142	102	Pinion & Shaft	1	See Table
24A	Bearing – Shielded	1	903143	104	Oil Seal	1	331925
24B	Bearing	1	903116	104A	Oil Seal	1	331921
24C	Bearing – Shielded	1	903117	110	Gearbox Assembly ¹	1	894041
29	Oil Level Plug	1	908185	111	Gasket – Cover	1	814040
29A	Drain Plug	1	908100	112	Capscrews – Cover	5	920203
33	Set Screw	2	922190	112A	Capscrews – Cover	2	920235
34	Splined Coupling (Includes Snap Ring)	1	906072	114	Closure Plate	1	*
35	Key – Pinion	1	909166	115	Gasket – Closure Plate	1	814042
38	Dowel Pin	2	930739	116	Capscrews – Closure Plate	5	920178
76	Grease Fitting	1	317815	124	Key – Splined Shaft	1	909164
76A	Grease Relief & Vent Fitting	1	701992	125A	Splined Shaft	1	704050
76C	Fill & Vent Plug	1	701988	154	Bushing	1	908794
82	Spacer Ring	2	374041	132	Elbow	1	908603
83A	Retaining Ring	2	903603	132A	Pipe Nipple	1	908302
101	Gear	1	See Table				

* Non-saleable item – included with Gearbox Assembly. ¹ Gearbox Assembly includes Ref. Nos. 38, 110, 111, 112, 112A, 114, 115 & 116.

GEAR AND PINION SELECTION TABLE

RATIO	RPM	102 PINION NO.	QTY	101 GEAR NO.	QTY
2.24	780	915118	1	919918	1
2.72	640	915116	1	919916	1
3.32	520	915117	1	919917	1
4.10	420	915120	1	919920	1
4.94	350	915121	1	919921	1

NOTE: Nominal speed is based on 1740 rpm input.

NOTES



KI Pumps & Systems, Inc., 206 Enterprise Road, P.O. Box 180287, Delafield, WI 53018-1768
TEL (888) 547 8678 FAX (262) 547 8678 info@kipumps.com www.blackmerpumps.com