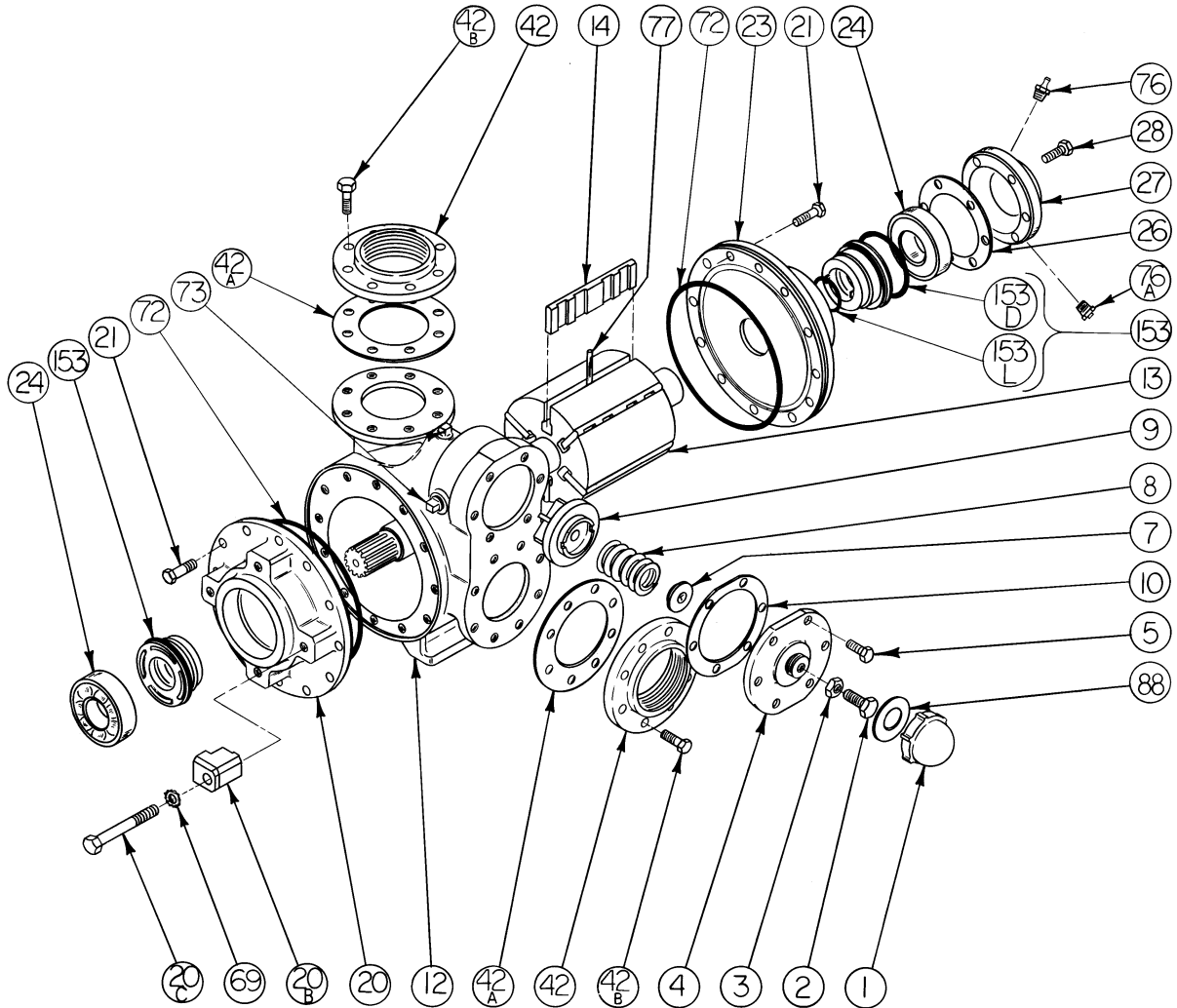


BLACKMER PARTS LIST

PUMP MODEL: GX4B

Section 101
Effective Sept 2007
Replaces Jan 2005

See Instructions 101-B00 for Installation, Operation and Maintenance



Ref. No.	Description	Parts per Pump	Part No.	Ref. No.	Description	Parts per Pump	Part No.
1	Cap - Relief Valve (R/V)	1	413952	20C	Capscrews - Clamp	4	920720
2	Adjusting Screw - R/V	1	436307	21	Capscrews - Head	24	920510
3	Locknut - Adjusting Screw	1	436355	23	Head - Outboard	1	031908
4	Cover - R/V	1	411903	24	Ball Bearing	2	903182
5	Capscrew - R/V Cover	6	920351	26	Gasket - Bearing Cover	1	386950
7	Spring Guide - R/V	1	426355	27	Bearing Cover	1	041905
8	Spring - R/V (35-50 psi)	1	476303	28	Capscrews - Bearing Cover	6	920491
	Spring - R/V (51-75 psi)		476310	42	Flange - 4" NPT (Std.)*	2	651900
	Spring - R/V (76-110 psi)		476305	42A	Gasket - NPT Flange (Std.)	2	381904
9	Valve - R/V (Std.)	1	456315	42B	Capscrews - NPT Flange (Std.)	16	920532
	Valve - R/V (Nickel Plated)		456300	69	Lockwasher - Clamp	4	909635
10	Gasket - R/V Cover	1	531903	72	O-Ring - Head (FKM) (Std.)	2	702024
12	Cylinder	1	021906		O-Ring - Head (PTFE)		702093
13	Rotor & Shaft	1	261951	73	Gage Plug	2	908198
14	Vane - Duravane (Std.)	6	091924	76	Grease Fitting	1	317815
	Vane - EC Cast Iron		091952	76A	Grease Relief Fitting	1	701992
	Vane - EC Laminate		091931	77	Push Rod	3	121905
20	Head - Inboard	1	031910	88	Gasket - R/V Cap	1	533908
20B	Clamp	4	834011		Kit - Maintenance		898911

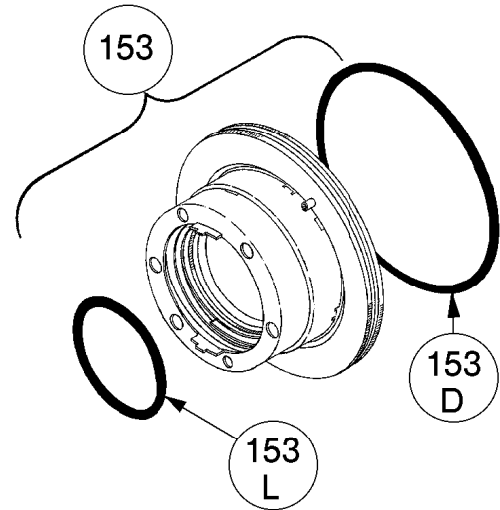
* Included in Maintenance Kit Keep this parts list with the Installation, Operation and Maintenance Instructions.
 * See Page 2 for Weld / ANSI flange options. SS = Stainless Steel. EC = Extra-Clearance.

MECHANICAL SEALS

Ref. No.	Part Name	Parts Per Pump	Part No.
153	Mechanical Seals Complete - Cast Iron Stationary Seat, Carbon Seal Face, FKM O-Rings. (IVCV) (Std.)	2	¹ 336982
	Cast Iron Stationary Seat, PTFE O-Ring, Carbon Seal Face w/ PTFE Seal Ring. (IACT)		331973
153D	O-Ring - Stationary (FKM)	2	711932
	O-Ring - Stationary (PTFE)		702090
153L	O-Ring - Rotating (FKM)	2	701967
	Seal Ring - Rotating (PTFE)		**

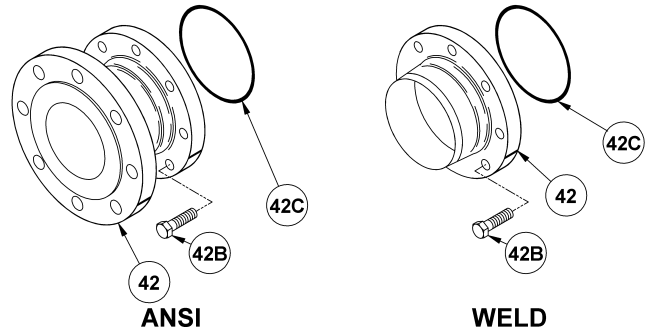
¹ Included in Maintenance Kit

**PTFE Rotating Seal Ring is not available as a separate part.

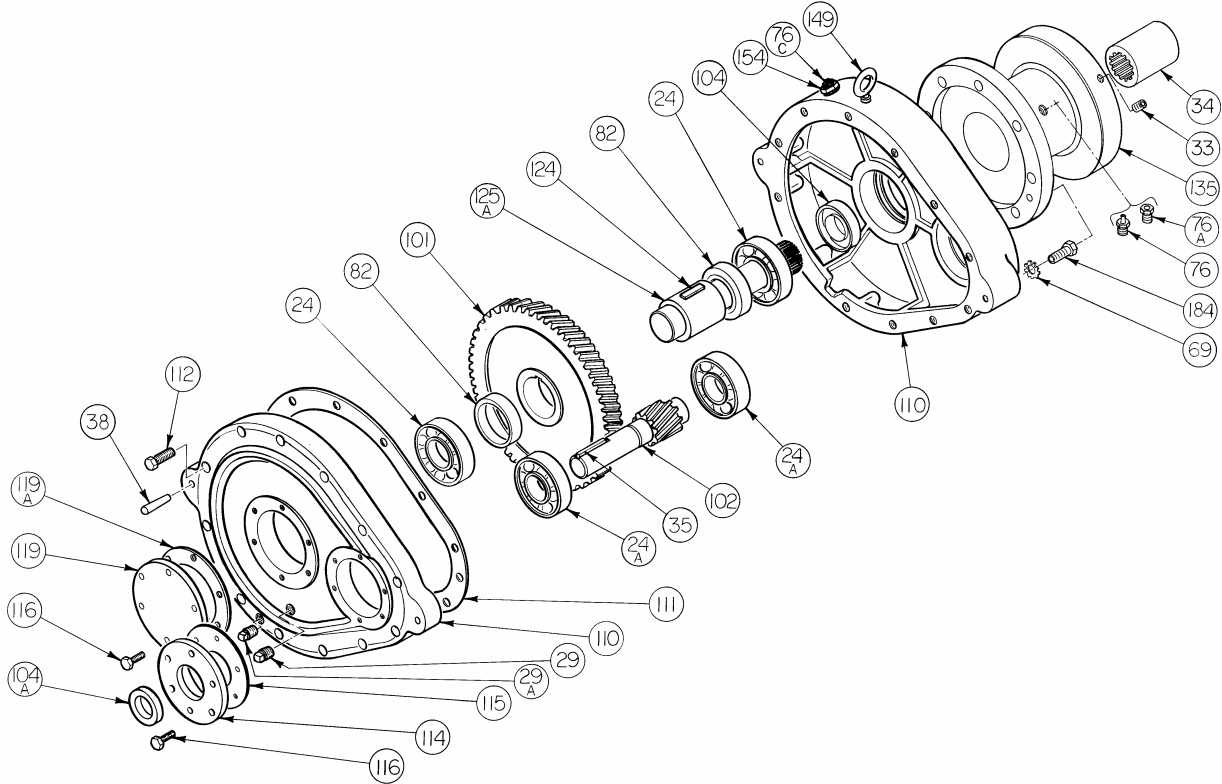


FLANGE OPTIONS

Ref. No.	Part Name	Parts Per Pump	Part No.
42	Flange - 4" Weld	2	651906
	Flange - 4" ANSI		651917
42B	Capscrews - Weld / ANSI Flange	8	920532
42C	O-Ring - Weld/ANSI Flg. (FKM)	2	702238
	O-Ring - Weld/ANSI Flg. (PTFE)		702239



HELICAL GEAR REDUCER MODEL: HRB



Ref. No.	Description	Parts per Pump	Part No.	Ref. No.	Description	Parts per Pump	Part No.
24	Bearing	2	903130	104A	Oil Seal	1	331909
24A	Bearing	2	903150	110	Gearbox Assembly ¹	1	894011
29	Oil Level Plug	1	908198	111	Gasket - Cover	1	814010
29A	Drain Plug	2	908100	112	Capscrews - Cover	12	920381
33	Set Screw	2	922200	114	Closure Plate - Input	1	*
34	Splined Coupling (Includes Snap Ring)	1	906082	115	Gasket - Input Closure Plate	1	814011
35	Key - Pinion	1	909177	116	Capscrews - Closure Plate	12	920073
38	Dowel Pin	2	930739	119	Closure Plate - Blind	1	*
69	Lockwasher	6	909630	119A	Gasket - Blind Closure Plate	1	814012
76	Grease Fitting	1	317815	124	Key - Splined Shaft	1	909179
76A	Grease Relief & Vent Fitting	1	701992	125A	Splined Shaft	1	704020
76C	Fill & Vent Plug	1	701988	135	Spool	1	834012
82	Spacer Ring	2	374011	149	Eyebolt	1	922450
101	Gear	1	See Table	154	Bushing	1	908794
102	Pinion & Shaft	1	See Table	184	Capscrew - Spool	6	920540
104	Oil Seal	1	331930				

* Non-saleable item - included with Gearbox Assembly.

¹ Gearbox Assembly includes Ref. Nos. 38, 110, 111, 112, 112A, 114, 115 & 116.

GEAR AND PINION SELECTION TABLE

RATIO	RPM	102 PINION NO.	QTY	101 GEAR NO.	QTY
2.70	640	915148	1	919948	1
3.52	500	915134	1	919934	1
4.36	400	915135	1	919935	1
5.77	300	915136	1	919936	1
7.71	230	915137	1	919937	1
9.18	190	915149	1	919949	1

NOTE: Nominal speed is based on 1740 rpm input.

NOTES



KI Pumps & Systems, Inc., 206 Enterprise Road, P.O. Box 180287, Delafield, WI 53018-1768
TEL (888) 547 8678 FAX (262) 547 8678 info@kipumps.com www.blackmerpumps.com