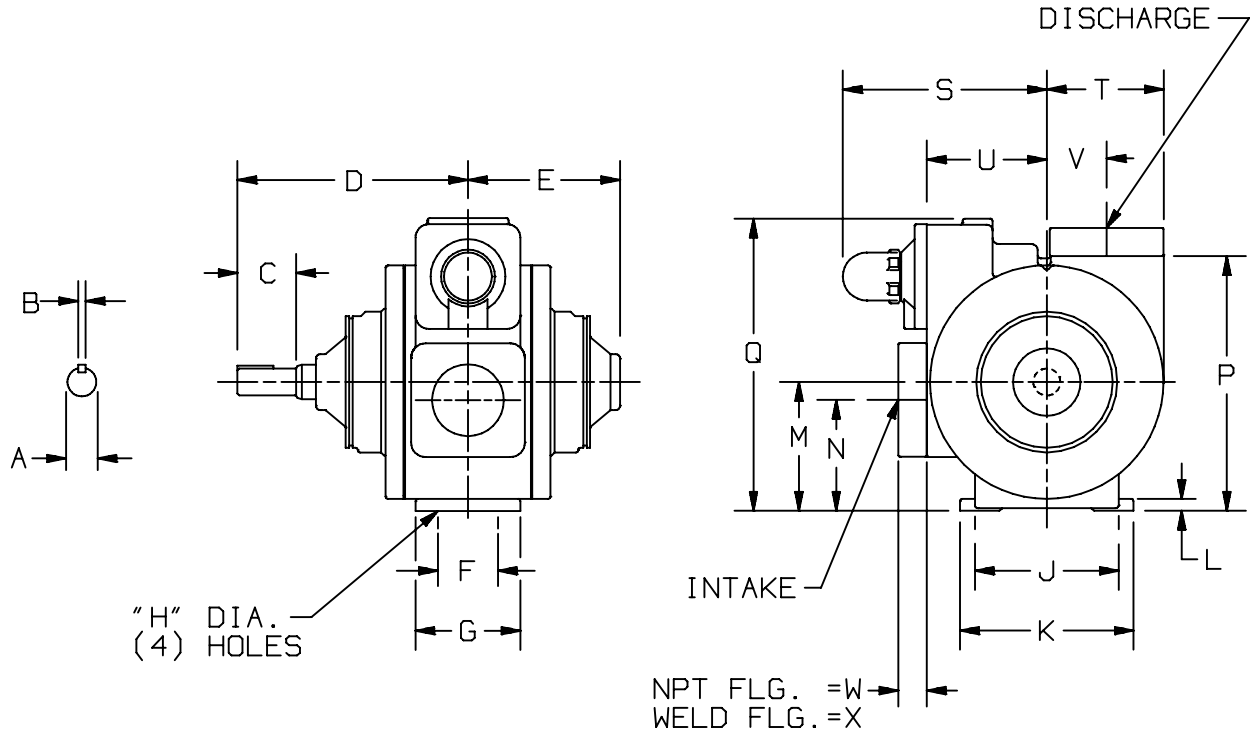




TYPE	SIZE	UNIT STYLE
X	3E	PO

DIMENSIONS 101-111	
Section	101
Effective	February 2003
Replaces	December 1996
Page	/

RIGHT HAND ROTATION. FOR LEFT HAND ROTATION, SHAFT PROJECT\$ON IS OPPOSITE THAT SHOWN.



MOTOR		UNITS	DIMENSIONS									
FRAME SIZE			A	B	C	D	E	F	G	H	J	K
		IN	1 1/8	1/4	2 1/2	9 5/8	6 3/8	2 1/2	4 3/8	5/8	6	7 1/4
		MM	28,6	6,4	63,5	244,5	161,9	63,5	111,1	15,9	152,4	184,2
			L	M	N	P	Q	R	S	T	U	V
		IN	1/2	5 3/8	4 5/8	10 5/8	12 1/4	—	8 9/16	4 7/8	5	2 1/2
		MM	12,7	136,6	117,5	269,9	311,2	—	217,5	123,8	127	63,5
			W	X	Y	Z	AA	BB	CC	DD	EE	FF
		IN	1 1/8	1 3/16	—	—	—	—	—	—	—	—
		MM	28,6	30,2	—	—	—	—	—	—	—	—
			GG	HH					PUMP WEIGHT	WITH STD. FLANGES		
		IN	—	—					LBS	152		
		MM	—	—					KG	69		

NOTE: FOR ANSI AND DIN FLANGE DIMENSIONS, SEE DIMENSION SHEET 101-113



TYPE	SIZE	UNIT STYLE
X	3E	HRA

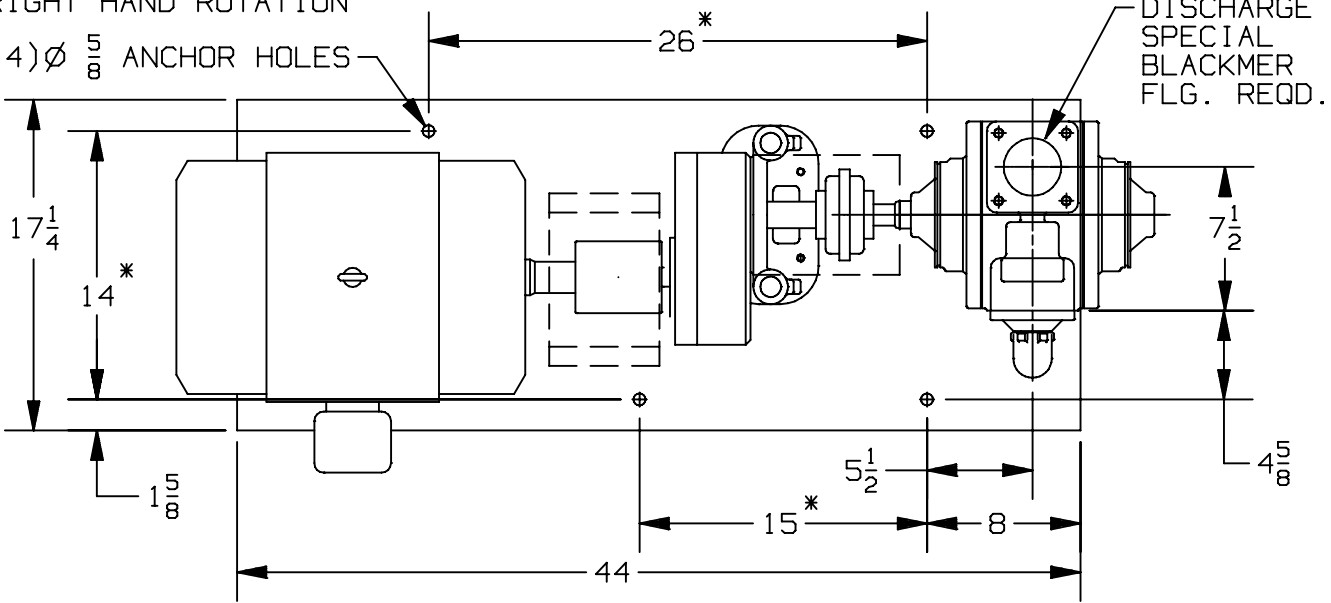
DIMENSIONS 101-111

Section 101
 Effective February 2003
 Replaces March 2000
 Page 2/5

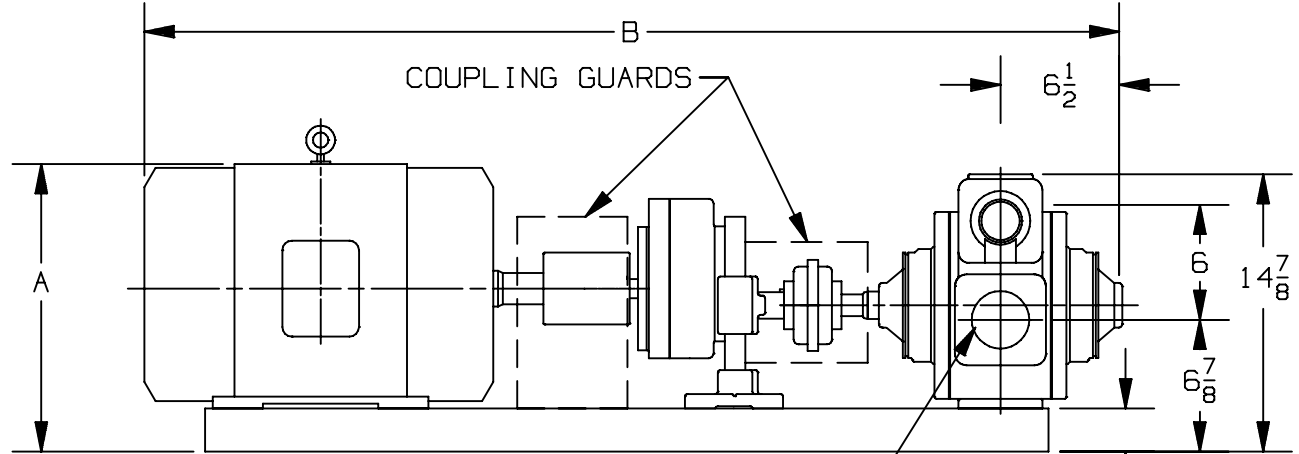
RIGHT HAND ROTATION

(4) $\varnothing \frac{5}{8}$ ANCHOR HOLES

DISCHARGE SPECIAL BLACKMER FLG. REQD.



COUPLING GUARDS



INTAKE SPECIAL BLACKMER FLG. REQD

UNIT DIMENSION LESS FLANGES

* TOLERANCE $\pm \frac{1}{8}$

TOLERANCE ON OTHER DIMENSIONS $\pm \frac{1}{4}$

"A" DIMENSION LESS EYEBOLT

FLG. HT: 3" NPT - 1 1/8
 3" WELD- 1 3/16

MOTOR			BASE NO.	DIMENSIONS		
FRAME SIZE		UNITS		A	B	
182T		901774	IN	11 7/8	48 3/4	
184T		901774	IN	11 7/8	48 3/4	
213T		901774	IN	13 3/8	48 3/4	
215T		901774	IN	13 3/8	49 3/8	
254T		901774	IN	15 5/8	53 1/4	
256T		901774	IN	15 5/8	55	

DIMENSIONS 101-111

Section 101
 Effective February 2003
 Replaces March 2000
 Page 3/5

TYPE

SIZE

UNIT
 STYLE

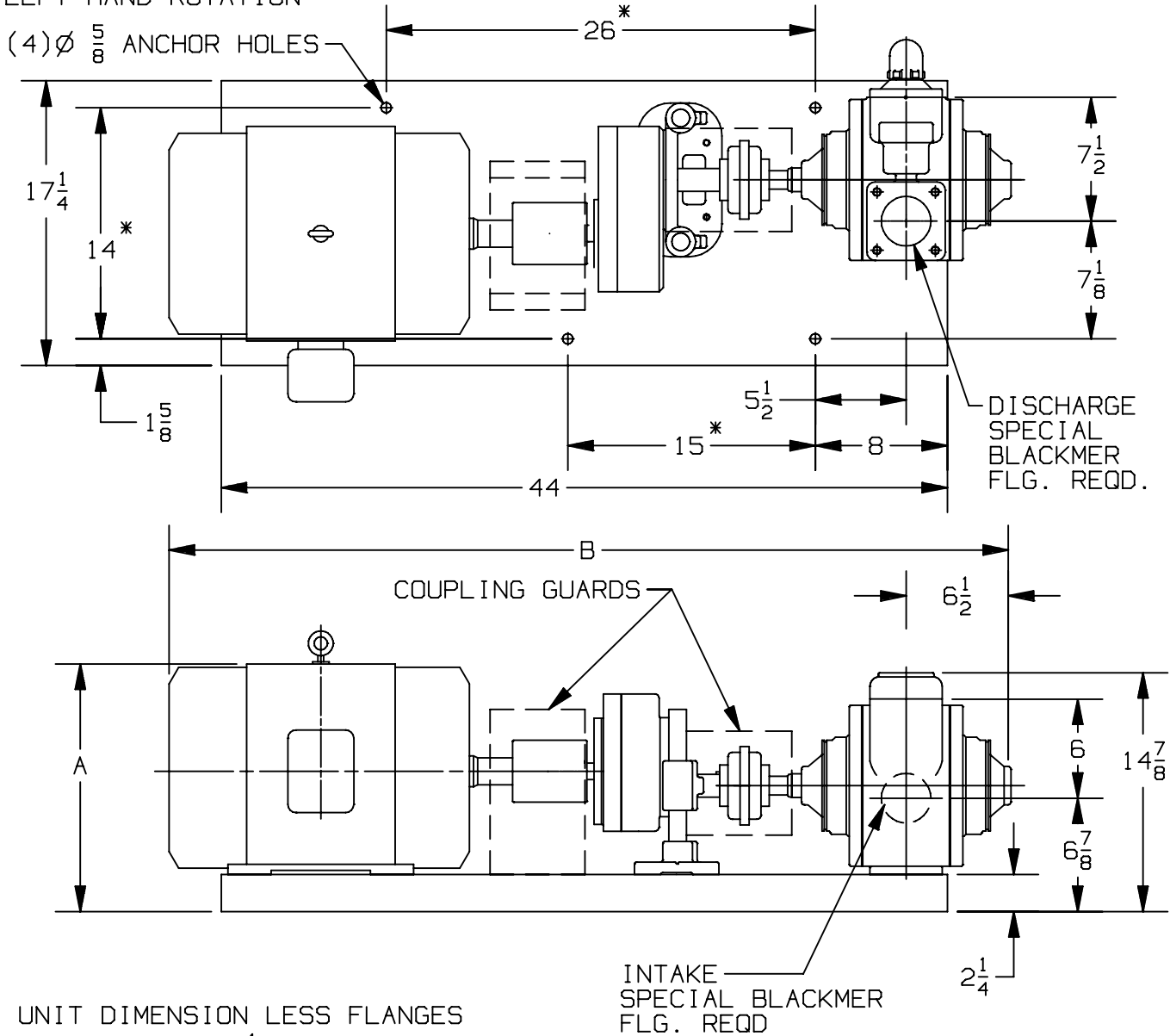
X

3E

HRA



LEFT HAND ROTATION



UNIT DIMENSION LESS FLANGES

* TOLERANCE $\pm \frac{1}{8}$

TOLERANCE ON OTHER DIMENSIONS $\pm \frac{1}{4}$

"A" DIMENSION LESS EYEBOLT

FLG. HT: 3" NPT - 1 1/8
 3" WELD- 1 3/16

MOTOR			BASE NO.	DIMENSIONS		
FRAME SIZE				UNITS	A	B
182T			901774	IN	11 7/8	48 3/4
184T			901774	IN	11 7/8	48 3/4
213T			901774	IN	13 3/8	48 3/4
215T			901774	IN	13 3/8	49 3/8
254T			901774	IN	15 5/8	53 1/4
256T			901774	IN	15 5/8	55

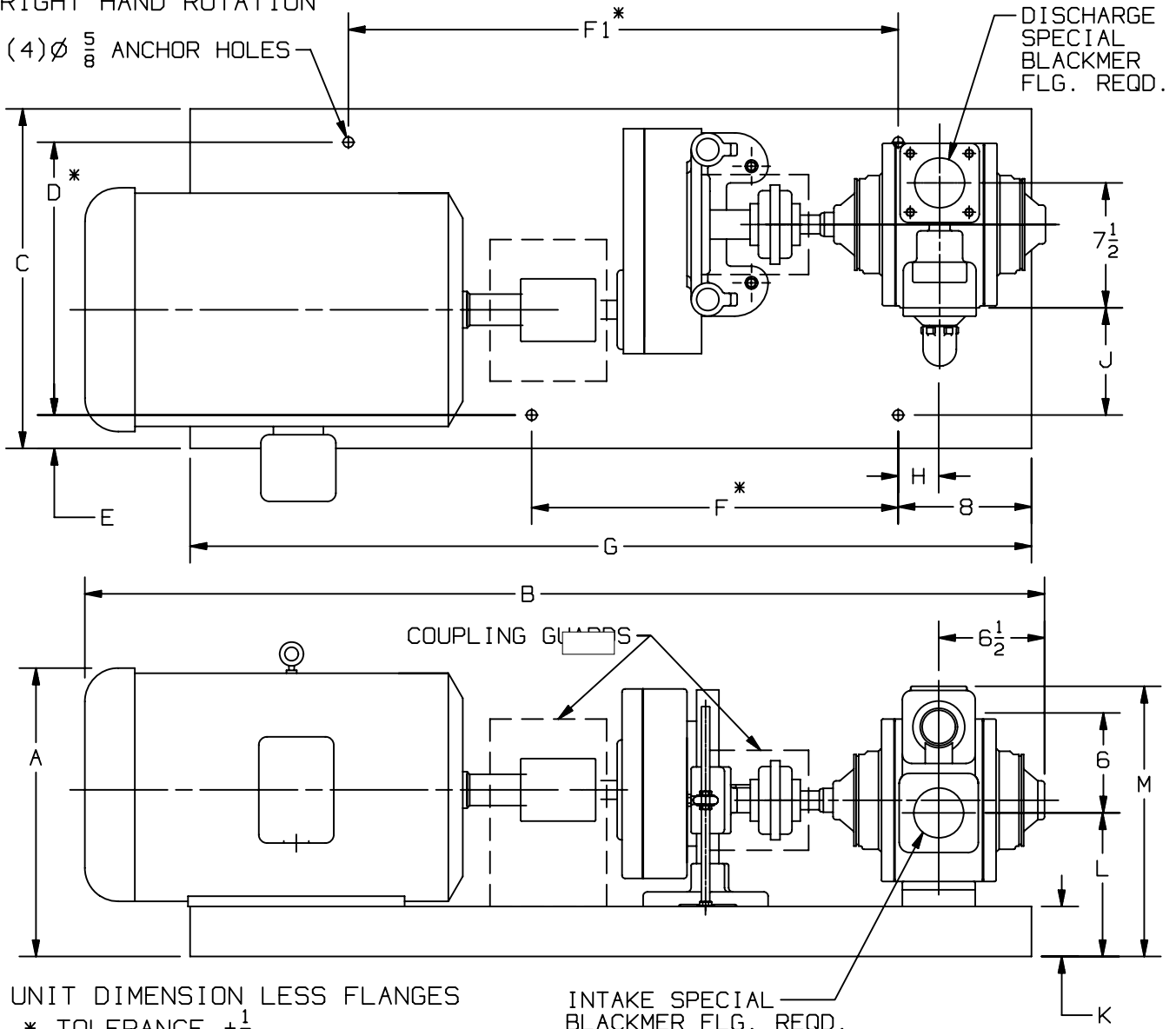


TYPE	SIZE	UNIT STYLE
X	3E	HRB

DIMENSIONS 101-111

Section 101
 Effective March 2006
 Replaces February 2003
 Page 4/5

RIGHT HAND ROTATION



UNIT DIMENSION LESS FLANGES

* TOLERANCE $\pm \frac{1}{8}$


TOLERANCE ON OTHER DIMENSIONS $\pm \frac{1}{4}$

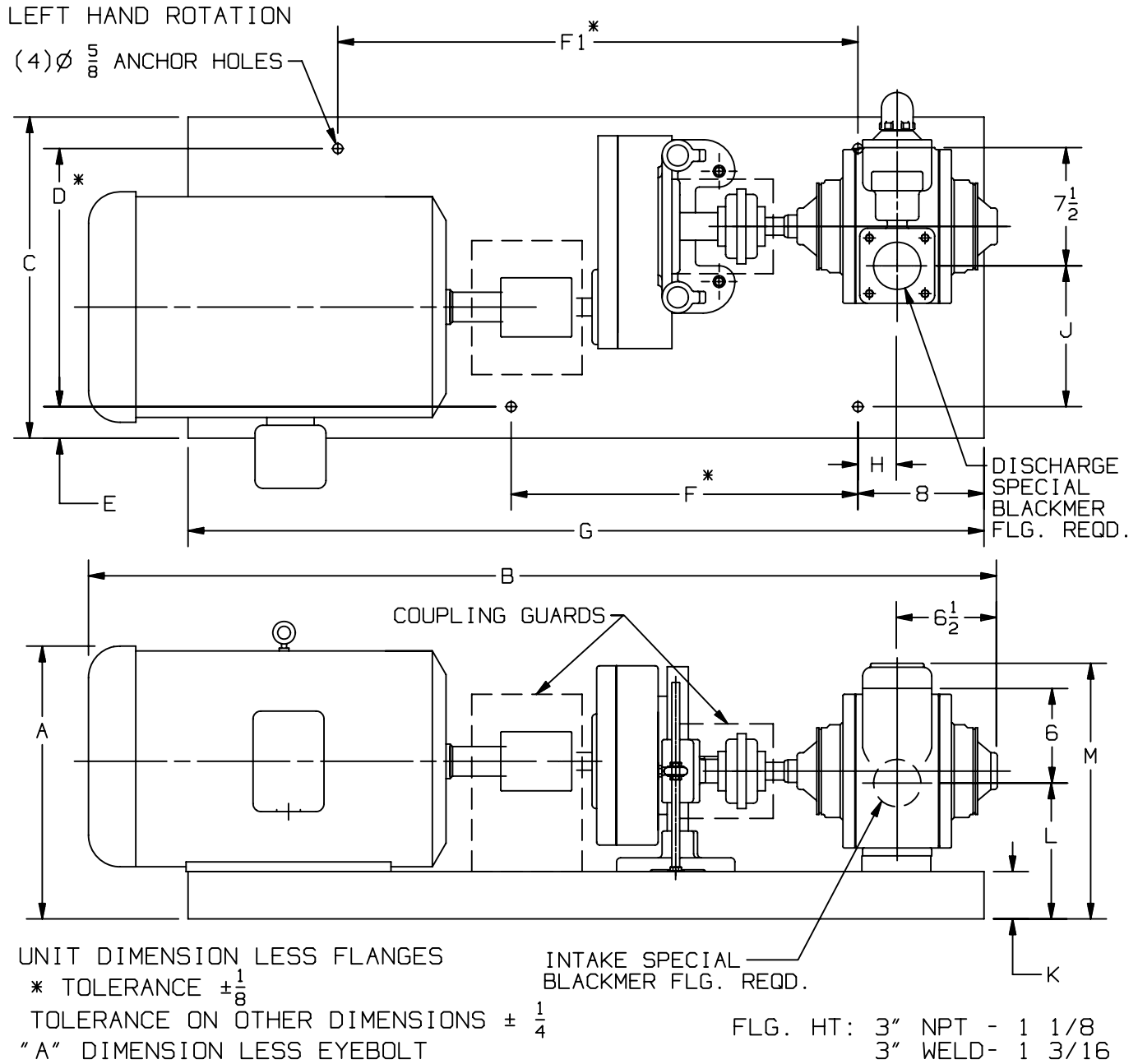
"A" DIMENSION LESS EYEBOLT

INTAKE SPECIAL BLACKMER FLG. REQD.

FLG. HT: 3" NPT - 1 1/8
 3" WELD- 1 3/16

MOTOR			BASE NO.	DIMENSIONS													
FRAME SIZE				UNITS	A	B	C	D	E	F	F1	G	H	J	K	L	M
182T			901772	IN	12 ⁷ / ₈	46 ¹ / ₈	17 ¹ / ₄	14	1 ⁵ / ₈	15	26	44	2 ³ / ₈	4 ⁵ / ₈	2 ¹ / ₄	7 ⁷ / ₈	15 ⁷ / ₈
184T			901772	IN	12 ⁷ / ₈	47 ¹ / ₂	17 ¹ / ₄	14	1 ⁵ / ₈	15	26	44	2 ³ / ₈	4 ⁵ / ₈	2 ¹ / ₄	7 ⁷ / ₈	15 ⁷ / ₈
213T			901772	IN	13 ⁵ / ₈	49 ¹ / ₂	17 ¹ / ₄	14	1 ⁵ / ₈	15	26	44	2 ³ / ₈	4 ⁵ / ₈	2 ¹ / ₄	7 ⁷ / ₈	15 ⁷ / ₈
215T			901772	IN	13 ⁵ / ₈	50 ¹ / ₄	17 ¹ / ₄	14	1 ⁵ / ₈	15	26	44	2 ³ / ₈	4 ⁵ / ₈	2 ¹ / ₄	7 ⁷ / ₈	15 ⁷ / ₈
254T			901773	IN	16 ³ / ₈	54	20 ³ / ₈	16 ³ / ₈	2	22	33	50 ¹ / ₂	2 ¹ / ₂	6 ¹ / ₂	3	8 ⁵ / ₈	16 ³ / ₄
256T			901773	IN	16 ³ / ₈	55 ³ / ₄	20 ³ / ₈	16 ³ / ₈	2	22	33	50 ¹ / ₂	2 ¹ / ₂	6 ¹ / ₂	3	8 ⁵ / ₈	16 ³ / ₄
284T			901773	IN	18	57 ³ / ₄	20 ³ / ₈	16 ³ / ₈	2	22	33	50 ¹ / ₂	2 ¹ / ₂	6 ¹ / ₂	3	8 ⁵ / ₈	16 ³ / ₄
286T			901773	IN	18	59 ¹ / ₄	20 ³ / ₈	16 ³ / ₈	2	22	33	50 ¹ / ₂	2 ¹ / ₂	6 ¹ / ₂	3	8 ⁵ / ₈	16 ³ / ₄

DIMENSIONS 101-111		TYPE	SIZE	UNIT STYLE	
Section	101	X	3E	HRB	
Effective	March 2006				
Replaces	February 2003				
Page 5/5					



MOTOR			BASE NO.	DIMENSIONS													
FRAME SIZE				UNITS	A	B	C	D	E	F	F1	G	H	J	K	L	M
182T			901772	IN	12 ⁷ / ₈	46 ¹ / ₈	17 ¹ / ₄	14	1 ⁵ / ₈	15	26	44	2 ³ / ₈	7 ¹ / ₈	2 ¹ / ₄	7 ⁷ / ₈	15 ⁷ / ₈
184T			901772	IN	12 ⁷ / ₈	47 ¹ / ₂	17 ¹ / ₄	14	1 ⁵ / ₈	15	26	44	2 ³ / ₈	7 ¹ / ₈	2 ¹ / ₄	7 ⁷ / ₈	15 ⁷ / ₈
213T			901772	IN	13 ⁵ / ₈	49 ¹ / ₂	17 ¹ / ₄	14	1 ⁵ / ₈	15	26	44	2 ³ / ₈	7 ¹ / ₈	2 ¹ / ₄	7 ⁷ / ₈	15 ⁷ / ₈
215T			901772	IN	13 ⁵ / ₈	50 ¹ / ₄	17 ¹ / ₄	14	1 ⁵ / ₈	15	26	44	2 ³ / ₈	7 ¹ / ₈	2 ¹ / ₄	7 ⁷ / ₈	15 ⁷ / ₈
254T			901773	IN	16 ³ / ₈	54	20 ³ / ₈	16 ³ / ₈	2	22	33	50 ¹ / ₂	2 ¹ / ₂	9	3	8 ⁵ / ₈	16 ³ / ₄
256T			901773	IN	16 ³ / ₈	55 ³ / ₄	20 ³ / ₈	16 ³ / ₈	2	22	33	50 ¹ / ₂	2 ¹ / ₂	9	3	8 ⁵ / ₈	16 ³ / ₄
284T			901773	IN	18	57 ³ / ₄	20 ³ / ₈	16 ³ / ₈	2	22	33	50 ¹ / ₂	2 ¹ / ₂	9	3	8 ⁵ / ₈	16 ³ / ₄
286T			901773	IN	18	59 ¹ / ₄	20 ³ / ₈	16 ³ / ₈	2	22	33	50 ¹ / ₂	2 ¹ / ₂	9	3	8 ⁵ / ₈	16 ³ / ₄