

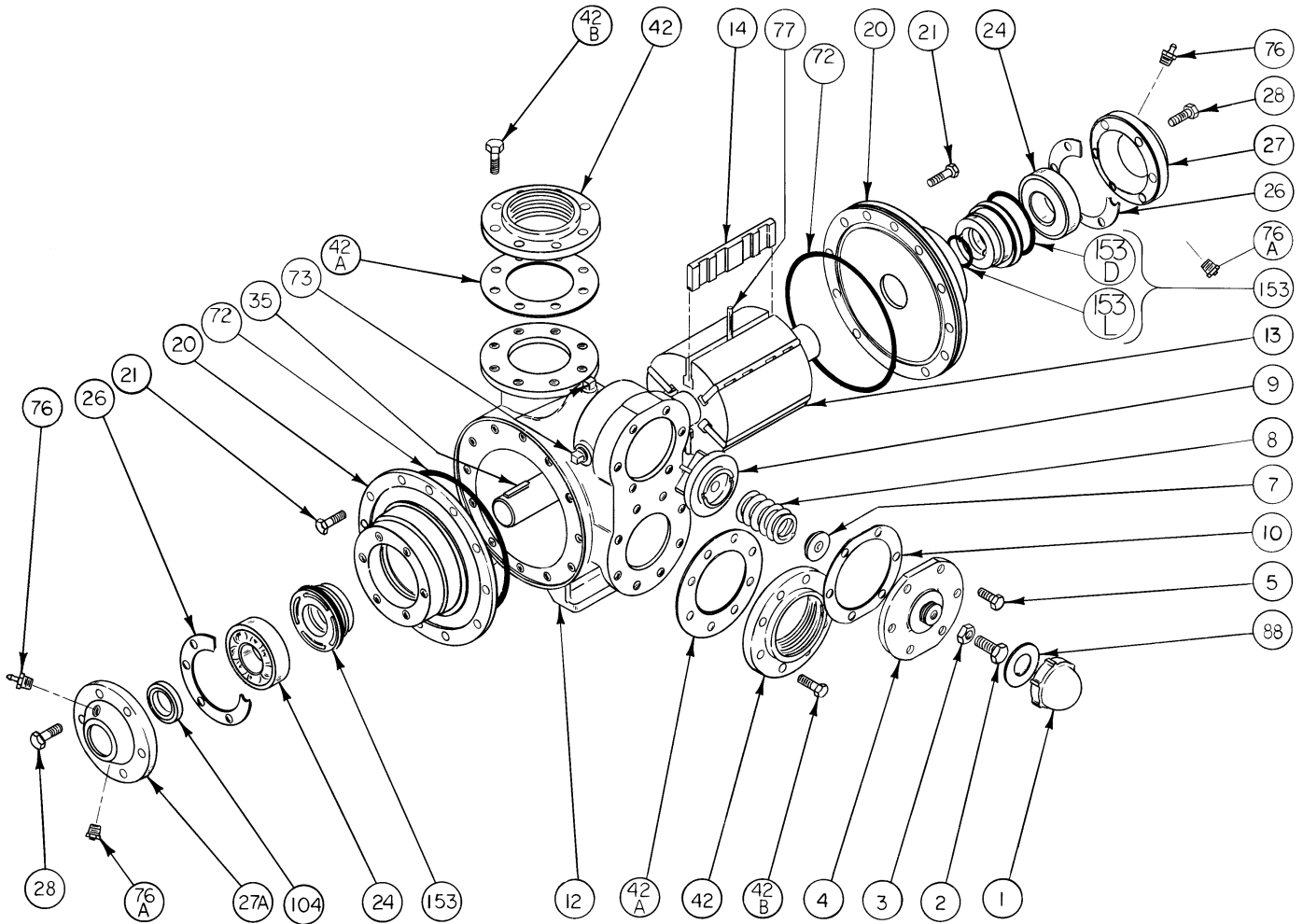
BLACKMER PARTS LIST

PUMP MODEL: X4B

961921 **PARTS LIST**
Page 1 of 2 **101-B08**

Section 101
Effective Sept 2007
Replaces Dec 2006

See Instructions 101-B00 for Installation, Operation and Maintenance



Ref. No.	Description	Parts per Pump	Part No.	Ref. No.	Description	Parts per Pump	Part No.
1	Cap - Relief Valve (R/V)	1	413952	20	Head	2	031908
2	Adjusting Screw - R/V	1	436307	21	Capscrews - Head	24	920510
3	Locknut - Adjusting Screw	1	436355	24	Ball Bearing	2	¹ 903182
4	Cover - R/V	1	411904	26	Gasket - Bearing Cover	2	¹ 386950
5	Capscrew - R/V Cover	6	920351	27	Bearing Cover - Outboard	1	041905
7	Spring Guide - R/V	1	426355	27A	Bearing Cover - Inboard	1	041903
8	Spring - R/V (36-50 psi)	1	476303	28	Capscrews - Bearing Cover	12	920491
	Spring - R/V (51-75 psi)		476310	35	Key - Shaft	1	¹ 909135
	Spring - R/V (76-110 psi)		476305	42	Flange - 4" NPT (Std.)*	2	651900
	Spring - R/V (111-125 psi)			42A	Gasket - NPT Flange (Std.)	2	¹ 381904
9	Valve - R/V (Std.)	1	456315	42B	Capscrews - NPT Flange (Std.)	16	920532
	Valve - R/V (Nickel Plated)		456300	72	O-Ring - Head (FKM) (Std.)	2	¹ 702024
10	Gasket - R/V Cover	1	¹ 531903		O-Ring - Head (PTFE)		702093
12	Cylinder	1	021906	73	Gage Plug	2	908198
13	Rotor & Shaft	1	261950	76	Grease Fitting	2	317815
	EC Rotor & Shaft		261944	76A	Grease Relief Fitting	2	701992
14	Vane - Duravane (Std.)	6	¹ 091924	77	Push Rod	3	¹ 121905
	Vane - EC Cast Iron		091952	88	Gasket - R/V Cap	1	¹ 533908
	Vane - EC Laminate		091931	104	Grease Seal	1	¹ 904190
					Kit - Maintenance		898959

¹ Included in Maintenance Kit Keep this parts list with the Installation, Operation and Maintenance Instructions.

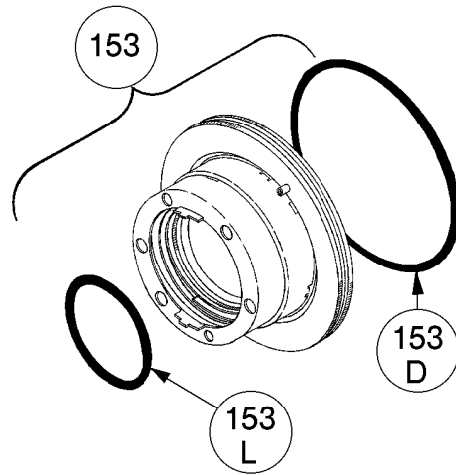
* See Page 2 for Weld / ANSI flange options. SS = Stainless Steel. EC = Extra-Clearance.

MECHANICAL SEALS

Ref. No.	Part Name	Parts Per Pump	Part No.
153	Mechanical Seal Complete - (Std.) Cast Iron Stationary Seat, Carbon Seal Face, FKM O-Rings. (IVCV)	2	¹ 336982
	Mechanical Seal Complete - Cast Iron Stationary Seat, PTFE O-Ring, Carbon Seal Face w/ PTFE Seal Ring. (IAC)		331973
153D	O-Ring - Stationary (FKM)	2	711932
	O-Ring - Stationary (PTFE)		702090
153L	O-Ring - Rotating (FKM)	2	701967
	Seal Ring - Rotating (PTFE)		**

¹ Included in Maintenance Kit

** PTFE Rotating Seal Ring is not available as a separate part.



FLANGE OPTIONS

Ref. No.	Part Name	Parts Per Pump	Part No.
42	Flange - 4" Weld	2	651906
	Flange - 4" ANSI		651917
42B	Capscrews - Weld / ANSI Flange	8	920532
42C	O-Ring - Weld/ANSI Flg. (FKM)	2	702238
	O-Ring - Weld/ANSI Flg. (PTFE)		702239

