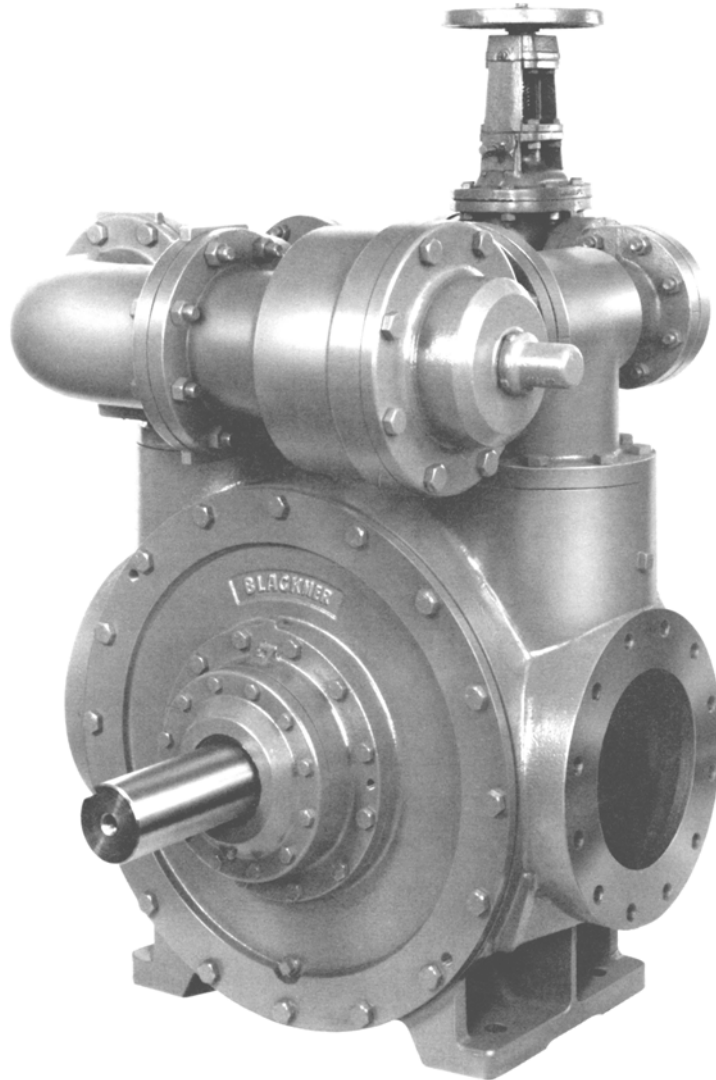


**BLACKMER PARTS LIST**  
**PUMP MODEL: HXL10E**

967604      **PARTS LIST**  
Page 1 of 4      **102-A04**

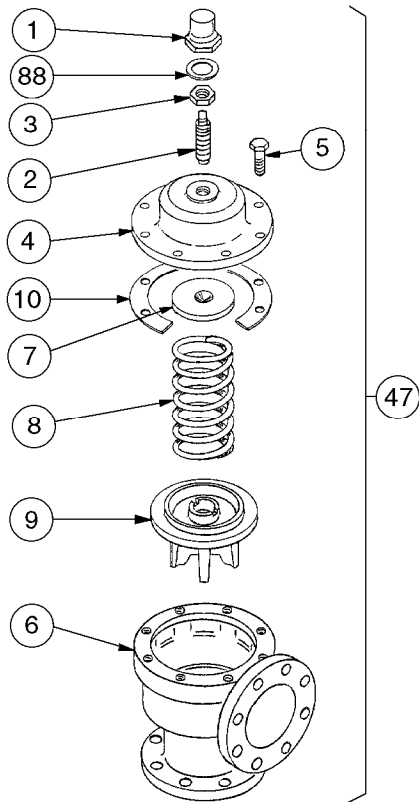
Section	102
Effective	Sept 2007
Replaces	Feb 2004

See Instructions 102-A00 for Installation, Operation and Maintenance



Keep this parts list with Installation, Operation and Maintenance Instructions.

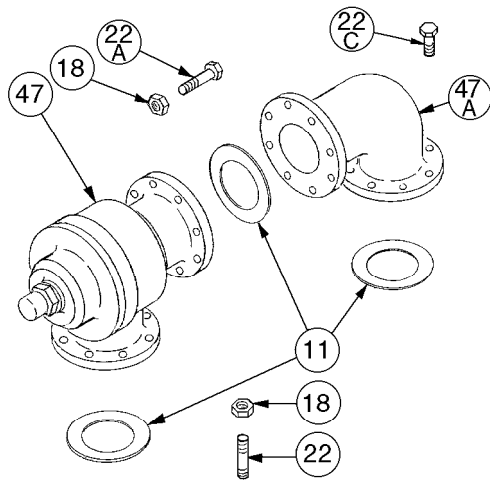




**OPTIONAL EXTERNAL RELIEF VALVE <sup>1</sup>**

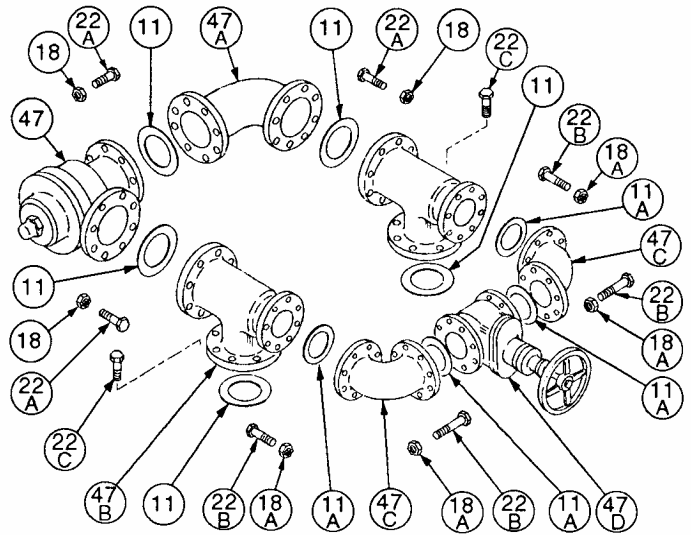
Ref. No.	Part Name	Parts Per Pump	Part No.
1	Cap - Relief Valve (R/V)	1	417710
2	Adjusting Screw - R/V	1	437205
3	Locknut - Adjusting Screw	1	436655
4	Cover - R/V	1	417600
5	Capscrews - R/V Cover	8	920761
6	Body - R/V	1	407600
7	Spring Guide - R/V	1	427250
8	Spring - R/V (51-100 psi)	1	477251
	Spring - R/V (101-150 psi)		*
9	Valve - R/V	1	457250
10	Gasket - R/V Cover	1	537250
47	R/V Assembly - Complete	—	—
88	Gasket - R/V Cap	1	536652

\*Use Springs 477250 and 477251 nested together.



**OPTIONAL INTERNAL RELIEF VALVE <sup>2</sup>**

Ref. No.	Part Name	Parts Per Pump	Part No.
11	Gasket - Flange / R/V	3	387511
18	Nut	10	922875
22	Stud	2	921649
22A	Capscrews	8	920811
22C	Capscrews	14	920780
47A	Elbow Flange	1	908677



**OPTIONAL R/V - MANUAL BYPASS VALVE ASSEMBLY <sup>3</sup>**

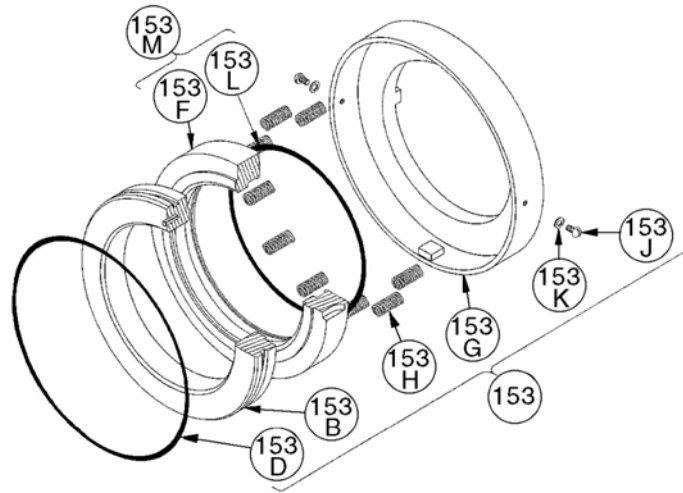
Ref. No.	Part Name	Parts Per Pump	Part No.
11	Gasket - Flange	5	387511
11A	Gasket - Flange	4	386911
18	Nut	24	922875
18A	Nut	32	922865
22A	Capscrews	24	920819
22B	Capscrews	32	920720
22C	Capscrews	16	920780
47A	Elbow Flange	1	908677
47B	Reducing Tee	2	908678
47C	Elbow	2	908676
47D	Gate Valve	1	908067

**NOTES:**

<sup>1</sup>**Optional External Relief Valve** - relieves pressure back to source or upstream piping.

<sup>2</sup>**Optional Internal Relief Valve (typical design)** - relieves pressure back to pump inlet.

<sup>3</sup>**Optional Relief Valve / Manual Bypass** - Relief valve relieves pressure back to pump inlet; manual bypass valve, in parallel with relief valve, recirculates fluid back to suction to reduce flow and pressure.



### MECHANICAL SEAL - STANDARD

Ref. No.	Part Name	Parts Per Pump	Part No.
153	Mechanical Seal Assy. (RVCV)	2	<sup>1</sup> 337665
153B	Stationary Seat (Ni-Resist)	2	337605
153D	O-Ring - Stationary (FKM)	2	711934
153F	Rotating Seal Face (Carbon)	2	337610
153G	Seal Jacket	2	337630
153H	Seal Springs	24	337716
153J	Screw - Seal Jacket	4	922740
153K	Lockwasher - Seal Jacket	4	909608
153L	O-Ring - Rotating (FKM)	2	711932

<sup>1</sup> Included in Maintenance Kit and Rebuild Kit

### MECHANICAL SEAL - OPTIONAL

Ref. No.	Part Name	Parts Per Pump	Part No.
153	Mechanical Seal Assy. (RVBV)	2	337664
153B	Stationary Seat (Ni-Resist)	2	337605
153D	O-Ring - Stationary (FKM)	2	711934
153F	Rotating Seal Face (Bronze)	2	337612
153G	Seal Jacket	2	337630
153H	Seal Springs	24	337716
153J	Screw - Seal Jacket	4	922740
153K	Lockwasher - Seal Jacket	4	909608
153L	O-Ring - Rotating (FKM)	2	711932

### MECHANICAL SEAL - OPTIONAL

Ref. No.	Part Name	Parts Per Pump	Part No.
153	Mechanical Seal Assy. (RVCT)	2	337661
153B	Stationary Seat (Ni-Resist)	2	337605
153D	O-Ring - Stationary (FKM)	2	711934
153F	Rotating Seal Face (Carbon)	2	337610
153G	Seal Jacket	2	337630
153H	Seal Springs	24	337716
153J	Screw - Seal Jacket	4	922740
153K	Lockwasher - Seal Jacket	4	909608
153M	Rotating Seal Face & Seal Ring Assembly (Carbon/PTFE)	2	337644

