

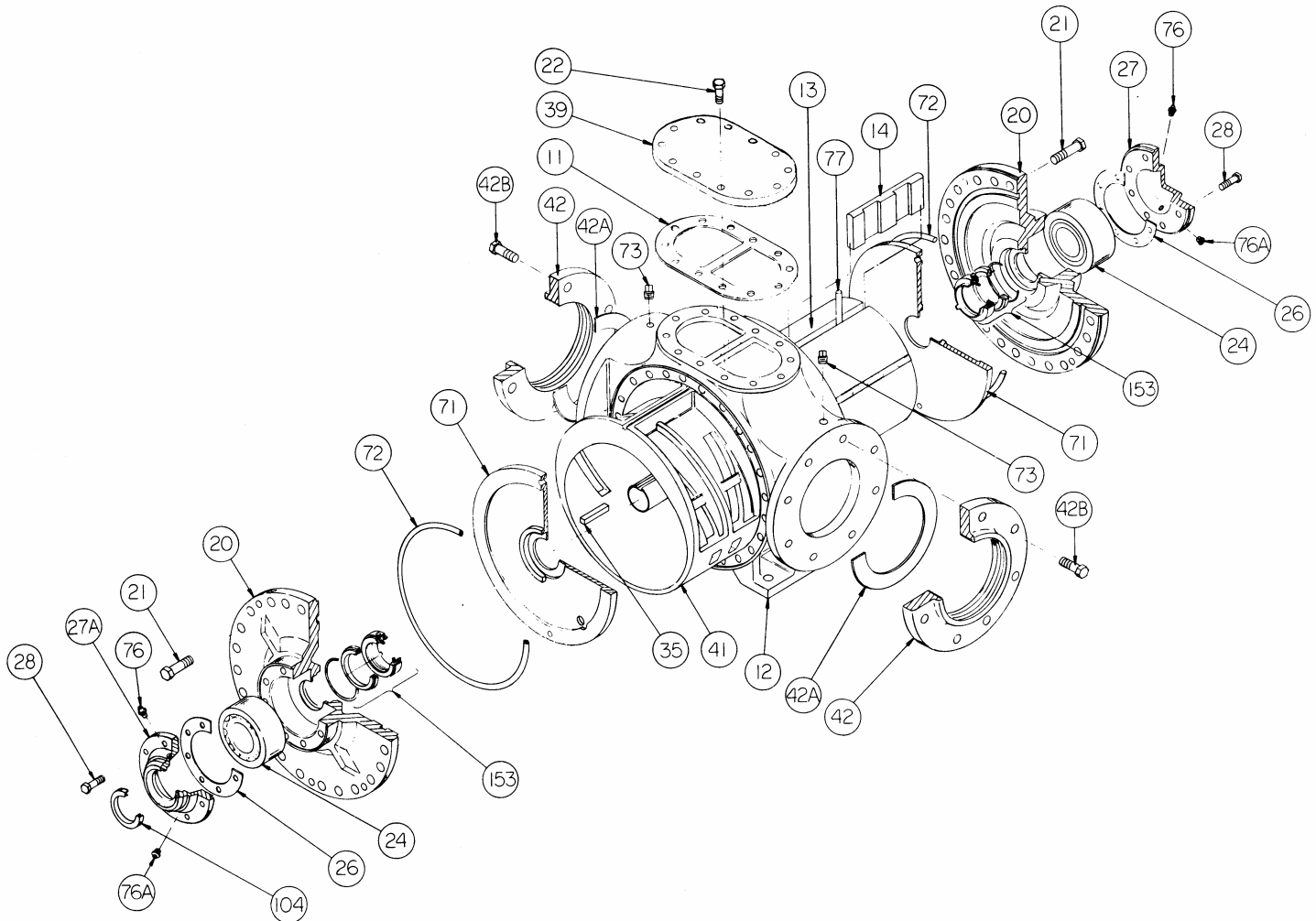
BLACKMER PARTS LIST

PUMP MODEL: HXL6G

967221 **PARTS LIST**
Page 1 of 2 **102-A01**

Section 102
Effective Sept 2007
Replaces Nov 2005

See Instructions 102-A00 for Installation, Operation and Maintenance



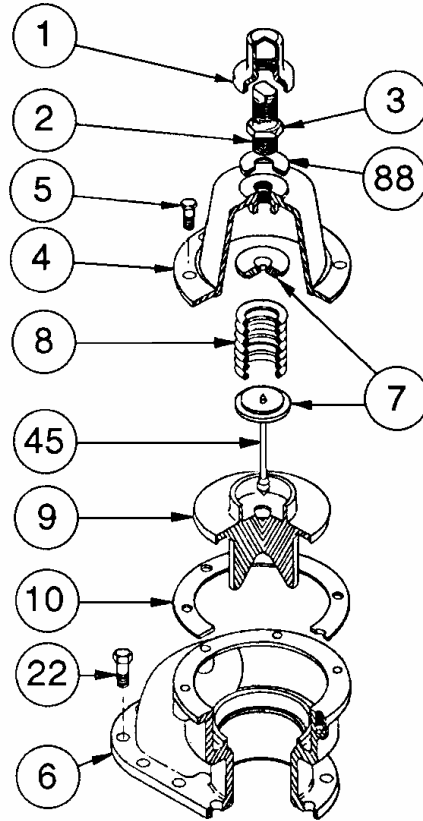
Ref. No.	Description	Parts per Pump	Part No.	Ref. No.	Description	Parts per Pump	Part No.
11	Gasket - Blanking Plate	1	¹ 537252	35	Key - Shaft	1	¹ 909193
12	Casing	1	017218	39	Blanking Plate	1	497208
13	FS Rotor & Shaft	1	² 287239	41	Liner	1	² 187205
	EC Rotor & Shaft		287240	42	Flange	2	657204
14	Vane - EC Laminate (Std.)	6	¹ 097207	42A	Gaskets - Flange	2	¹ 387511
	Vane - EC Cast Iron		097253	42B	Capscrews - Flange	16	920780
	Vane - EC Bronze		097254	71	Discs	2	² 067205
20	Heads	2	037208	72	O-Ring-Head (FKM)	2	¹ 711972
21	Capscrews - Head	32	920680	73	Gage Plug	2	908198
22	Capscrews - Blanking Plate	10	920640	76	Grease Fitting	2	317815
24	Bearings	2	¹ 903269	76A	Grease Relief Fitting	2	701992
26	Gasket - Bearing Cover	2	¹ 386926	77	Push Rod	3	¹ 127207
27	Bearing Cover - Outboard	1	046905	104	Grease Seal	1	¹ 904183
27A	Bearing Cover - Inboard	1	046909	—	Kit — Maintenance	—	898912
28	Capscrews - Bearing Cover	16	920510	—	Kit — Rebuild	—	899012

¹ Included in Maintenance Kit and Rebuild Kit ² Included in Rebuild Kit FS = Full Size EC = Extra Clearance
Keep this parts list with Installation, Operation and Maintenance Instructions.

RELIEF VALVE - OPTIONAL

Ref. No.	Part Name	Parts Per Pump	Part No.
1	Cap – Relief Valve (R/V)	1	417710
2	Adjusting Screw – R/V	1	437205
3	Locknut – Adjusting Screw	1	436655
4	Cover – R/V	1	417200
5	Capscrews – R/V Cover	6	920640
6	Body – R/V	1	407208
7	Spring Guide – R/V	2	427200
8	Spring – R/V (46-80 psi)	1	477805
	SS Spring – R/V (81-125 psi)		477204
9	Valve – R/V	1	457215
10	Gasket – R/V Cover	1	536606
22	Capscrews – R/V Body	10	920640
45	Guide Rod – R/V	1	427205
88	Gasket – R/V Cap	1	536652

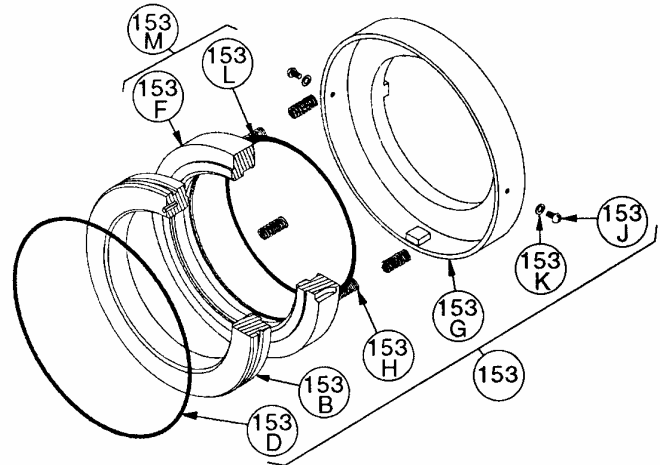
SS = Stainless Steel



MECHANICAL SEAL - STANDARD

Ref. No.	Part Name	Parts Per Pump	Part No.
153	Mechanical Seal Asy. (RVCV)	2	² 337765
153B	Stationary Seat (Ni Resist)	2	337738
153D	O-Ring - Stationary (FKM)	2	701968
153F	Rotating Seal Face (Carbon)	2	337746
153G	Seal Jacket	2	337753
153H	Seal Springs	12	337716
153J	Screw - Seal Jacket	4	922740
153K	Lockwasher - Seal Jacket	4	909608
153L	O-Ring - Rotating (FKM)	2	701921

² Included in Maintenance Kit and Rebuild Kit



MECHANICAL SEAL - OPTIONAL

Ref. No.	Part Name	Parts Per Pump	Part No.
153	Mechanical Seal Asy. (RVBV)	2	337764
153B	Stationary Seat (Ni Resist)	2	337738
153D	O-Ring - Stationary (FKM)	2	701968
153F	Rotating Seal Face (Bronze)	2	337751
153G	Seal Jacket	2	337753
153H	Seal Springs	12	337716
153J	Screw - Seal Jacket	4	922740
153K	Lockwasher - Seal Jacket	4	909608
153L	O-Ring - Rotating (FKM)	2	701921

