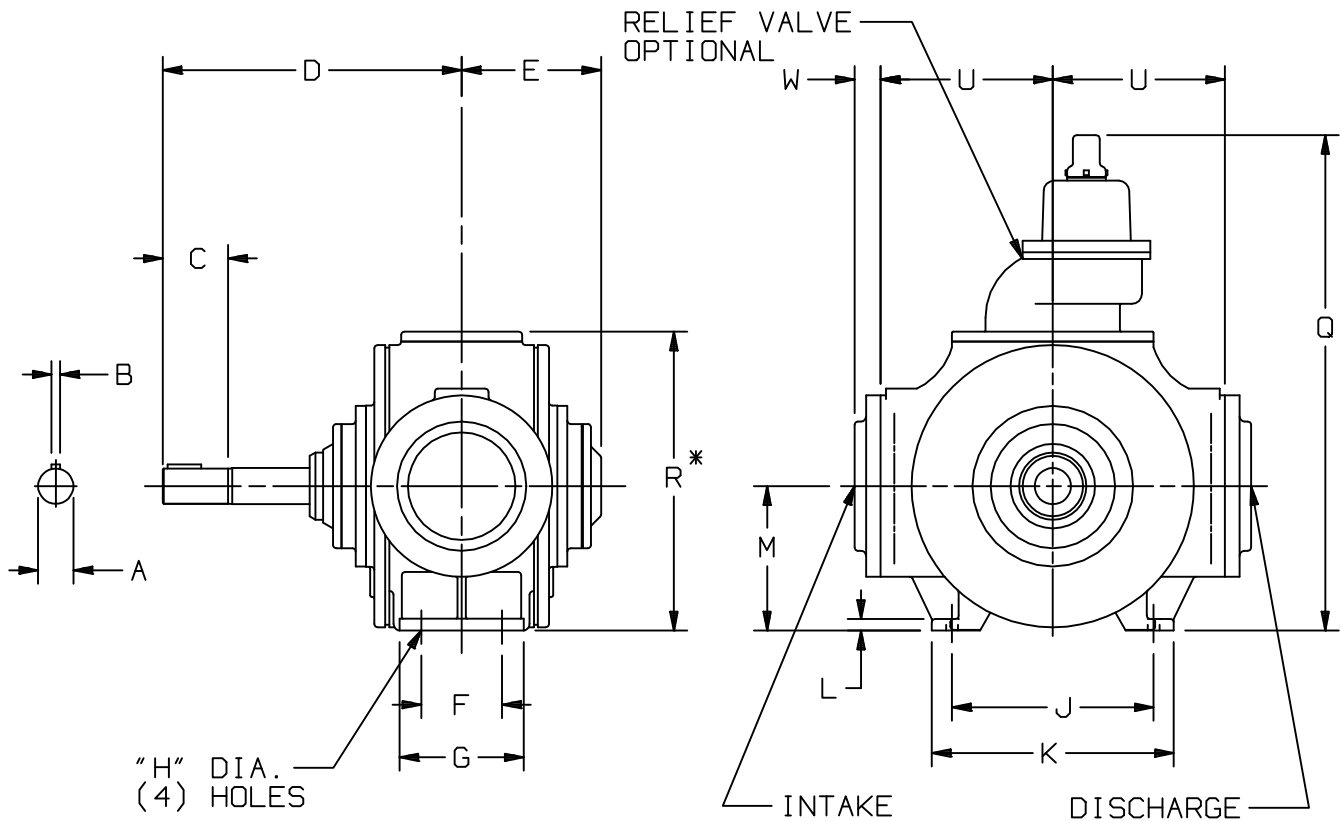




TYPE	SIZE	UNIT STYLE
HXL	6G	PO
HXL	8G	

DIMENSIONS 102-103
 Effective October 2002
 Replaces July 1999

RIGHT HAND ROTATION, FOR LEFT HAND ROTATION, SHAFT PROJECTION IS OPPOSITE THAT SHOWN.



PUMP FLANGES ARE ANSI COMPATIBLE.
 * PUMP HEIGHT LESS RELIEF VALVE

FRAME SIZE	PUMP SIZE	UNITS	DIMENSIONS																	
			A	B	C	D	E	F	G	H	J									
	HXL6	IN	2 1/8	1/2	10 3/8	21	9 11/16	5 1/2	8 1/2	7/8	10 1/2									
		MM	54	12.7	263.5	533.4	246.1	139.7	215.9	22.2	266.7									
	HXL8	IN	2 5/8	5/8	5	22 1/4	10 3/8	6	9 1/4	7/8	15									
		MM	66.7	15.9	127	565.2	263.5	152.4	235	22.2	381									
			K	L	M	N	P	Q	R	S	T									
	HXL6	IN	12 1/2	3/4	9 1/2	—	—	34 1/2	20 1/4	—	—									
		MM	317.5	19.1	241.3	—	—	876.3	514.4	—	—									
	HXL8	IN	18	7/8	10 3/4	—	—	36 7/8	22 3/4	—	—									
		MM	457.2	22.2	273.1	—	—	936.6	577.9	—	—									
			U	V	W															WGT.
	HXL6	IN	10 3/4	—	1 11/16															707 lbs
		MM	273.1	—	42.9															320.6 kg
	HXL8	IN	12 13/16	—	1 15/16															1010 lbs
		MM	325.4	—	49.2															458 kg