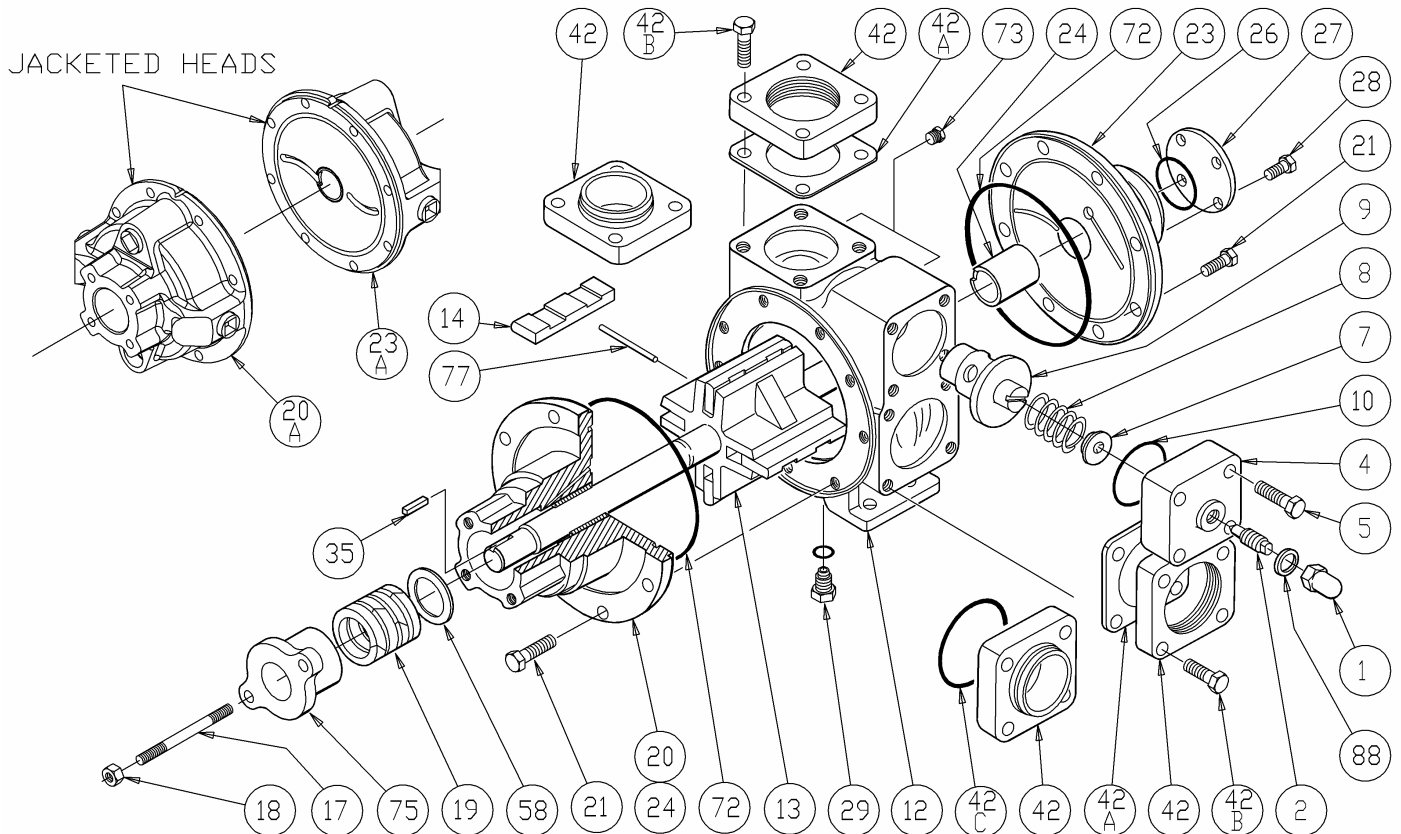


# BLACKMER PARTS LIST

## PUMP MODEL: NP2F

Section 103  
Effective Sept 2007  
Replaces Dec 2005

See Instructions 103-A00 for Installation, Operation and Maintenance



Ref. No.	Description	Parts per Pump	Part No.	Ref. No.	Description	Parts per Pump	Part No.	
1	Cap – Relief Valve (R/V)	1	411452	20	Head & Bushing Asy. - Inboard	1	031476	
2	Adjusting Screw – R/V	1	431401	20A	Head & Bushing Asy. – Inboard (Jacket)	1	031472	
4	Cover – R/V (Std.)	1	411469	21	Capscrews - Head	16	920341	
	Cover – R/V <sup>1</sup>		411468	23	Head & Bushing Asy. - Outboard	1	031477	
5	Capscrew – R/V Cover (Std.)	4	920316	23A	Head & Bushing Asy. – Outboard (Jacket)	1	031473	
	Capscrew – R/V Cover <sup>1</sup>		920401	24	Sleeve Bearing	2	<sup>4</sup> 161400	
7	Spring Guide – R/V	1	423955	26	O-Ring – Bearing Cover (FKM) (Std.)	1	<sup>4</sup> 702209	
8	Spring – R/V (36-50 psi)	1	471415		O-Ring – Bearing Cover (PTFE)		702126	
	Spring – R/V (51-75 psi)		471420	27	Bearing Cover	1	041400	
	Spring – R/V (76-110 psi)		471425	28	Capscrews – Flange	4	920291	
	Spring – R/V (111-150 psi)		471428		29	Pipe Plug Asy. (SAE #6) (FKM) (Std.)	1	908212
	SS Spring – R/V (151-200 psi)		471468		Pipe Plug Asy. (SAE #6) (PTFE)		908213	
9	Valve – R/V (Std.)	1	451417	35	Key Shaft	1	<sup>4</sup> 909160	
	Valve – R/V (Nickel Plated)		451415	42 <sup>2</sup>	Flange – 2” NPT (Std.)	2	651411	
10	O-Ring – R/V Cover (FKM) (Std.)	1	<sup>4</sup> 702212		Flange – 2” Weld		654405	
	O-Ring – R/V Cover (PTFE)		702213	42A	Gasket – NPT Flange (Comp.) (Std.)	2	<sup>4</sup> 381421	
12	Cylinder (Std.)	1	021403	42B	Capscrew – Flange	8	920351	
	Cylinder w/ SAE Drain (Cast Iron)		021402	42C	O-Ring – Flange (FKM)	0 - 2	701921	
13	Rotor & Shaft	1	261468		O-Ring – Flange (PTFE)		702056	
	14	Vane – Duravane (Std.)	4	<sup>4</sup> 091419	72	O-Ring – Head (FKM) (Std.)	2	<sup>4</sup> 702241
		Vane – EC Laminate		091429	O-Ring – Head (PTFE)		702242	
		Vane – EC Cast Iron		093923	73	Gage Plug	2	908198
Vane – EC Bronze	093924	77	Push Rods	2	<sup>4</sup> 123905			
—	—	—	—	88	Gasket – R/V Cap	1	<sup>4</sup> 701981	
—	—	—	—	—	Kit — Maintenance	—	898929	

<sup>1</sup> Optional High Pressure Relief Valve - **parts must be used as a group** (includes p/n's 411468, 920373, and 471468).

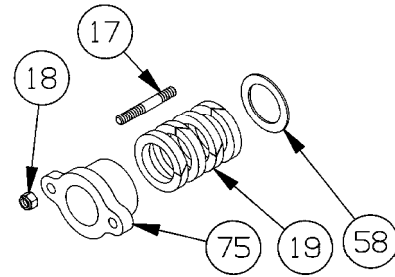
<sup>2</sup> See backside for Flange Options.

<sup>4</sup> Included in Maintenance Kit

EC = Extra-Clearance SS = Stainless Steel

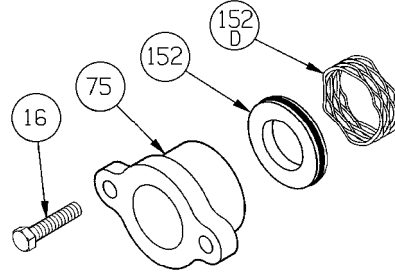
**PACKING - STANDARD**

Ref. No.	Part Name	Parts Per Pump	Part No.
17	Stud - Packing Follower	2	921450
18	Nut - Packing Follower Stud	2	922428
19	Packing Set	1	321400
58	Pack Washer	1	351207
75	Packing Follower	1	141468



**LIP SEAL - OPTIONAL**

Ref. No.	Part Name	Parts Per Pump	Part No.
16	Capscrew - Follower	2	920295
75	Seal Follower	1	141468
152	Lip Seal Assembly (To 500°F)	1	702244
152D	Wave Spring	1	321401

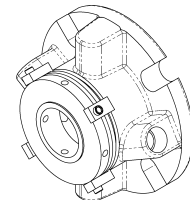


**NOTE:** A Commercial Mechanical Seal (Cartridge Type) can be used in place of packing or lip seals. Consult mechanical seal manufacturer for more information.

**COMMERCIAL MECHANICAL SEAL (Cartridge Type) - OPTIONAL**

Ref. No.	Part Name	Parts Per Pump	Part No.
-	John Crane 5610	1	331471

**NOTE:** Seal Materials (Sil-Car, Carbon, FKM)

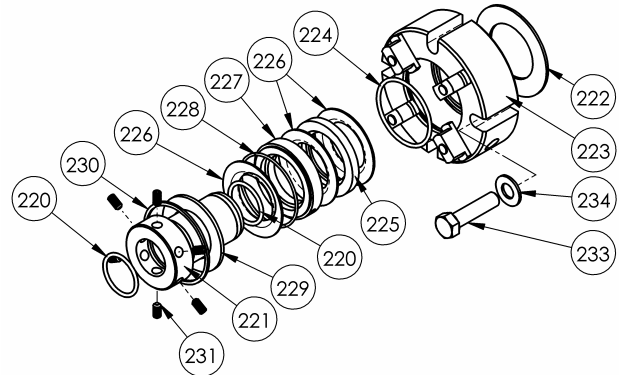


Commercial Mechanical Seal Cartridge Type

**TRIPLE-LIP CARTRIDGE SEAL - OPTIONAL**

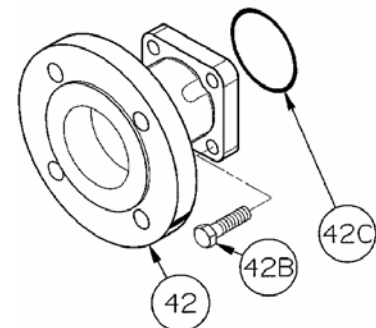
Ref. No.	Part Name	Seal	Seal Rebuild Kit
—	<b>TRIPLE-LIP CARTRIDGE SEAL</b>	<b>331773</b>	<b>899104</b>
220	Shaft Sleeve O-Ring	2	X
221	Shaft Sleeve	1	
222	Gasket	1	X
223	Gland Plate Assembly	1	
224	Element O-Ring	1	X
225	Seal Spacer	1	X
226	Seal Element	3	X
227	Flushing Spacer	1	X
228	Flushing Spacer O-Ring	1	X
229	Retaining Ring	1	
230	Snap Ring	1	X
231	Shaft Sleeve Setscrews	6	X
233	Gland Capscrew	4	
234	Flat Washer	4	

X = Parts Included in Seal Rebuild Kit



**FLANGE OPTIONS**

Ref. No.	Part Name	Parts Per Pump	Part No.
42	Flange – ANSI 2" 150 lb. R.F.	1-2	651417



ANSI FLANGE

