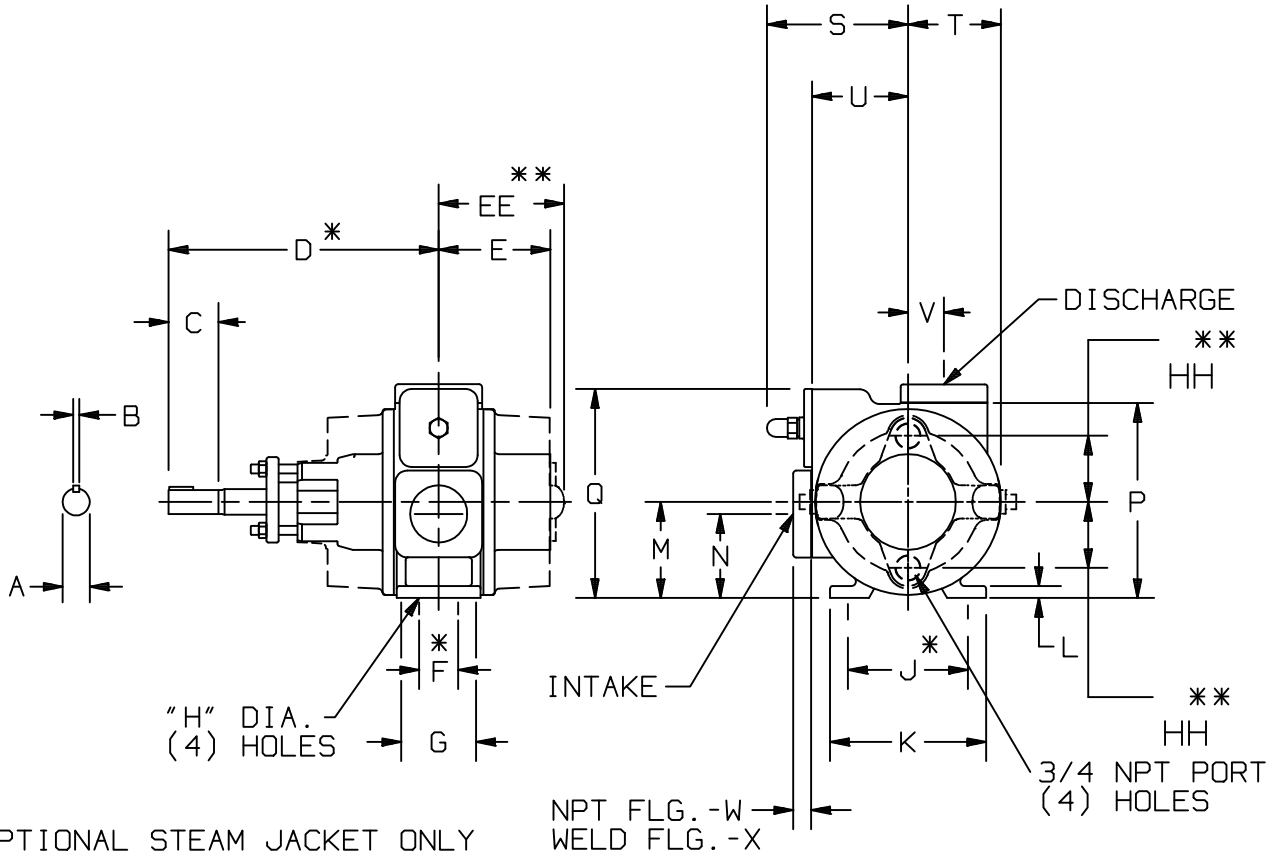




TYPE	SIZE	UNIT STYLE	DIMENSIONS 103-105	
NP	2F	PO	Section 100	Effective November 2001
			Replaces April 1993	Page 1/3

RIGHT HAND ROTATION. FOR LEFT HAND ROTATION, SHAFT PROJECTION IS OPPOSITE THAT SHOWN.

\* TOLERANCE  $\pm \frac{1}{8}$   
 TOLERANCE ON OTHER DIMENSIONS  $\pm \frac{1}{4}$



\*\* OPTIONAL STEAM JACKET ONLY

MOTOR		UNITS	DIMENSIONS									
FRAME SIZE			A	B	C	D	E	F	G	H	J	K
		IN	1	1/4	2 1/16	11 1/4	4 7/8	1 5/8	3 1/2	7/16	5	6 1/2
		MM	25,4	6,4	52,4	285,8	123,8	41,3	88,9	11,1	127	165,1
			L	M	N	P	Q	R	S	T	U	V
		IN	1/2	4	3 1/2	8 1/8	8 11/16	—	5 7/8	3 7/8	4	1 1/2
		MM	12,7	101,6	88,9	206,4	220,6	—	149,2	98,4	101,6	38,1
			W	X	Y	Z	AA	BB	CC	DD	EE	FF
		IN	13/16	1 1/4	—	—	—	—	—	13 1/8	5 1/4	—
		MM	20,6	31,8	—	—	—	—	—	333,4	133,4	—
			GG	HH					PUMP WEIGHT	WITH STD. FLANGES	** WITH JACKETED HEADS	
		IN	—	2 3/4					LBS	65	77	
		MM	—	69,8					KG	30	34,9	

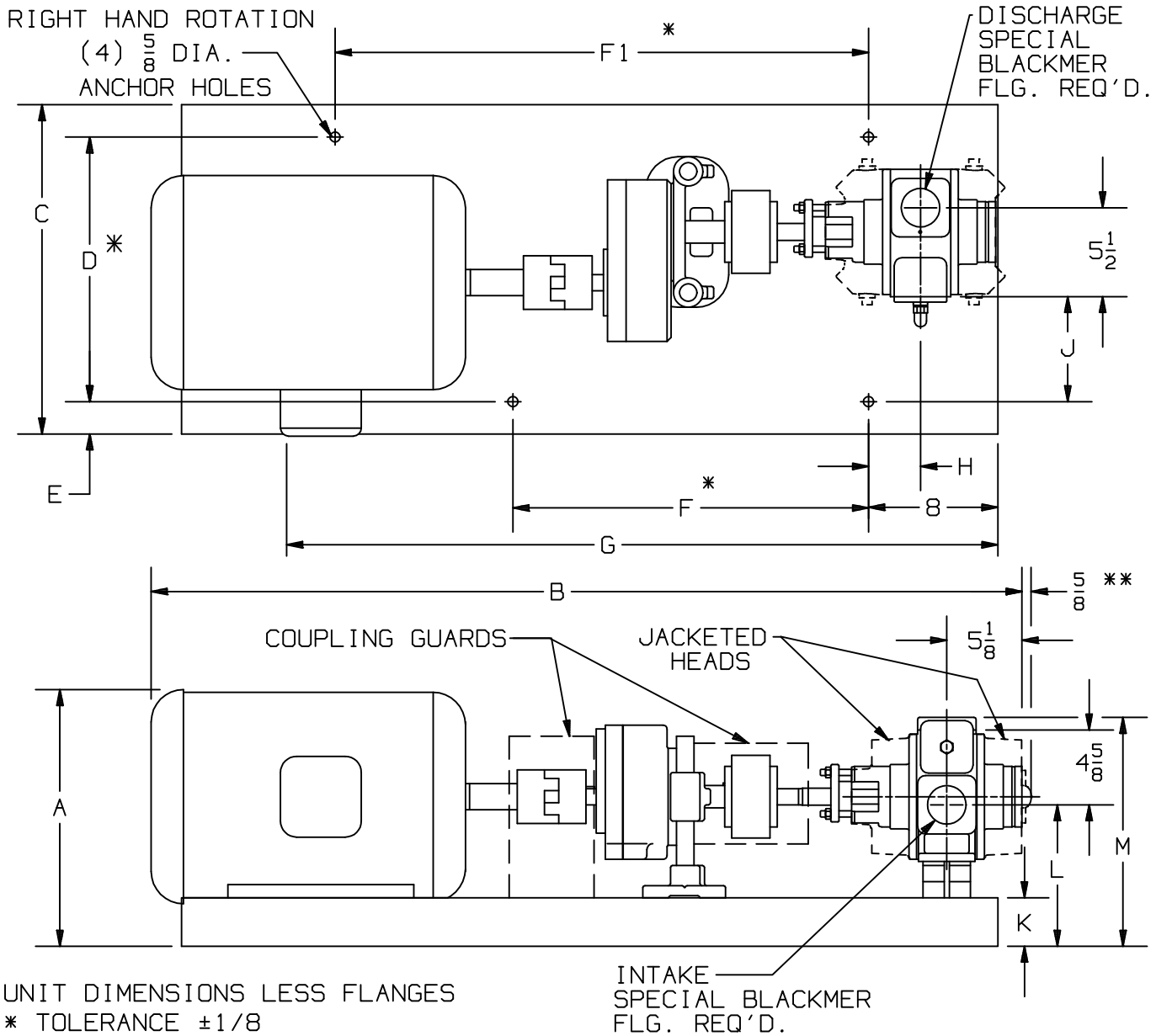
NOTE: FOR ANSI AND DIN FLANGE DIMENSIONS, SEE DIMENSION SHEET 103-115



TYPE	SIZE	UNIT STYLE
NP	2	HRA

**DIMENSIONS 103-105**

Section Effective	100 November 2001
Replaces	October 2000
Page	2/3



UNIT DIMENSIONS LESS FLANGES  
 \* TOLERANCE  $\pm 1/8$   
 TOLERANCE ON OTHER DIMENSIONS  $\pm 1/4$   
 "A" DIMENSION LESS EYEBOLT  
 \*\* FOR JACKETED HEADS

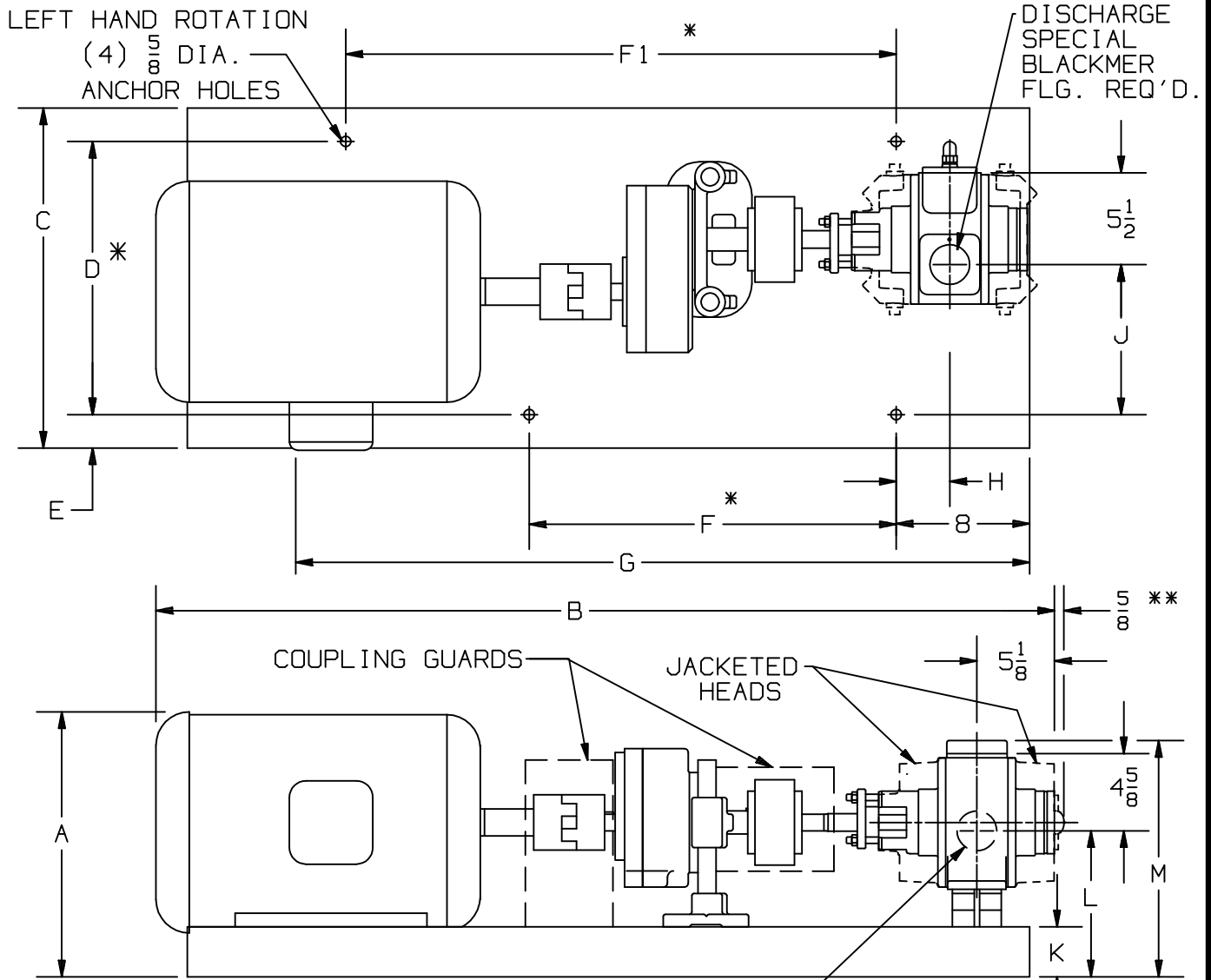
FLG. HT: 2" NPT 13/16  
 2" WELD 1-1/4

FRAME SIZE	BASE NO.	DIMENSIONS														
		A	B	C	D	E	F	F <sub>1</sub>	G	H	J	K	L	M		
182T	901795	12 <sup>7</sup> / <sub>8</sub>	46	17 <sup>1</sup> / <sub>4</sub>	14	1 <sup>5</sup> / <sub>8</sub>	15	26	44	4 <sup>1</sup> / <sub>8</sub>	5 <sup>3</sup> / <sub>8</sub>	2 <sup>1</sup> / <sub>4</sub>	6 <sup>3</sup> / <sub>4</sub>	12 <sup>3</sup> / <sub>8</sub>		
184T	901795	12 <sup>7</sup> / <sub>8</sub>	46 <sup>3</sup> / <sub>4</sub>	17 <sup>1</sup> / <sub>4</sub>	14	1 <sup>5</sup> / <sub>8</sub>	15	26	44	4 <sup>1</sup> / <sub>8</sub>	5 <sup>3</sup> / <sub>8</sub>	2 <sup>1</sup> / <sub>4</sub>	6 <sup>3</sup> / <sub>4</sub>	12 <sup>3</sup> / <sub>8</sub>		
213T	901794	14 <sup>1</sup> / <sub>8</sub>	51 <sup>5</sup> / <sub>8</sub>	20 <sup>3</sup> / <sub>8</sub>	16 <sup>3</sup> / <sub>8</sub>	2	22	33	50 <sup>1</sup> / <sub>2</sub>	3 <sup>1</sup> / <sub>4</sub>	6 <sup>1</sup> / <sub>2</sub>	3	7 <sup>1</sup> / <sub>2</sub>	13 <sup>1</sup> / <sub>8</sub>		
215T	901794	14 <sup>1</sup> / <sub>8</sub>	51 <sup>5</sup> / <sub>8</sub>	20 <sup>3</sup> / <sub>8</sub>	16 <sup>3</sup> / <sub>8</sub>	2	22	33	50 <sup>1</sup> / <sub>2</sub>	3 <sup>1</sup> / <sub>4</sub>	6 <sup>1</sup> / <sub>2</sub>	3	7 <sup>1</sup> / <sub>2</sub>	13 <sup>1</sup> / <sub>8</sub>		
254T	901794	16 <sup>3</sup> / <sub>8</sub>	53 <sup>1</sup> / <sub>2</sub>	20 <sup>3</sup> / <sub>8</sub>	16 <sup>3</sup> / <sub>8</sub>	2	22	33	50 <sup>1</sup> / <sub>2</sub>	3 <sup>1</sup> / <sub>4</sub>	6 <sup>1</sup> / <sub>2</sub>	3	7 <sup>1</sup> / <sub>2</sub>	13 <sup>1</sup> / <sub>8</sub>		
256T	901794	16 <sup>3</sup> / <sub>8</sub>	55 <sup>1</sup> / <sub>4</sub>	20 <sup>3</sup> / <sub>8</sub>	16 <sup>3</sup> / <sub>8</sub>	2	22	33	50 <sup>1</sup> / <sub>2</sub>	3 <sup>1</sup> / <sub>4</sub>	6 <sup>1</sup> / <sub>2</sub>	3	7 <sup>1</sup> / <sub>2</sub>	13 <sup>1</sup> / <sub>8</sub>		

**DIMENSIONS 103-105**

Section 100  
 Effective November 2001  
 Replaces October 2000  
 Page 2/3

TYPE	SIZE	UNIT STYLE
NP	2	HRA



UNIT DIMENSIONS LESS FLANGES  
 \* TOLERANCE ±1/8  
 TOLERANCE ON OTHER DIMENSIONS ±1/4  
 "A" DIMENSION LESS EYEBOLT  
 \*\* FOR JACKETED HEADS

FLG. HT: 2" NPT 13/16  
 2" WELD 1-1/4

FRAME SIZE	BASE NO.	DIMENSIONS													
		A	B	C	D	E	F	F <sub>1</sub>	G	H	J	K	L	M	
182T	901795	12 7/8	46	17 1/4	14	1 5/8	15	26	44	4 1/8	7 7/8	2 1/4	6 3/4	12 3/8	
184T	901795	12 7/8	46 3/4	17 1/4	14	1 5/8	15	26	44	4 1/8	7 7/8	2 1/4	6 3/4	12 3/8	
213T	901794	14 1/8	51 5/8	20 3/8	16 3/8	2	22	33	50 1/2	3 1/4	9	3	7 1/2	13 1/8	
215T	901794	14 1/8	51 5/8	20 3/8	16 3/8	2	22	33	50 1/2	3 1/4	9	3	7 1/2	13 1/8	
254T	901794	16 3/8	53 1/2	20 3/8	16 3/8	2	22	33	50 1/2	3 1/4	9	3	7 1/2	13 1/8	
256T	901794	16 3/8	55 1/4	20 3/8	16 3/8	2	22	33	50 1/2	3 1/4	9	3	7 1/2	13 1/8	