

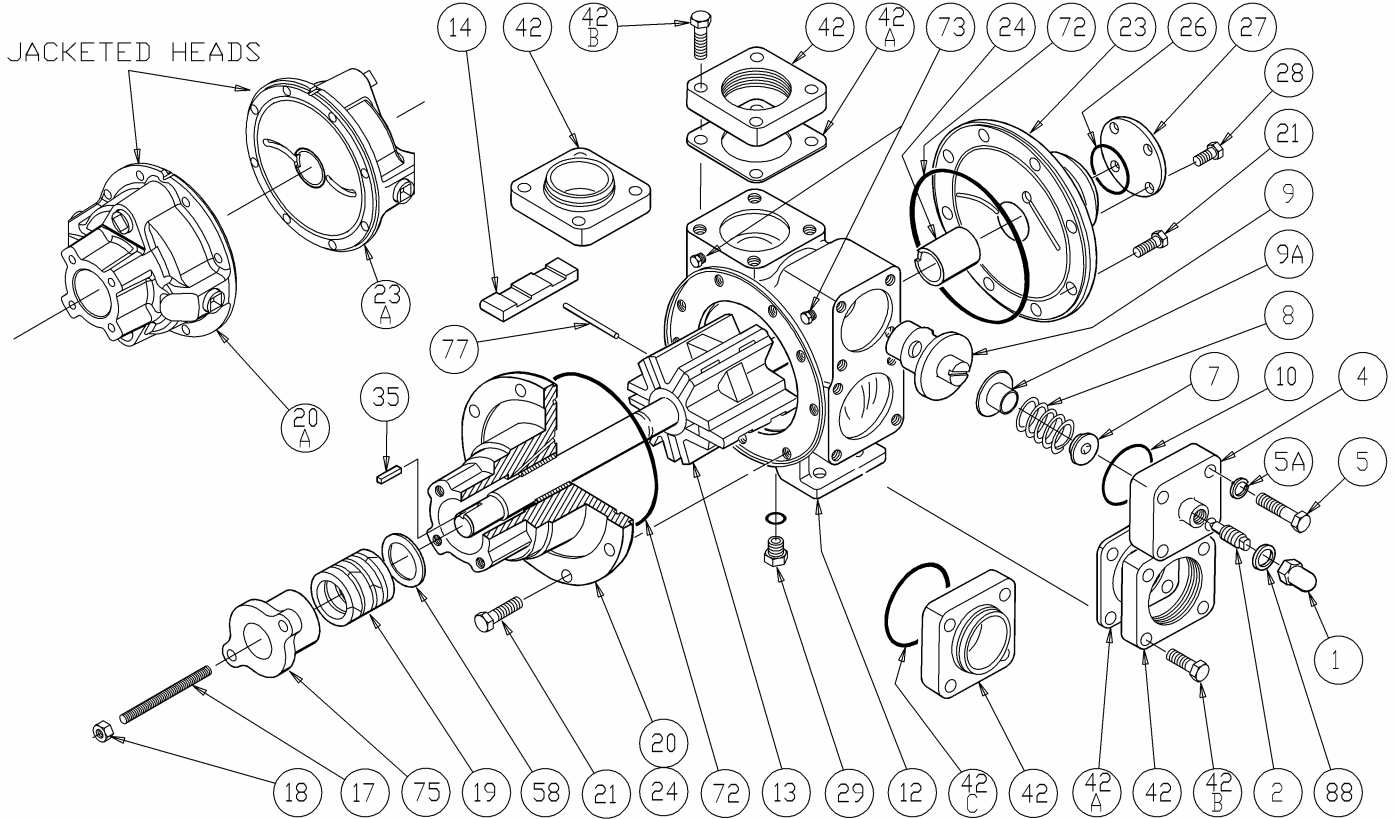
# BLACKMER PARTS LIST

## PUMP MODEL: NP2.5F

961602 **PARTS LIST**  
Page 1 of 2 **103-A03**

Section 103  
Effective Sept 2007  
Replaces Dec 2005

See Instructions 103-A00 for Installation, Operation and Maintenance



Ref. No.	Description	Parts per Pump	Part No.	Ref. No.	Description	Parts per Pump	Part No.
1	Cap - Relief Valve (R/V)	1	411452	20	Head & Bushing Asy. - Inboard	1	031676
2	Adjusting Screw - R/V	1	431401	20A	Head & Bushing Asy. - Inboard (Jacket)	1	031672
4	Cover - R/V (Std.)	1	411600	21	Capscrews - Head	16	920341
	Cover - R/V <sup>1</sup> (high pressure)		411608	23	Head & Bushing Asy. - Outboard	1	031677
5	Capscrew - R/V Cover (Std.)	4	920316	23A	Head & Bushing Asy. - Outboard (Jacket)	1	031673
	Capscrew - R/V Cover <sup>1</sup> (high pressure)		920421	24	Sleeve Bearing	2	<sup>5</sup> 161600
5A	Lockwasher - R/V Capscrew <sup>1</sup> (high press)	0 - 4	909649	26	O-Ring - Bearing Cover (FKM) (Std.)	1	<sup>5</sup> 702038
			423955		O-Ring - Bearing Cover (PTFE)		702234
7	Spring Guide - R/V (Std.)	1	423955	27	Bearing Cover	1	041600
	Spring Guide - R/V <sup>1</sup> (high pressure)		421805	28	Capscrews - Bearing Cover	4	920285
8	Spring - R/V (41-50 psi) <sup>2</sup>	1	471608	29	Pipe Plug Asy. (SAE # 6) (FKM) (Std.)	1	908212
	Spring - R/V (51-110 psi)		471631		Pipe Plug Asy. (SAE # 6) (PTFE)		908213
	Spring - R/V (111-150 psi)		471614	35	Key - Shaft	1	<sup>5</sup> 909177
	SS Spring - R/V (151-200 psi) <sup>1</sup> (hp)		471671	42 <sup>3</sup>	Flange - 2½" NPT (Std.)	2	651611
9	Valve - R/V (51-200 psi) (Std.)	1	451623		Flange - 2 ½" Weld		651610
	Valve - R/V (51-200 psi) (Nickel Plated)		451624	42A	Gasket - NPT Flange (Comp.) (Std.)	2	<sup>5</sup> 381650
	Valve - R/V (41-50 psi)		451609	42B <sup>2</sup>	Capscrew - (NPT Flange ONLY)	8	920532
9A	Collar - Valve <sup>1</sup> (high pressure)	0 - 1	431606		Capscrew - Weld / DIN <sup>4</sup> / ANSI Flange		920491
	O-Ring - R/V Cover (FKM) (Std.)		1	<sup>5</sup> 701924	42C	O-Ring - Flange (FKM)	0 - 2
10	O-Ring - R/V Cover (PTFE)	1	702079		O-Ring - Flange (PTFE)		702079
	Cylinder (Std.)		1	021605	72	O-Ring - Head (FKM) (Std.)	2
12	Cylinder w/ SAE Drain (Cast Iron)	1	021602		O-Ring - Head (PTFE)		702242
	Rotor & Shaft		1	261668	73	Gage Plug	2
14	Vane - Duravane (Std.)	6	<sup>5</sup> 091619	77	Push Rods	3	<sup>5</sup> 121607
	Vane - EC Laminate		091627	88	Gasket - R/V Cap	1	<sup>5</sup> 701981
	Vane - EC Cast Iron		091621		Kit - Maintenance		898930
	Vane - EC Bronze		091624				

<sup>1</sup> Optional High Pressure Relief Valve - parts must be used as a group (includes p/n 411608, 920421, 909649, 421805, 431606 & 471671).

<sup>2</sup> Low pressure springs must be used with low pressure valve p/n 451609

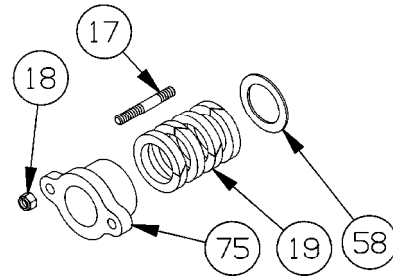
<sup>3</sup> See backside for Flange Options.

<sup>5</sup> Included in Maintenance Kit.

EC = Extra-Clearance SS = Stainless Steel

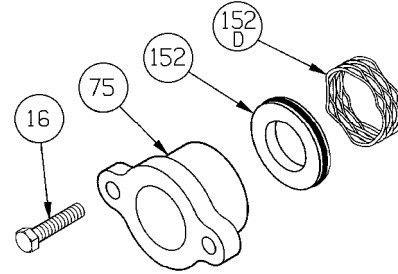
**PACKING - STANDARD**

Ref. No.	Part Name	Parts Per Pump	Part No.
17	Stud - Packing Follower	2	921868
18	Nut - Packing Follower Stud	2	922428
19	Packing Set	1	321868
58	Pack Washer	1	355168
75	Packing Follower	1	141868



**LIP SEAL - OPTIONAL**

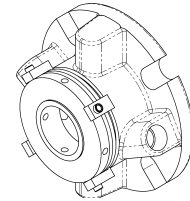
Ref. No.	Part Name	Parts Per Pump	Part No.
16	Capscrew - Follower	2	920359
75	Seal Follower	1	141868
152	Lip Seal Assembly (To 500°F)	1	702245
152D	Wave Spring	1	321601



**NOTE:** A Commercial Mechanical Seal (cartridge type) can be used in place of packing or lip seals. Consult mechanical seal manufacturer for more information.

**COMMERCIAL MECHANICAL SEAL (Cartridge Type) - OPTIONAL**

Ref. No.	Part Name	Parts Per Pump	Part No.
-	John Crane 5610	1	331639



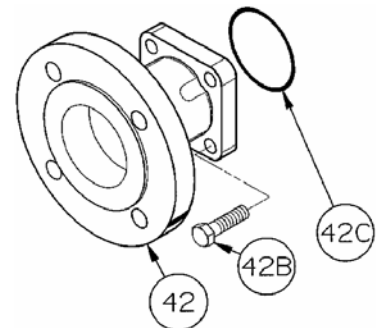
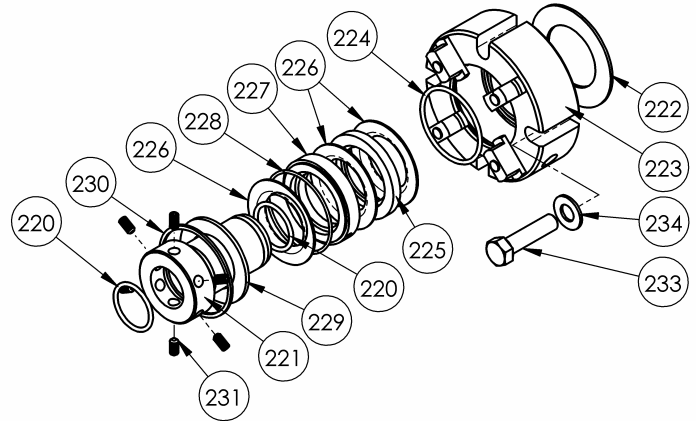
Commercial Mechanical Seal Cartridge Type

**NOTE:** Seal Materials (Sil-Car, Carbon, FKM)

**TRIPLE-LIP CARTRIDGE SEAL - OPTIONAL**

Ref. No.	Part Name	Seal	Seal Rebuild Kit
—	<b>TRIPLE-LIP CARTRIDGE SEAL</b>	<b>331774</b>	<b>899105</b>
220	Shaft Sleeve O-Ring	2	X
221	Shaft Sleeve	1	
222	Gasket	1	X
223	Gland Plate Assembly	1	
224	Element O-Ring	1	X
225	Seal Spacer	1	X
226	Seal Element	3	X
227	Flushing Spacer	1	X
228	Flushing Spacer O-Ring	1	X
229	Retaining Ring	1	
230	Snap Ring	1	X
231	Shaft Sleeve Setscrews	6	X
233	Gland Capscrew	4	
234	Flat Washer	4	

X = Parts Included in Seal Rebuild Kit



ANSI FLANGE

**FLANGE OPTIONS**

Ref. No.	Part Name	Parts Per Pump	Part No.
42	Flange – ANSI 3" 150 lb. R.F.	0-2	651617

