



TYPE	SIZE	UNIT STYLE
NP	2.5F	PO

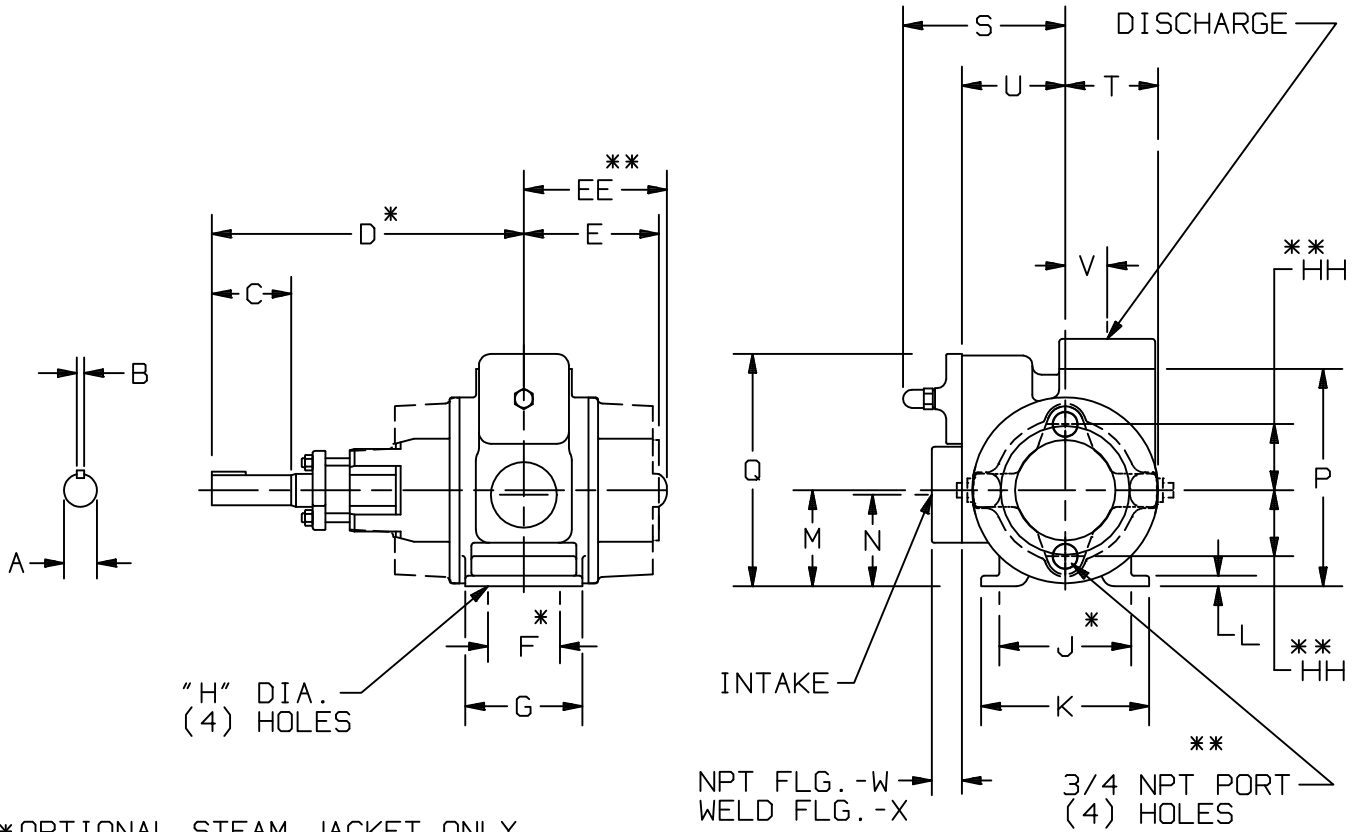
DIMENSIONS 103-107

Section	100
Effective	November 2001
Replaces	April 1993
Page	1/5

RIGHT HAND ROTATION. FOR LEFT HAND ROTATION, SHAFT PROJECTION IS OPPOSITE THAT SHOWN.

* TOLERANCE $\pm \frac{1}{8}$

TOLERANCE ON OTHER DIMENSIONS $\pm \frac{1}{4}$



**OPTIONAL STEAM JACKET ONLY

MOTOR		UNITS	DIMENSIONS									
FRAME SIZE			A	B	C	D	E	F	G	H	J	K
		IN	1 1/4	1/4	3 5/16	13	5 7/8	3	4 7/8	7/16	5 1/2	7
		MM	31,8	6,4	84,1	330,2	149,2	76,2	123,8	11,1	139,7	177,8
			L	M	N	P	Q	R	S	T	U	V
		IN	7/16	4	3 3/4	9 1/16	9 5/8	—	6 13/16	3 7/8	4 5/16	1 3/4
		MM	11,1	101,6	95,3	230,2	244,5	—	173	98,4	109,5	44,4
			W	X	Y	Z	AA	BB	CC	DD	EE	FF
		IN	1 3/16	1 1/4	—	—	—	—	—	15	6 1/8	—
		MM	30,2	31,8	—	—	—	—	—	381	133,4	—
			GG	HH					PUMP WEIGHT	WITH STD. FLANGES	** WITH JACKETED HEADS	
		IN	—	2 3/4					LBS	92	101	
		MM	—	69,8					KG	42	45,9	

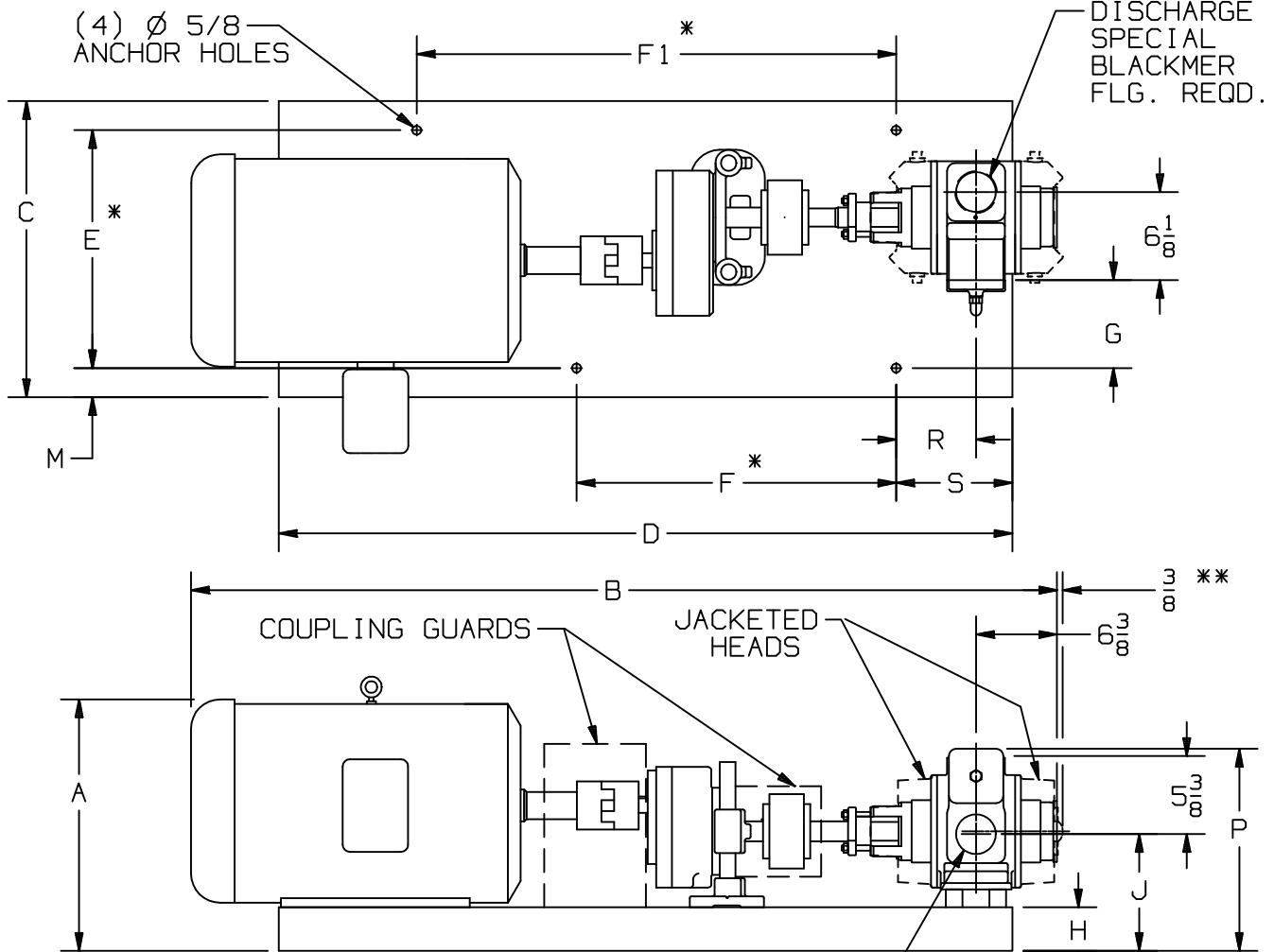
NOTE: FOR ANSI AND DIN FLANGE DIMENSIONS, SEE DIMENSION SHEET 103-115
 KI Pumps & Systems, Inc., 206 Enterprise Road, P.O. Box 180267, Delafield, WI 53018-1768
 TEL (888) 547 8678 FAX (262) 547 8678 info@kipumps.com www.blackmerpumps.com



TYPE	SIZE	UNIT STYLE
NP	2.5	HRA

DIMENSIONS 103-107	
Section Effective	100 November 2001
Replaces	November 2000
Page 2/5	

RIGHT HAND ROTATION



UNIT DIMENSION LESS FLANGES

* TOLERANCE $\pm \frac{1}{8}$

TOLERANCE ON OTHER DIMENSIONS $\pm \frac{1}{4}$

"A" DIMENSION LESS EYEBOLT

** FOR JACKETED HEADS

FLG. HGT. 2 1/2" NPT - 1 1/4
2 1/2" WELD - 1 1/4

MOTOR			BASE NO.	DIMENSIONS													
FRAME SIZE				A	B	C	D	E	F	F1	G	H	J	M	P	R	S
182T			901792	11 7/8	48 5/8	17 1/4	44	14	15	26	3 7/8	2 1/4	7 3/8	1 5/8	13 5/8	6 1/2	9
184T			901792	11 7/8	49 5/8	17 1/4	44	14	15	26	3 7/8	2 1/4	7 3/8	1 5/8	13 5/8	6 1/2	9
213T			901792	13 3/8	51 3/4	17 1/4	44	14	15	26	3 7/8	2 1/4	7 3/8	1 5/8	13 5/8	6 1/2	9
215T			901792	13 3/8	52 1/2	17 1/4	44	14	15	26	3 7/8	2 1/4	7 3/8	1 5/8	13 5/8	6 1/2	9
254T			901793	16 3/8	56 3/8	20 3/8	50 1/2	16 3/8	22	33	6 1/8	3	8 1/8	2	14 5/8	5 1/2	8
256T			901793	16 3/8	58 1/8	20 3/8	50 1/2	16 3/8	22	33	6 1/8	3	8 1/8	2	14 5/8	5 1/2	8
284T			901793	18	60 3/8	20 3/8	50 1/2	16 3/8	22	33	6 1/8	3	8 1/8	2	14 5/8	5 1/2	8
286T			901793	18	61 7/8	20 3/8	50 1/2	16 3/8	22	33	6 1/8	3	8 1/8	2	14 5/8	5 1/2	8

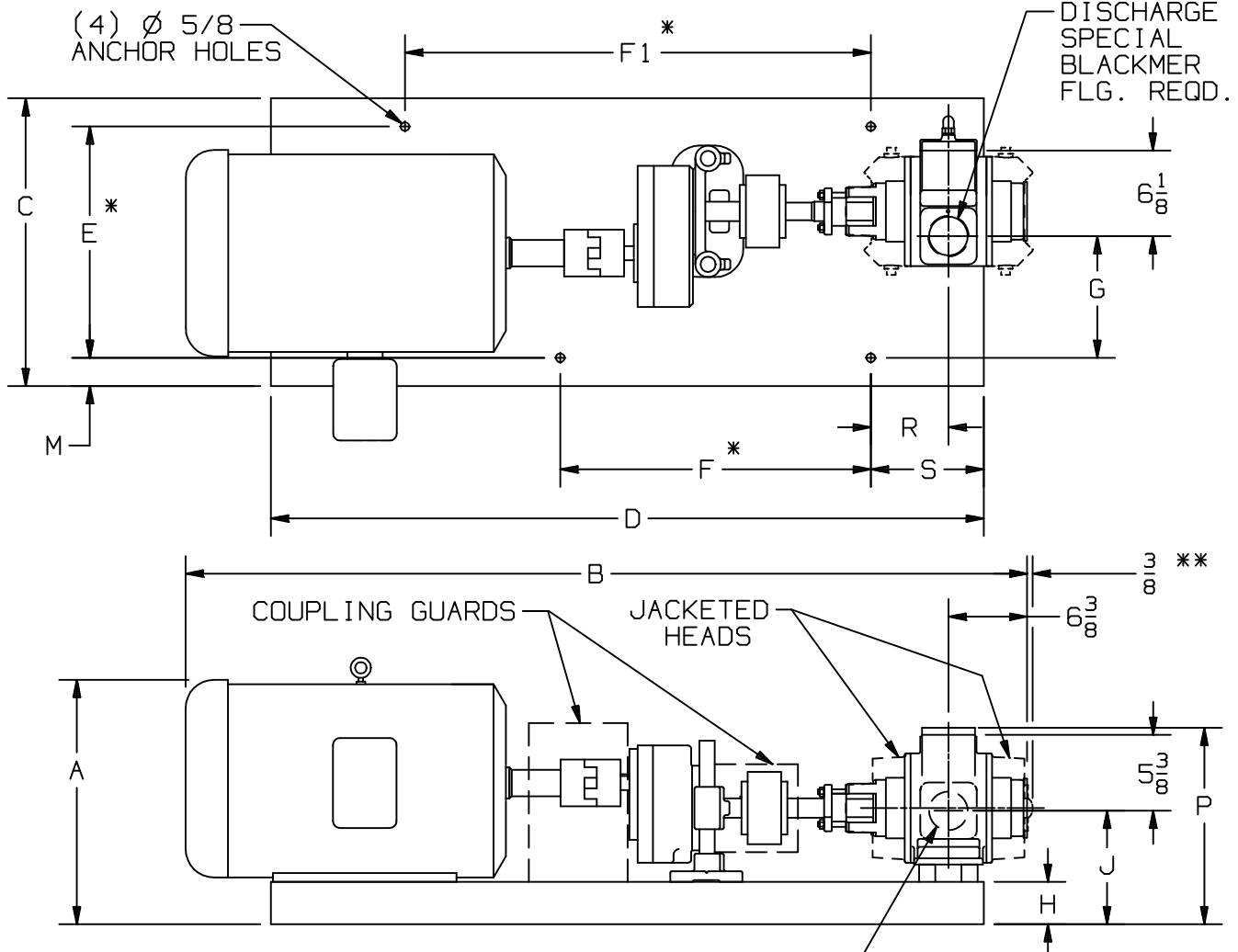
DIMENSIONS 103-107

Section 100
 Effective November 2001
 Replaces November 2000
 Page 3/5

TYPE	SIZE	UNIT STYLE
NP	2.5	HRA



LEFT HAND ROTATION



UNIT DIMENSION LESS FLANGES

* TOLERANCE $\pm \frac{1}{8}$

TOLERANCE ON OTHER DIMENSIONS $\pm \frac{1}{4}$

"A" DIMENSION LESS EYEBOLT

** FOR JACKETED HEADS

INTAKE SPECIAL BLACKMER FLG. REQ'D.

FLG. HGT. 2 1/2" NPT - 1 1/4
 2 1/2" WELD - 1 1/4

MOTOR		BASE NO.	DIMENSIONS													
FRAME SIZE			A	B	C	D	E	F	F1	G	H	J	M	P	R	S
182T		901792	11 7/8	48 5/8	17 1/4	44	14	15	26	6 3/8	2 1/4	7 3/8	1 5/8	13 5/8	6 1/2	9
184T		901792	11 7/8	49 5/8	17 1/4	44	14	15	26	6 3/8	2 1/4	7 3/8	1 5/8	13 5/8	6 1/2	9
213T		901792	13 3/8	51 3/4	17 1/4	44	14	15	26	6 3/8	2 1/4	7 3/8	1 5/8	13 5/8	6 1/2	9
215T		901792	13 3/8	52 1/2	17 1/4	44	14	15	26	6 3/8	2 1/4	7 3/8	1 5/8	13 3/8	6 1/2	9
254T		901793	16 3/8	56 3/8	20 3/8	50 1/2	16 3/8	22	33	8 5/8	3	8 1/8	2	14 3/8	5 1/2	8
256T		901793	16 3/8	58 1/8	20 3/8	50 1/2	16 3/8	22	33	8 5/8	3	8 1/8	2	14 3/8	5 1/2	8
284T		901793	18	60 3/8	20 3/8	50 1/2	16 3/8	22	33	8 5/8	3	8 1/8	2	14 3/8	5 1/2	8
286T		901793	18	61 7/8	20 3/8	50 1/2	16 3/8	22	33	8 5/8	3	8 1/8	2	14 3/8	5 1/2	8

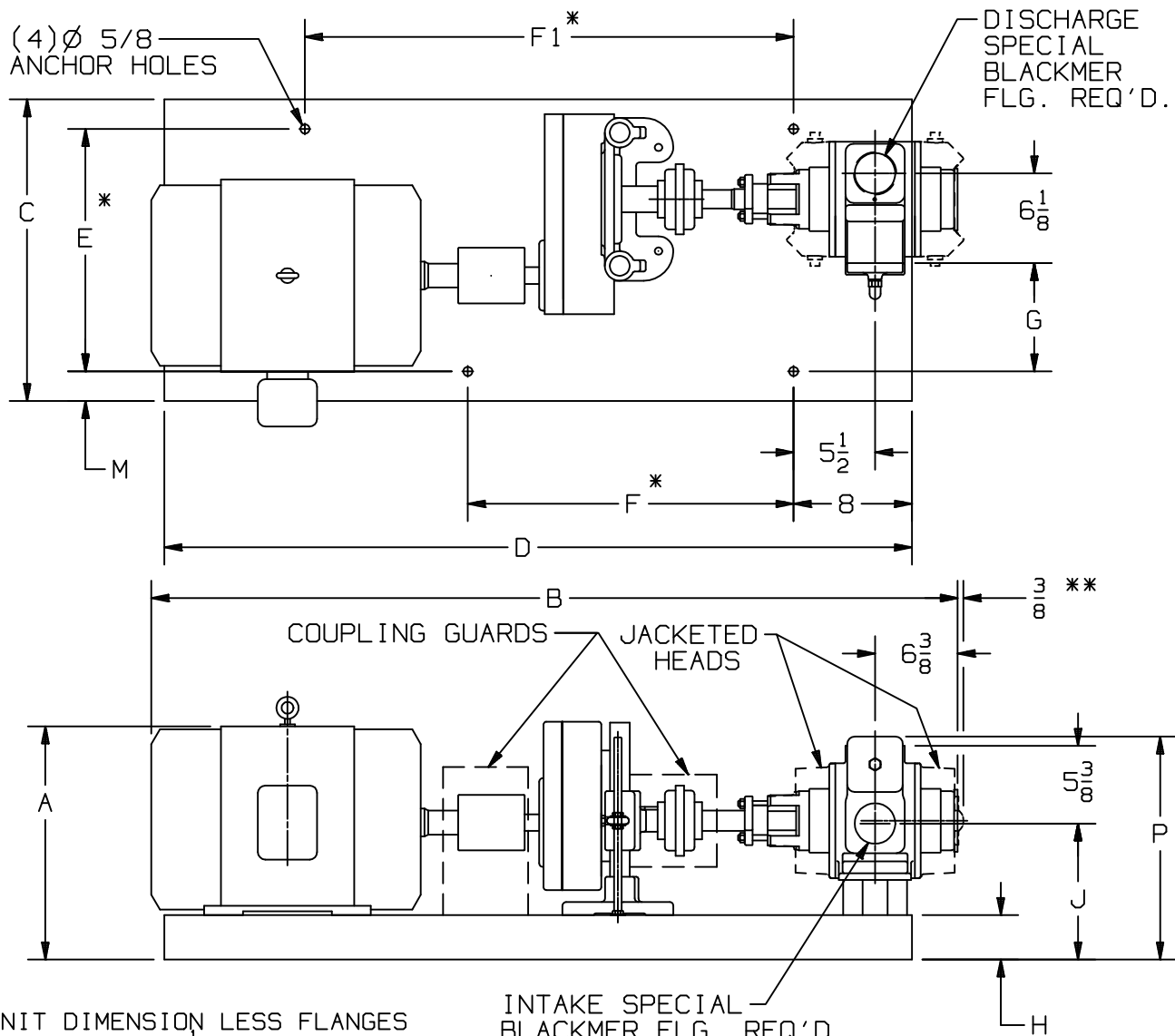


TYPE	SIZE	UNIT STYLE
NP	2.5	HRB

DIMENSIONS 103-107

Section	100
Effective	November 2001
Replaces	November 2000
Page	4/5

RIGHT HAND ROTATION SHOWN



UNIT DIMENSION LESS FLANGES

* TOLERANCE $\pm \frac{1}{8}$

TOLERANCE ON OTHER DIMENSIONS $\pm \frac{1}{4}$

"A" DIMENSION LESS EYEBOLT

** FOR JACKETED HEADS

INTAKE SPECIAL BLACKMER FLG. REQ'D.

FLG. HT: 2 1/2" NPT - 1 1/4
2 1/2" WELD - 1 1/4

MOTOR			BASE NO.	DIMENSIONS												
FRAME SIZE				UNITS	A	B	C	D	E	F	F1	G	H	J	M	P
182T			901704		12 7/8	49 3/8	17 1/4	44	14	15	26	5 1/8	2 1/4	8 3/8	1 5/8	14 5/8
184T			901704		12 7/8	50 5/8	17 1/4	44	14	15	26	5 1/8	2 1/4	8 3/8	1 5/8	14 5/8
213T			901705		13 5/8	52 7/8	17 1/4	44	14	15	26	5 1/8	2 1/4	8 3/8	1 5/8	14 5/8
215T			901705		13 5/8	53 1/2	17 1/4	44	14	15	26	5 1/8	2 1/4	8 3/8	1 5/8	14 5/8
254T			901706		16 3/8	57 1/4	20 3/8	50 1/2	16 3/8	22	33	7 3/8	3	9 1/8	2	15 3/8
256T			901706		16 3/8	59	20 3/8	50 1/2	16 3/8	22	33	7 3/8	3	9 1/8	2	15 3/8

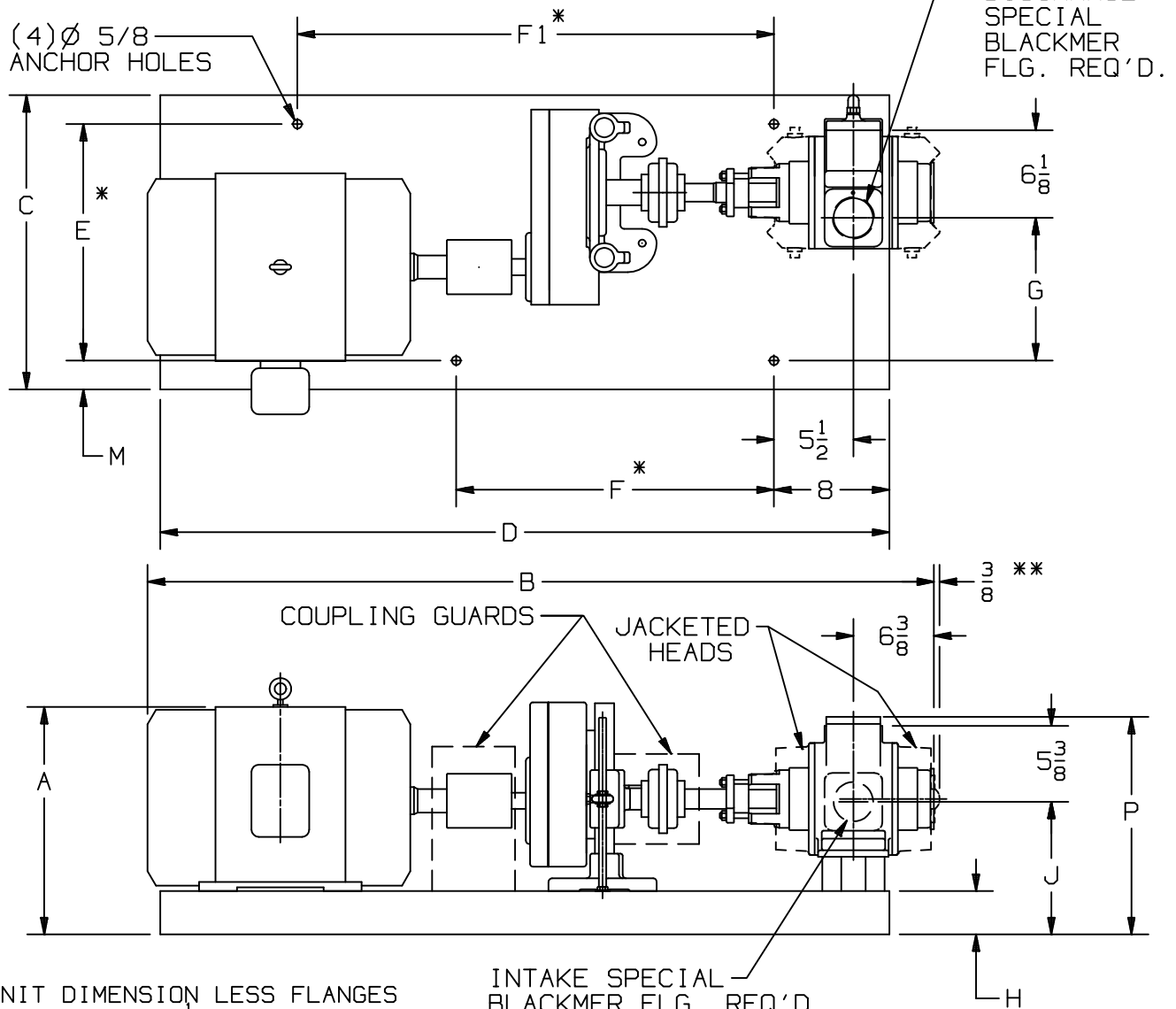
DIMENSIONS 103-107

Section 100
 Effective November 2001
 Replaces November 2000
 Page 5/5

TYPE	SIZE	UNIT STYLE
NP	2.5	HRB



LEFT HAND ROTATION SHOWN



UNIT DIMENSION LESS FLANGES

* TOLERANCE $\pm \frac{1}{8}$

TOLERANCE ON OTHER DIMENSIONS $\pm \frac{1}{4}$

"A" DIMENSION LESS EYEBOLT

** FOR JACKETED HEADS

INTAKE SPECIAL BLACKMER FLG. REQ'D.

FLG. HT: 2 1/2" NPT - 1 1/4
 2 1/2" WELD - 1 1/4

MOTOR			BASE NO.	DIMENSIONS												
FRAME SIZE				UNITS	A	B	C	D	E	F	F1	G	H	J	M	P
182T			901704		12 7/8	49 3/8	17 1/4	44	14	15	26	7 3/4	2 1/4	8 3/8	1 5/8	14 5/8
184T			901704		12 7/8	50 5/8	17 1/4	44	14	15	26	7 3/4	2 1/4	8 3/8	1 5/8	14 5/8
213T			901705		13 5/8	52 7/8	17 1/4	44	14	15	26	7 3/4	2 1/4	8 3/8	1 5/8	14 5/8
215T			901705		13 5/8	53 1/2	17 1/4	44	14	15	26	7 3/4	2 1/4	8 3/8	1 5/8	14 5/8
254T			901706		16 3/8	57 1/4	20 3/8	50 1/2	16 3/8	22	33	9 7/8	3	9 1/8	2	15 3/8
256T			901706		16 3/8	59	20 3/8	50 1/2	16 3/8	22	33	9 7/8	3	9 1/8	2	15 3/8