

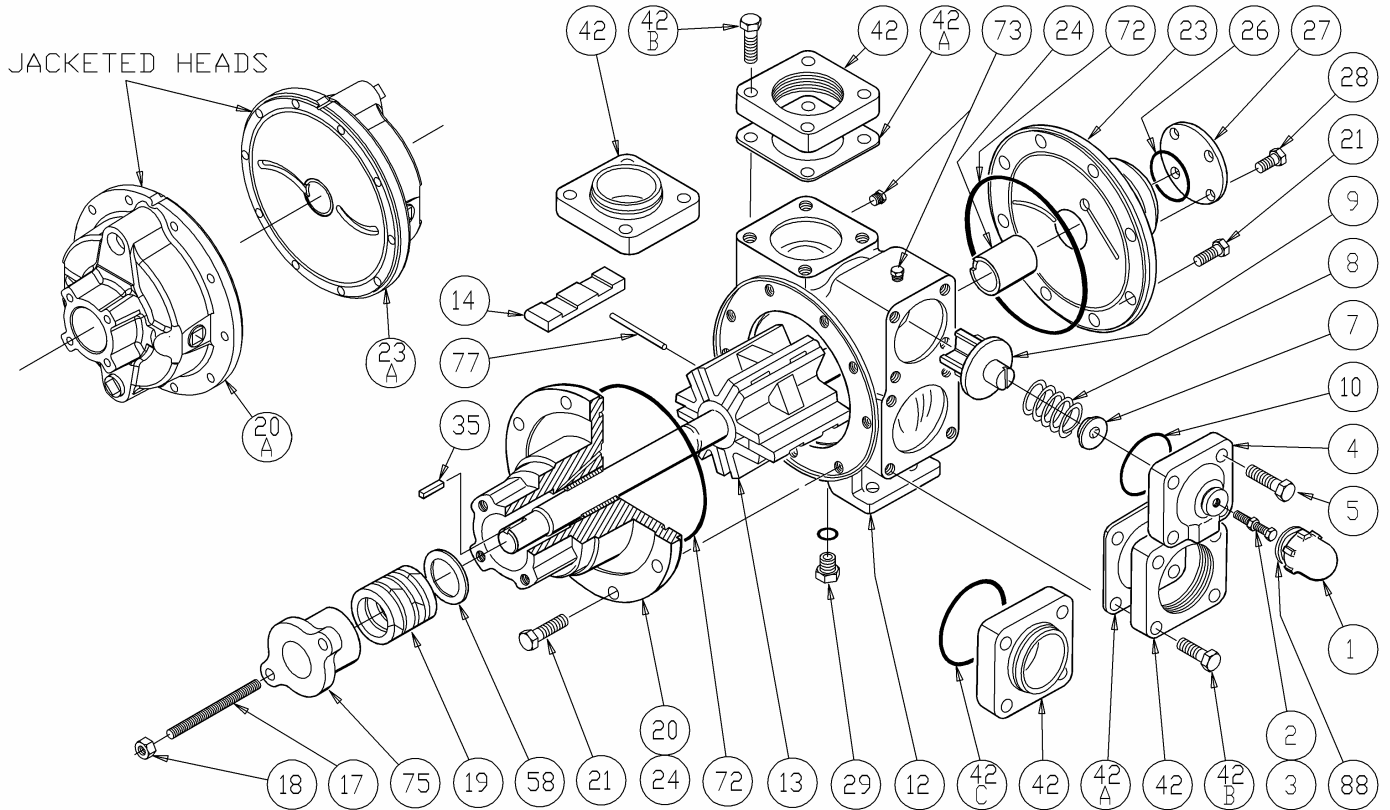
BLACKMER PARTS LIST

PUMP MODEL: NP3F

961806 **PARTS LIST**
Page 1 of 2 **103-A04**

(See Instructions 103-A00 for Installation, Operation and Maintenance)

Section 103
Effective Aug 2007
Replaces July 2007



Ref. No.	Description	Parts per Pump	Part No.	Ref. No.	Description	Parts per Pump	Part No.
1	Cap - Relief Valve (R/V)	1	413952	20	Head & Bushing Assy. - Inboard	1	031876
2	Adjusting Screw - R/V	1	431808	20A	Head & Bushing Assy. - Inboard (Jacket)	1	031866
3	Locknut - Adjusting Screw	1	922923	21	Capscrews - Head	20	920369
4	Cover - R/V (Std.)	1	411811	23	Head & Bushing Assy. - Outboard	1	031877
	Cover - R/V ¹		411868	23A	Head & Bushing Assy. - Outboard (Jacket)	1	031873
5	Capscrew - R/V Cover (Std.)	4	920331	24	Sleeve Bearing	2	⁴ 161600
	Capscrew - R/V Cover ¹		920381	26	O-Ring - Bearing Cover (FKM) (Std.)	1	⁴ 702038
7	Spring Guide - R/V	1	421805		O-Ring - Bearing Cover (PTFE)		702234
	Spring - R/V (36-50 psi)		471805	27	Bearing Cover	1	041600
	Spring - R/V (51-110 psi)		471806	28	Capscrews - Bearing Cover	4	920291
	Spring - R/V (111-150 psi)		471809	29	Pipe Plug Assy. (SAE # 6) (FKM) (Std.)	1	908212
	SS Spring - R/V (151-200 psi) ¹		471869		Pipe Plug Assy. (SAE # 6) (PTFE)		908213
9	Valve - R/V (Std.)	1	451807	35	Key - Shaft	1	⁴ 909177
	Valve - R/V (Nickel Plated)		451808	42 ²	Flange - 3" NPT (Std.)	2	651803
10	O-Ring - R/V Cover (FKM) (Std.)	1	⁴ 711931		Flange - 3" Weld		655102
	O-Ring - R/V Cover (PTFE)		702080	42A	Gasket - NPT Flange (Comp.) (Std.)	2	⁴ 381816
12	Cylinder (Std.)	1	021805	42B ²	Capscrew - (NPT Flange ONLY)	8	920532
	Cylinder w/ SAE Drain (Cast Iron)		021816		Capscrew - Weld / ANSI Flange		920510
13	Rotor & Shaft, Open Rotor (Shown)	1	261868	42C	O-Ring - Flange (FKM)	0 - 2	701968
	Rotor & Shaft, Closed Rotor (Opt.)		261880		O-Ring - Flange (PTFE)		702101
14	Vane - Duravane (Std.)	6	⁴ 091819	72	O-Ring - Head (FKM) (Std.)	2	⁴ 702232
	Vane - EC Laminate		091829		O-Ring - Head (PTFE)		702233
	Vane - EC Cast Iron		091821	73	Gage Plug	2	908198
	Vane - EC Bronze		091804	77	Push Rods	3	⁴ 121807
				88	Gasket - R/V Cap	1	^{4,5} 533909
				—	Kit - Maintenance	—	898931

EC = Extra Clearance SS = Stainless Steel

¹ High Pressure Relief Valve parts must be used as a group (includes p/n's 411868, 920381, and 471869) (ref 4, 5 & 8).

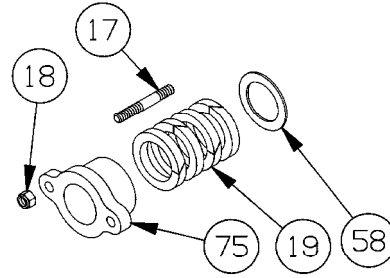
² See backside for Flange Options. ⁴ Included in Maintenance Kit

⁵ R/V Caps on earlier pumps used an O-ring; the 533909 Gasket may be used with the O-Ring type R/V Caps..

KI Pumps & Systems, Inc., 206 Enterprise Road, P.O. Box 180287, Delafield, WI 53018-1768
TEL (888) 547 8678 FAX (262) 547 8678 info@kipumps.com www.blackmerpumps.com

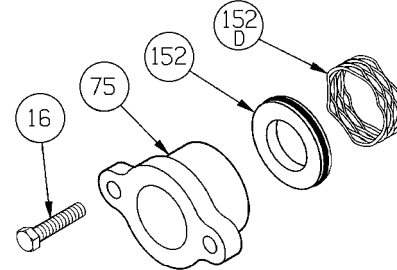
PACKING - STANDARD

Ref. No.	Part Name	Parts Per Pump	Part No.
17	Stud - Packing Follower	2	921868
18	Nut - Packing Follower Stud	2	922428
19	Packing Set	1	321868
58	Pack Washer	1	355168
75	Packing Follower	1	141868



LIP SEAL - OPTIONAL

Ref. No.	Part Name	Parts Per Pump	Part No.
16	Capscrew - Follower	2	920359
75	Seal Follower	1	141868
152	Lip Seal Assembly (To 500°F)	1	702245
152D	Wave Spring	1	321601

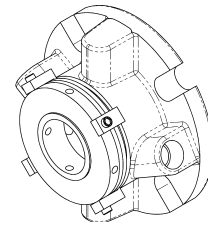


NOTE: A Commercial Mechanical Seal (cartridge type) may be used in place of packing or lip seals. Consult mechanical seal manufacturer for more information.

COMMERCIAL MECHANICAL SEAL (Cartridge Type) - OPTIONAL

Ref. No.	Part Name	Parts Per Pump	Part No.
-	John Crane 5610	1	331639

NOTE: Seal Materials (Sil-Car, Carbon, FKM)

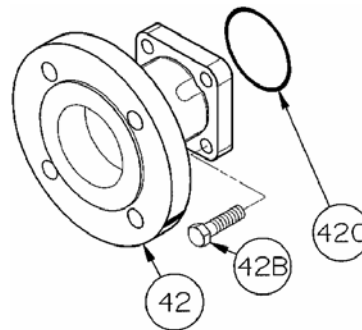
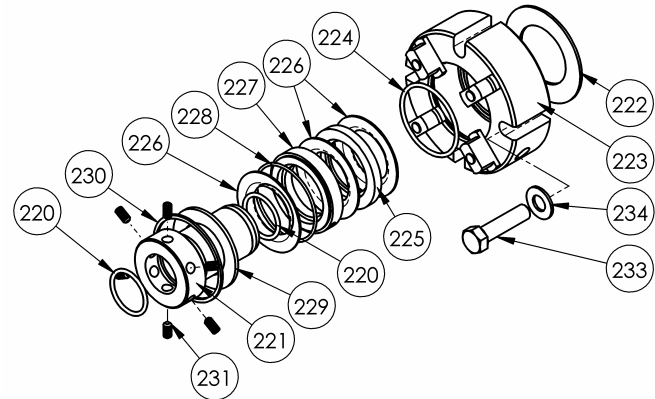


Commercial Mechanical Seal Cartridge Type

TRIPLE-LIP CARTRIDGE SEAL - OPTIONAL

Ref. No.	Part Name	Seal	Seal Rebuild Kit
—	TRIPLE-LIP CARTRIDGE SEAL	331774	899105
220	Shaft Sleeve O-Ring	2	X
221	Shaft Sleeve	1	
222	Gasket	1	X
223	Gland Plate Assembly	1	
224	Element O-Ring	1	X
225	Seal Spacer	1	X
226	Seal Element	3	X
227	Flushing Spacer	1	X
228	Flushing Spacer O-Ring	1	X
229	Retaining Ring	1	
230	Snap Ring	1	X
231	Shaft Sleeve Setscrews	6	X
233	Gland Capscrew	4	
234	Flat Washer	4	

X = Parts Included in Seal Rebuild Kit



ANSI FLANGE

FLANGE OPTIONS

Ref. No.	Part Name	Parts Per Pump	Part No.
42	Flange - ANSI 3" 150 lb. R.F.	0 - 2	651817

