



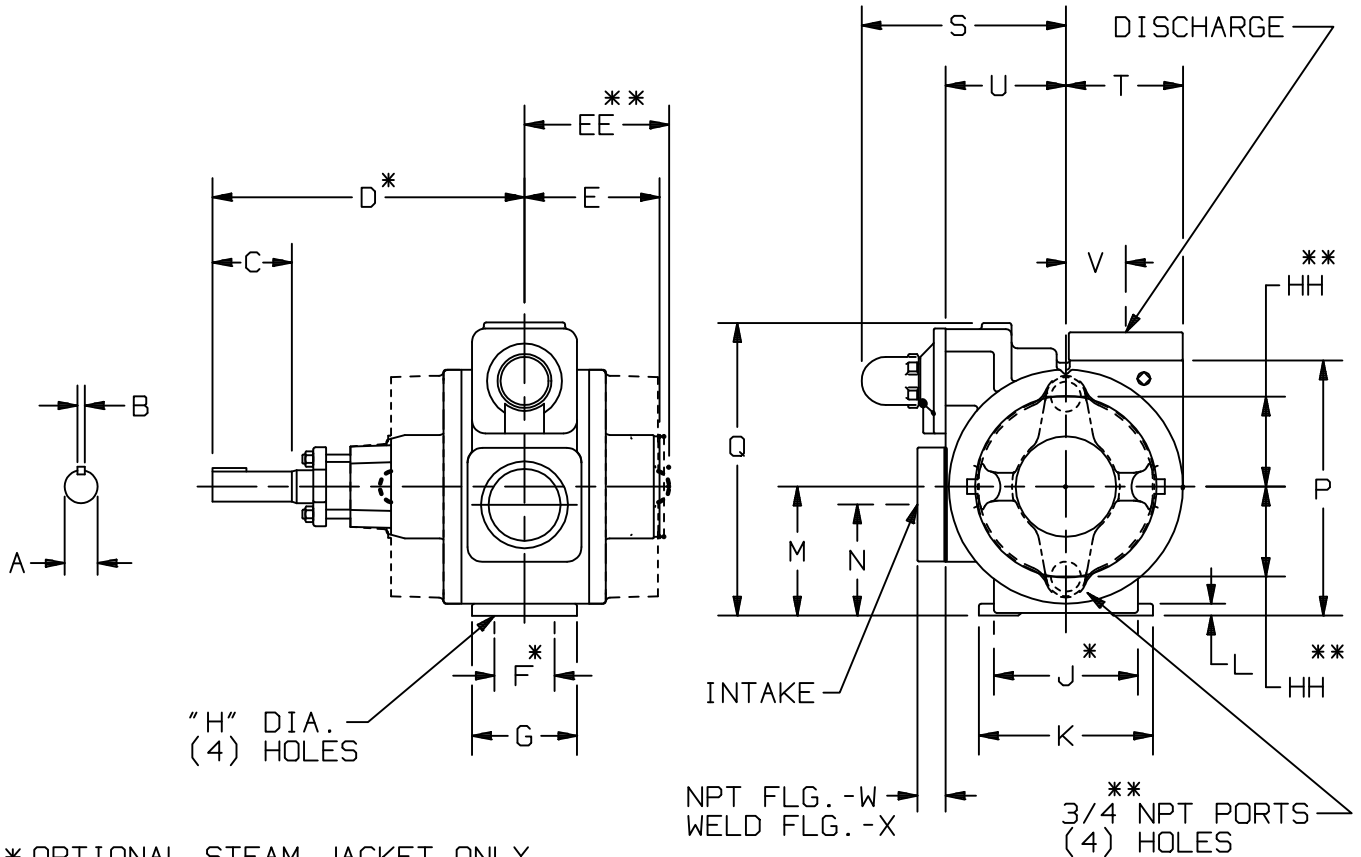
TYPE	SIZE	UNIT STYLE
NP	3F	PO

DIMENSIONS 103-109	
Section	100
Effective	November 2001
Replaces	April 1993
Page 1/7	

RIGHT HAND ROTATION. FOR LEFT HAND ROTATION, SHAFT PROJECTION IS OPPOSITE THAT SHOWN.

* TOLERANCE $\pm \frac{1}{8}$

TOLERANCE ON OTHER DIMENSIONS $\pm \frac{1}{4}$



** OPTIONAL STEAM JACKET ONLY

MOTOR		UNITS	DIMENSIONS									
FRAME SIZE			A	B	C	D	E	F	G	H	J	K
		IN	1 1/4	1/4	3 5/16	13	5 5/8	2 1/2	4 3/8	5/8	6	7 1/4
		MM	31,8	6,4	84,1	330,2	142,9	63,5	111,1	15,9	152,4	184,2
			L	M	N	P	Q	R	S	T	U	V
		IN	1/2	5 3/8	4 5/8	10 5/8	12 1/4	—	8 9/16	4 7/8	5	2 1/2
		MM	12,7	136,6	117,5	269,9	311,2	—	217,5	123,8	127	63,5
			W	X	Y	Z	AA	BB	CC	DD	EE	FF
		IN	1 1/8	1 1/4	—	—	—	—	—	15	6 1/8	—
		MM	28,6	31,8	—	—	—	—	—	381	155,7	—
			GG	HH					PUMP WEIGHT	WITH STD. FLANGES	** WITH JACKETED HEADS	
		IN	—	3 3/4					LBS	134	158	
		MM	—	92,3					KG	61	71,7	

NOTE: FOR ANSI AND DIN FLANGE DIMENSIONS, SEE DIMENSION SHEET 103-115

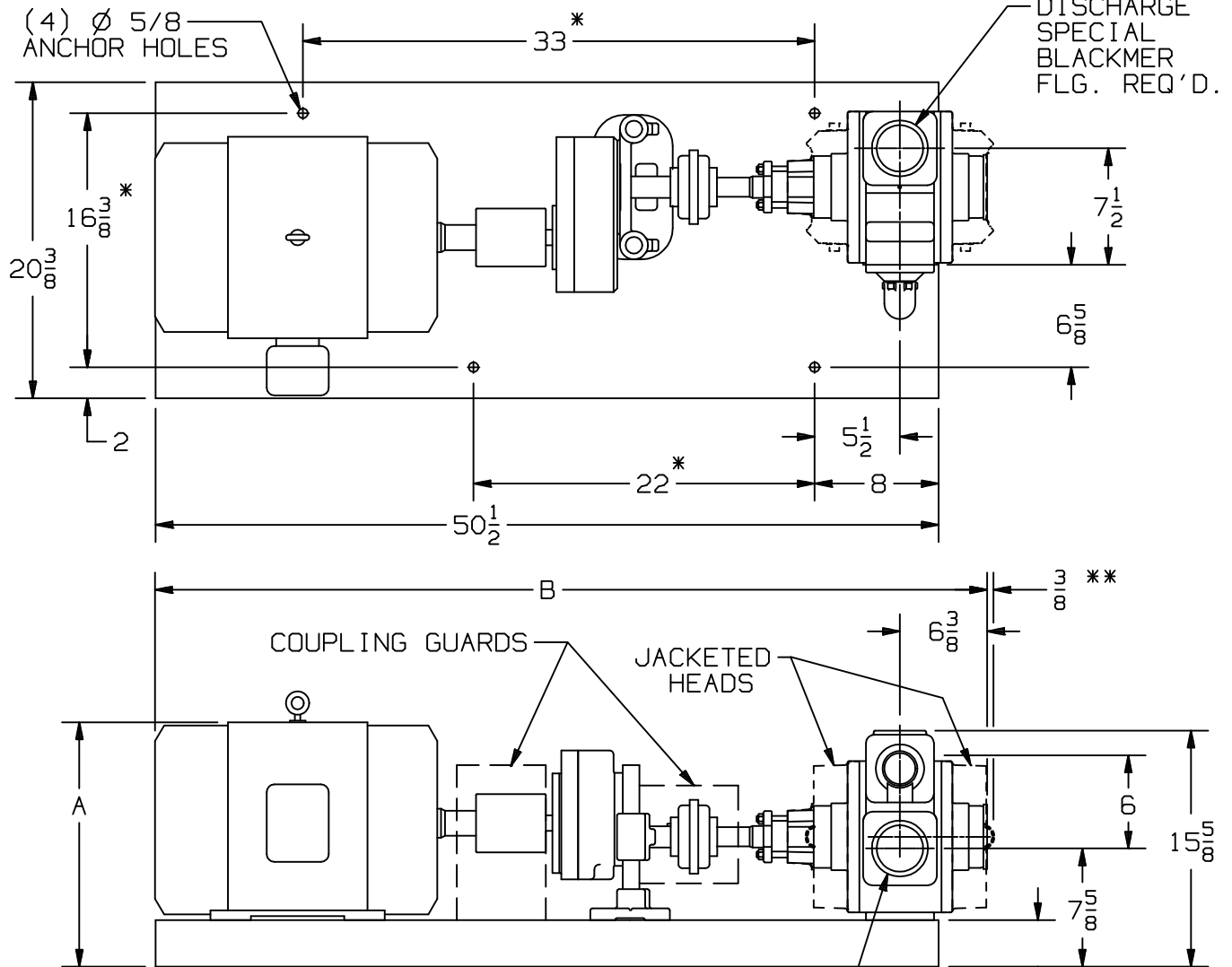


TYPE	SIZE	UNIT STYLE
NP	3	HRA

DIMENSIONS 103-109

Section	100
Effective	November 2001
Replaces	November 2000
Page	2/7

RIGHT HAND ROTATION



UNIT DIMENSION LESS FLANGES
 * TOLERANCE ± 1/8
 TOLERANCE ON OTHER DIMENSIONS ± 1/4
 "A" DIMENSION LESS EYEBOLT
 ** FOR JACKETED HEADS

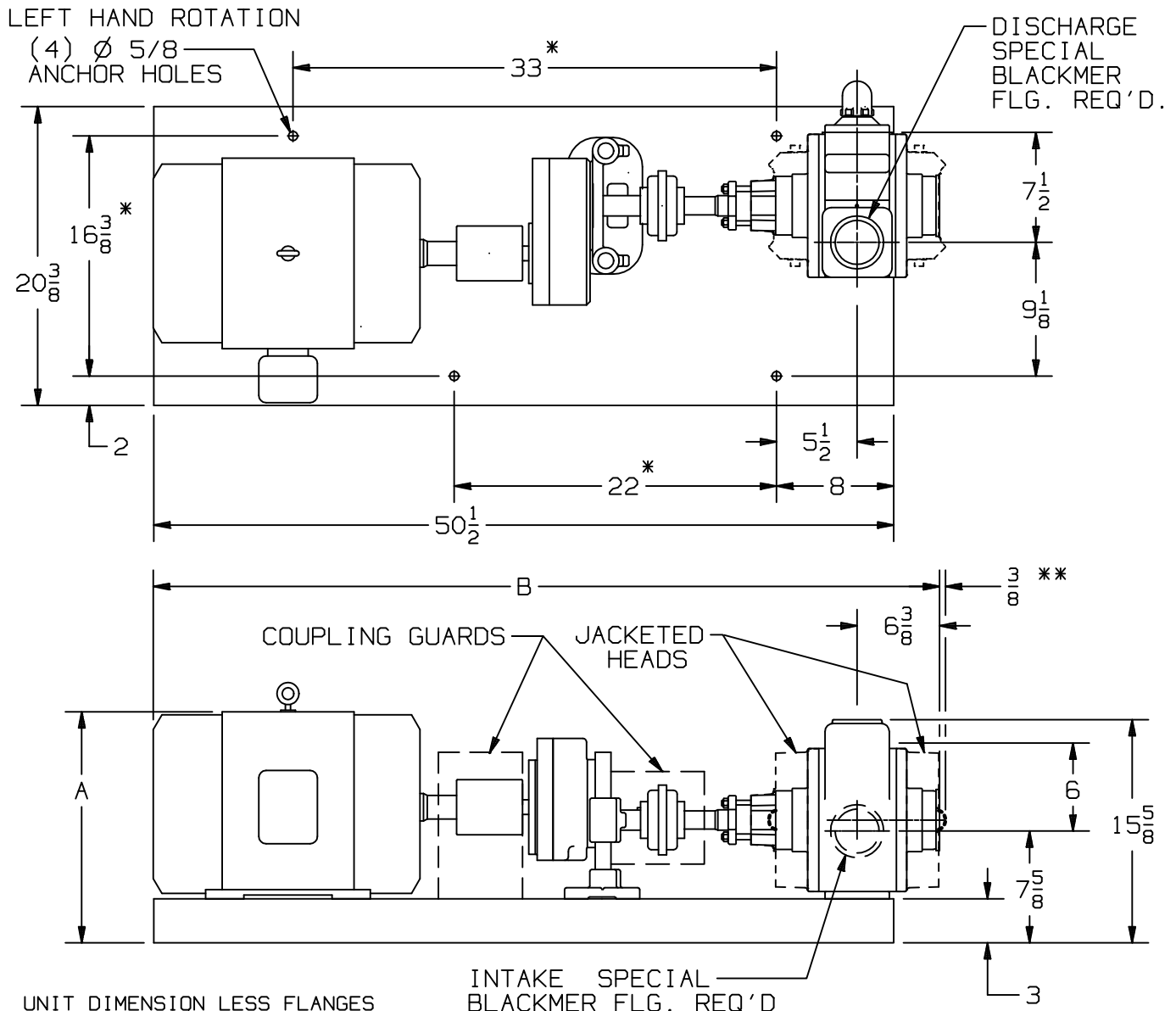
FLG. HT: 3 NPT - 1 1/8
 3 WELD - 1 1/4

MOTOR		BASE NO.	DIMENSIONS							APPROX UNIT WT-POUNDS	
FRAME SIZE			UNITS	A	B					LESS MOTOR	ENCL MOTOR
182T		901684		12 5/8	55 1/8						
184T		901684		12 5/8	55 1/8						
213T		901684		14 1/8	55 1/8						
215T		901684		14 1/8	55 1/8						
254T		901684		16 3/8	56 3/8						
256T		901684		16 3/8	58 1/8						

DIMENSIONS 103-109

Section 100
 Effective November 2001
 Replaces November 2000
 Page 3/7

TYPE	SIZE	UNIT STYLE
NP	3	HRA



UNIT DIMENSION LESS FLANGES
 * TOLERANCE $\pm \frac{1}{8}$
 TOLERANCE ON OTHER DIMENSIONS $\pm \frac{1}{4}$
 "A" DIMENSION LESS EYEBOLT
 ** FOR JACKETED HEADS

FLG. HT: 3 NPT - 1 1/8
 3 WELD - 1 1/4

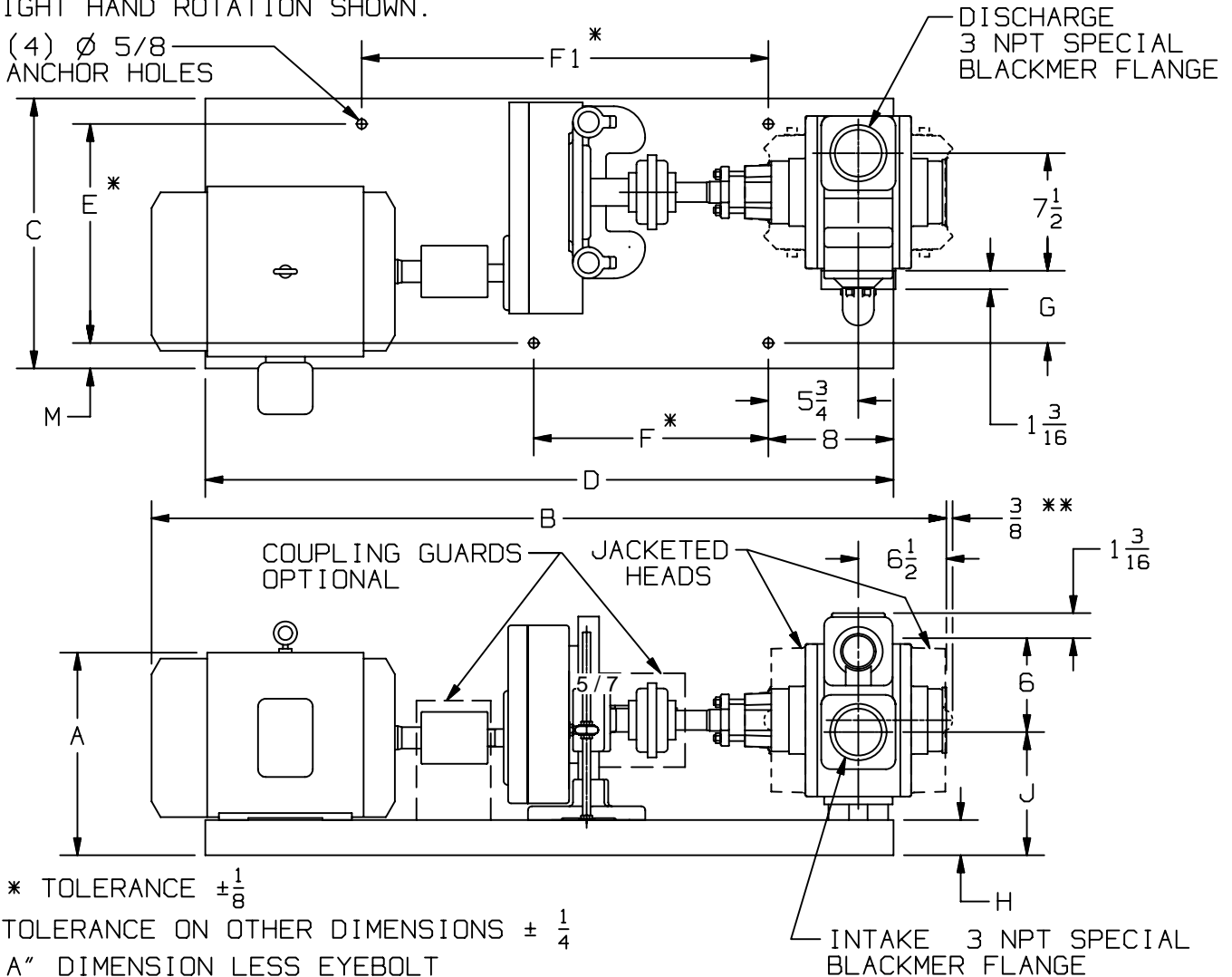
MOTOR		BASE NO.	DIMENSIONS							APPROX UNIT WT-POUNDS	
FRAME SIZE			UNITS	A	B					LESS MOTOR	ENCL MOTOR
182T		901684		12 5/8	55 1/8						
184T		901684		12 5/8	55 1/8						
213T		901684		14 1/8	55 1/8						
215T		901684		14 1/8	55 1/8						
254T		901684		16 3/8	56 3/8						
256T		901684		16 3/8	58 1/8						




TYPE	SIZE	UNIT STYLE
NP	3	HRB

DIMENSIONS 103-109	
Section	103
Effective	March 2006
Replaces	November 2001
Page 4 / 7	

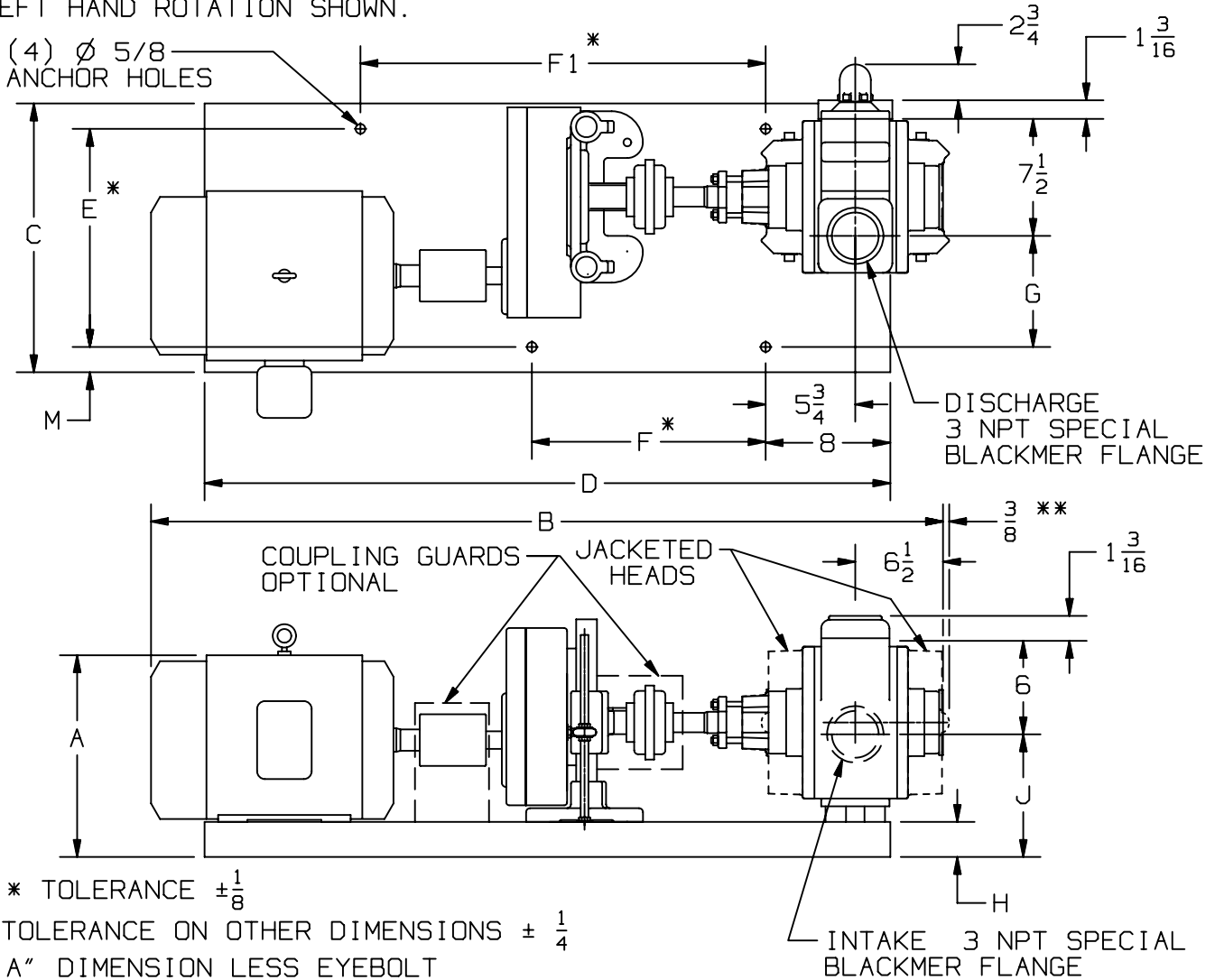
RIGHT HAND ROTATION SHOWN.



FRAME SIZE	MOTOR		BASE NO.	DIMENSIONS										APPROX. UNIT WT. - POUNDS		
	H.P.	RPM		A	B	C	D	E	F	F1	G	H	J	M	LESS MOTOR	INCL. MOTOR
143T	1	1800	901772	11 1/2	45 3/4	17 1/4	44	14	15	26	4 5/8	2 1/4	7 7/8	1 5/8	400	430
145T	1 1/2	1800	901772	11 1/2	46 3/4	17 1/4	44	14	15	26	4 5/8	2 1/4	7 7/8	1 5/8	400	435
182T	3	1800	901772	12 1/2	48	17 1/4	44	14	15	26	4 5/8	2 1/4	7 7/8	1 5/8	400	490
184T	5	1800	901772	12 1/2	49	17 1/4	44	14	15	26	4 5/8	2 1/4	7 7/8	1 5/8	400	525
213T	7 1/2	1800	901772	13 3/8	51 1/4	17 1/4	44	14	15	26	4 5/8	2 1/4	7 7/8	1 5/8	400	545
215T	10	1800	901772	13 3/8	52 7/8	17 1/4	44	14	15	26	4 5/8	2 1/4	7 7/8	1 5/8	400	560
254T	15	1800	901773	16 1/8	56 1/4	20 3/8	50 1/2	16 3/8	22	33	6 5/8	3	8 3/4	2	485	725
256T	20	1800	901773	16 1/8	58 1/4	20 3/8	50 1/2	16 3/8	22	33	6 5/8	3	8 3/4	2	485	750
284T	25	1800	901773	17 5/8	60 1/4	22	58	16 3/8	22	33	5 13/16	3	8 3/4	2 13/16	485	855
286T	30	1800	901773	17 5/8	61 3/4	22	58	16 3/8	22	33	5 13/16	3	8 3/4	2 13/16	485	870
D160M	15	150	1830	16 1/2	57	20 3/8	50 1/2	16 3/8	22	33	6 5/8	3	8 3/4	2	485	

DIMENSIONS 103-109		TYPE	SIZE	UNIT STYLE	
Section	103	NP	3	HRB	
Effective	March 2006				
Replaces	November 2001				
Page 5 / 7					

LEFT HAND ROTATION SHOWN.



FRAME SIZE	MOTOR		BASE NO.	DIMENSIONS											APPROX. UNIT WT. - POUNDS	
	H. P.	RPM		A	B	C	D	E	F	F1	G	H	J	M	LESS MOTOR	INCL. MOTOR
143T	1	1800	901772	11 1/2	45 3/4	17 1/4	44	14	15	26	7 1/8	2 1/4	7 7/8	1 5/8	400	430
145T	1 1/2 & 2	1800	901772	11 1/2	46 3/4	17 1/4	44	14	15	26	7 1/8	2 1/4	7 7/8	1 5/8	400	435
182T	3	1800	901772	12 1/2	48	17 1/4	44	14	15	26	7 1/8	2 1/4	7 7/8	1 5/8	400	490
184T	5	1800	901772	12 1/2	49	17 1/4	44	14	15	26	7 1/8	2 1/4	7 7/8	1 5/8	400	525
213T	7 1/2	1800	901772	13 3/8	51 1/4	17 1/4	44	14	15	26	7 1/8	2 1/4	7 7/8	1 5/8	400	545
215T	10	1800	901772	13 3/8	52 7/8	17 1/4	44	14	15	26	7 1/8	2 1/4	7 7/8	1 5/8	400	560
254T	15	1800	901773	16 1/8	56 1/4	20 3/8	50 1/2	16 3/8	22	33	9 1/8	3	8 3/4	2	485	725
256T	20	1800	901773	16 1/8	58 1/4	20 3/8	50 1/2	16 3/8	22	33	9 1/8	3	8 3/4	2	485	750
284T	25	1800	901773	17 5/8	60 1/4	22	58	16 3/8	22	33	8 5/16	3	8 3/4	2 13/16	485	855
286T	30	1800	901773	17 5/8	61 3/4	22	58	16 3/8	22	33	8 5/16	3	8 3/4	2 13/16	485	870

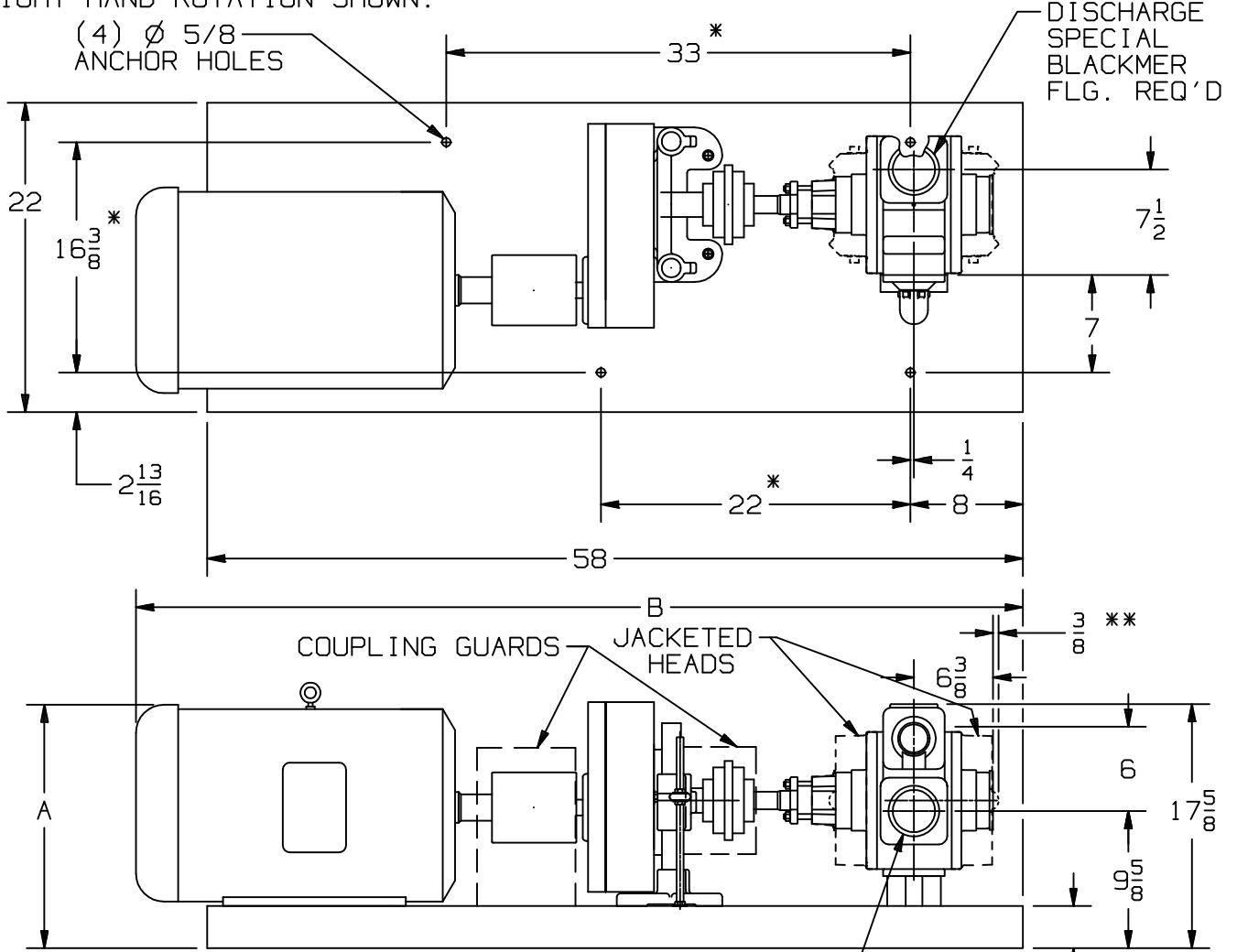


TYPE	SIZE	UNIT STYLE
NP	3	HRC

DIMENSIONS 103-109

Section Effective	100
Replaces	November 2001
Page	November 2000
	6/7

RIGHT HAND ROTATION SHOWN.



UNIT DIMENSIONS LESS FLANGES

* TOLERANCE $\pm \frac{1}{8}$

TOLERANCE ON OTHER DIMENSIONS $\pm \frac{1}{4}$

"A" DIMENSION LESS EYEBOLT

** FOR JACKETED HEADS

FLG. HT: 3" NPT - 1 1/8
3" WELD - 1 1/4

FRAME SIZE	MOTOR		BASE NO.	DIMENSIONS	
				A	B
213T			901798	14 7/8	58 3/4
215T			901798	14 7/8	58 3/4
254T			901798	16 3/8	59 1/2
256T			901798	16 3/8	61 1/4
284T			901798	18	63 1/8
286T			901798	18	64 5/8

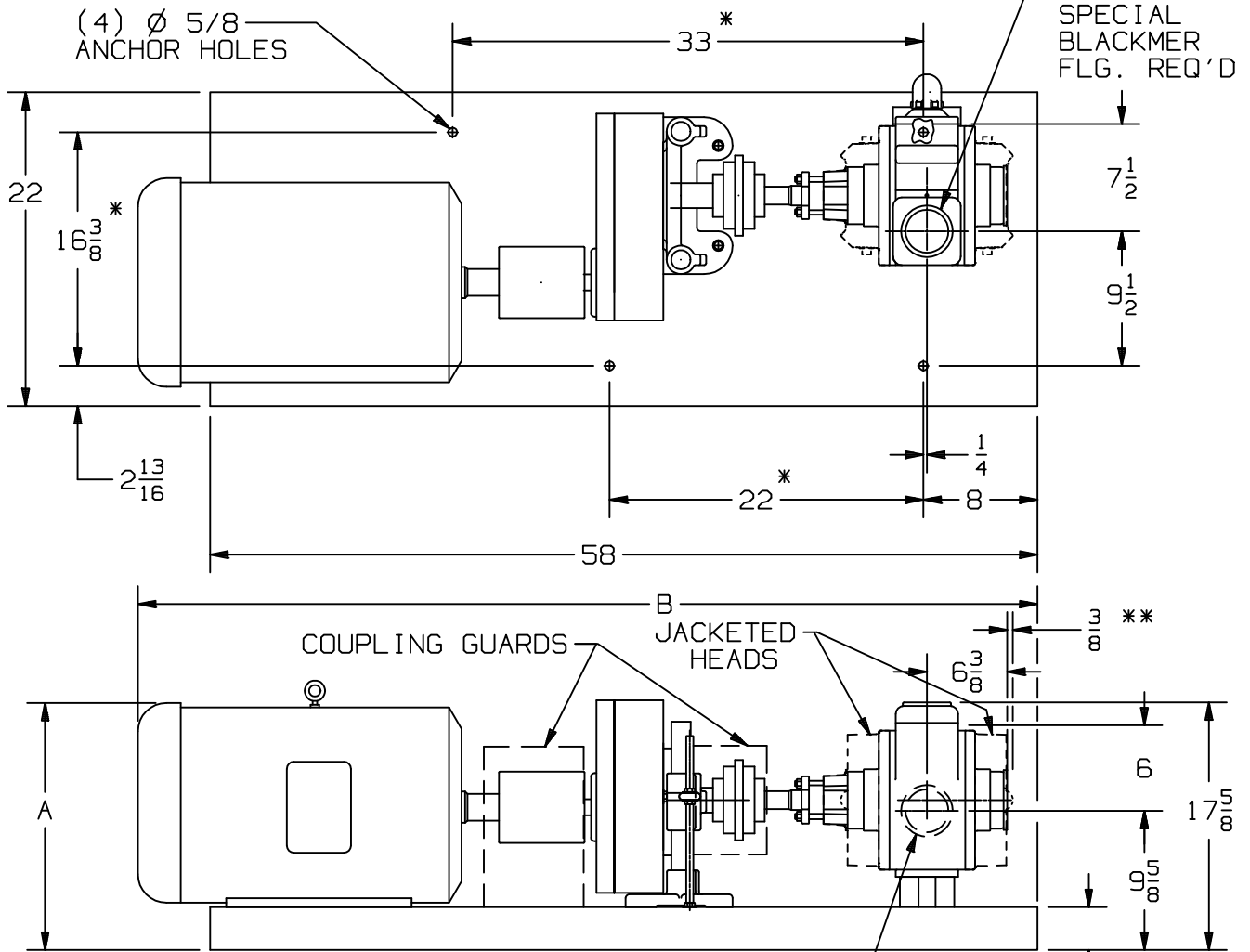
DIMENSIONS 103-109

Section 100
 Effective November 2001
 Replaces November 2000
 Page 7/7

TYPE	SIZE	UNIT STYLE
NP	3	HRC



LEFT HAND ROTATION SHOWN.



UNIT DIMENSIONS LESS FLANGES

* TOLERANCE $\pm \frac{1}{8}$

TOLERANCE ON OTHER DIMENSIONS $\pm \frac{1}{4}$

"A" DIMENSION LESS EYEBOLT

** FOR JACKETED HEADS

FLG. HT: 3" NPT - 1 1/8
 3" WELD - 1 1/4

FRAME SIZE	MOTOR		BASE NO.	DIMENSIONS	
				A	B
213T			901798	14 7/8	58 3/4
215T			901798	14 7/8	58 3/4
254T			901798	16 3/8	59 1/2
256T			901798	16 3/8	61 1/4
284T			901798	18	63 1/8
286T			901798	18	64 5/8