

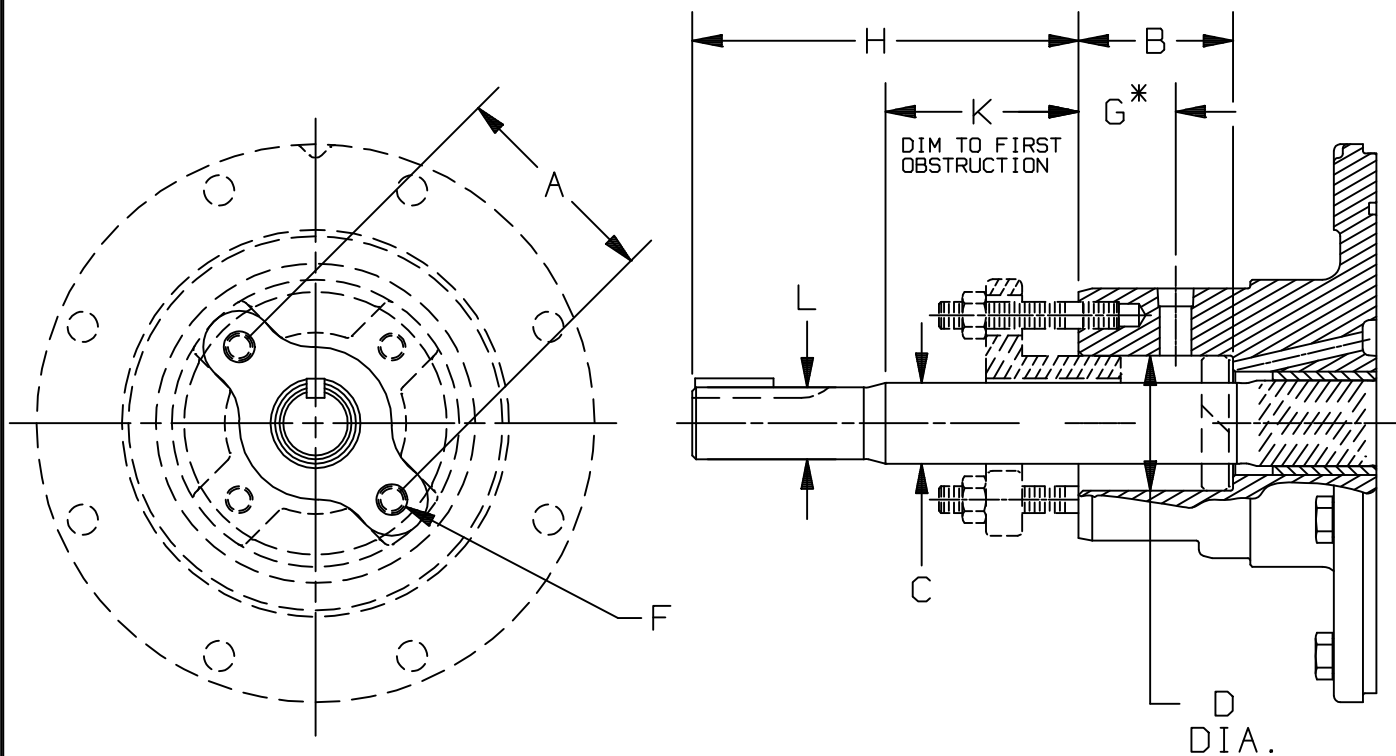


TYPE  
STUFFING BOX  
DIMENSIONS

SIZE  
NP1.5B, NP2F,  
NP2.5F, NP3F,  
NP4F

DIMENSIONS 103-117  
Section 103  
Effective APRIL 2002  
Replaces NEW  
Page 1/1

UNLESS OTHERWISE SPECIFIED  
TOLERANCES  $\pm \frac{1}{8}$



G\* - NP1.5(NON-JACKETED) MODELS ONLY  
4 BOLT STUFFING BOX STANDARD  
ON ALL MODELS EXCEPT NP1.5

PUMP MODEL	UNITS	A	B	C	D	E	F	G	H	J	K	L
NP1.5	IN	2.687	1.805	1.062	1.813	--	3/8-16	1.50	6.406	N/A	4.075	.9995
	MM	68.2	45.8	26.9	46.0	--		38.1	162.7		103.5	25.4
NP2	IN	3.000	2.125	1.125	1.874	--	3/8-16	N/A	5.365	N/A	2.682	.9995
	MM	76.2	53.9	28.5	47.5	--		N/A	136.2		68.1	25.4
NP2.5	IN	3.250	2.230	1.375	2.124	--	3/8-16	N/A	5.750	N/A	2.250	1.250
	MM	82.5	56.6	34.9	53.9	--		N/A	146		57.2	31.8
NP3	IN	3.250	2.230	1.375	2.124	--	3/8-16	N/A	5.750	N/A	2.250	1.250
	MM	82.5	56.6	34.9	53.9	--		N/A	146		57.2	31.8
NP4	IN	4.688	2.275	2.125	3.124	--	5/8-11	N/A	8.142	N/A	4.342	1.999
	MM	119.0	57.7	53.9	79.3	--		N/A	206.8		110.3	50.8