

DIMENSIONS 104-103

Section 104
 Effective JULY 2003
 Replaces APRIL 2003
 Pg 2/3

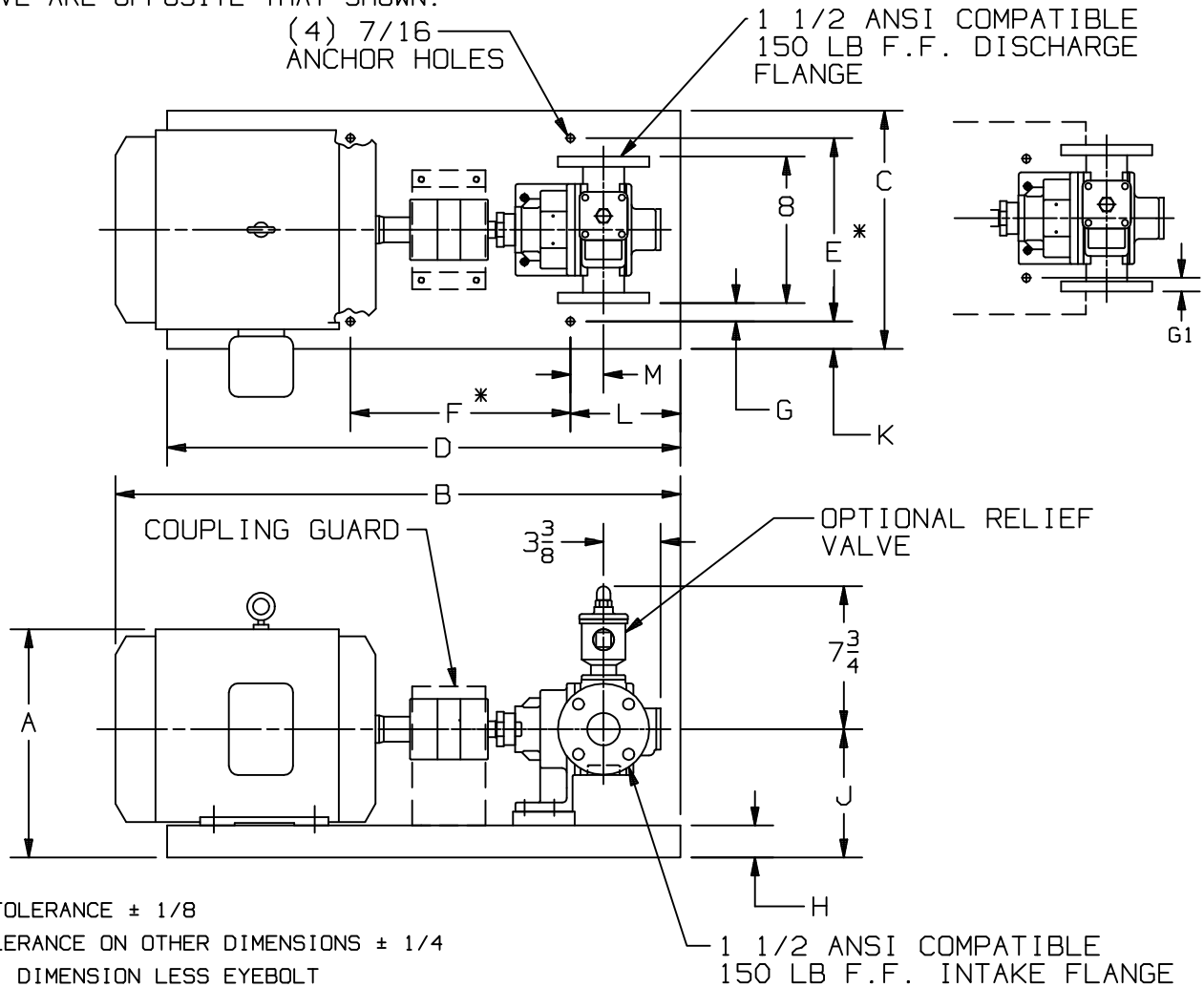
TYPE
 SNP - SNPJ

SIZE
 1.25
 1.5

UNIT
 STYLE
 DM



RIGHT HAND ROTATION. FOR LEFT HAND ROTATION, INTAKE, DISCHARGE, AND RELIEF VALVE ARE OPPOSITE THAT SHOWN.



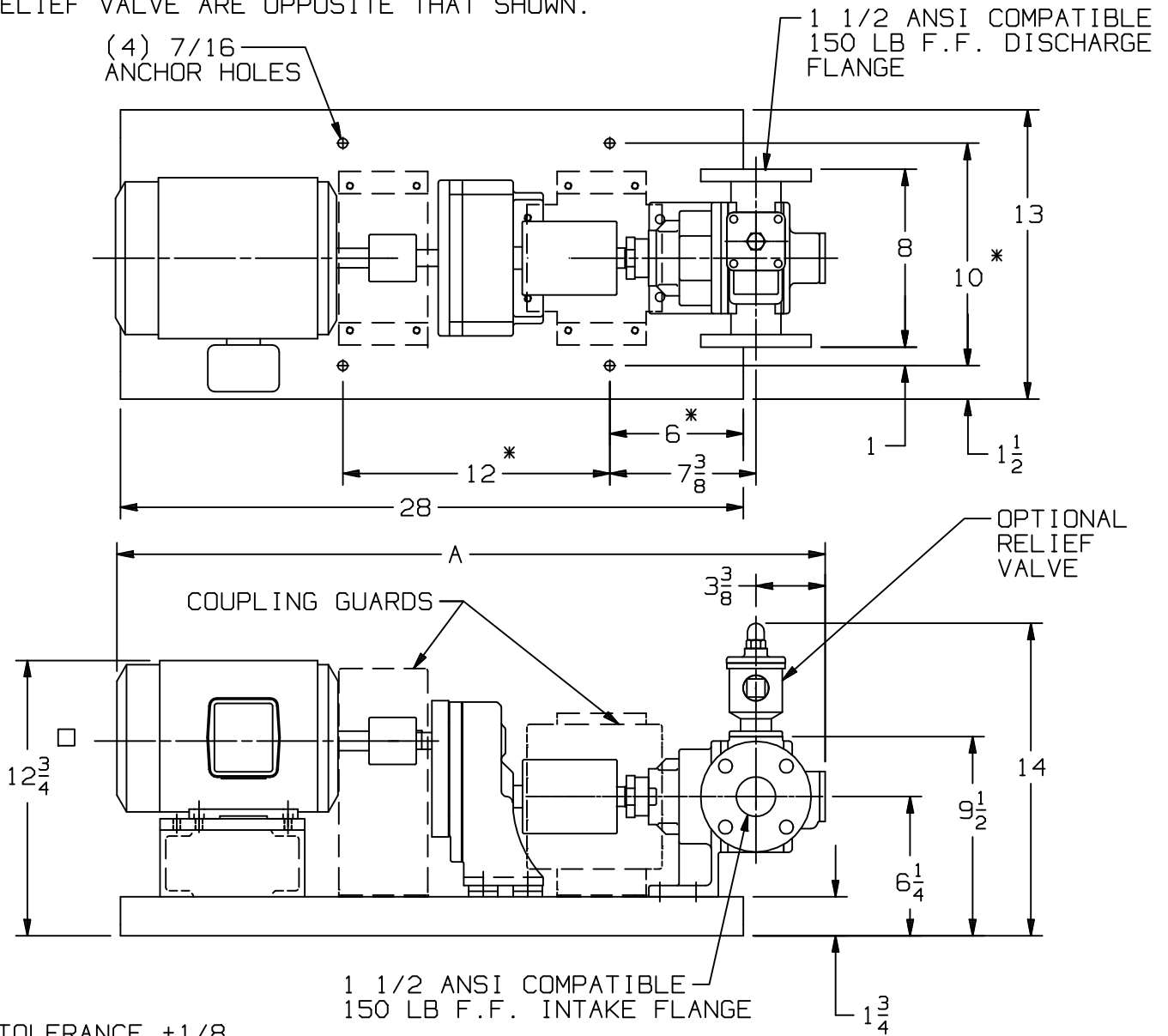
* TOLERANCE ± 1/8
 TOLERANCE ON OTHER DIMENSIONS ± 1/4
 "A" DIMENSION LESS EYEBOLT

FRAME SIZE	MOTOR		BASE NO.	DIMENSIONS								APPROX. UNIT WT. - POUNDS		
				A	B	C	D	E	F	G	G1	H	LESS MOTOR	INCL. MOTOR
143T			901707	10	26 7/8	8	18	6	6 3/4	-	1	1 1/2	55	95
145T			901707	10	27 3/4	8	18	6	6 3/4	-	1	1 1/2	55	100
182T			901708	11 1/8	28 1/4	10 1/2	21	6 1/2	6 3/4	-	3/4	1 1/2	65	155
184T			901708	11 1/8	30	10 1/2	21	6 1/2	6 3/4	-	3/4	1 1/2	65	190
213T			901709	12 7/8	32 7/8	13	28	10	12	1	-	1 3/4	90	225
215T			901709	12 7/8	33 5/8	13	28	10	12	1	-	1 3/4	90	245
				J	K	L	M							
143T			901707	6	1	3 1/4	4 3/8							
145T			901707	6	1	3 1/4	4 3/8							
182T			901708	6	2	3 1/4	4 3/8							
184T			901708	6	2	3 1/4	4 3/8							
213T			901709	7	1 1/2	6	1 3/4							
215T			901709	7	1 1/2	6	1 3/4							



TYPE	SIZE	UNIT STYLE	DIMENSIONS 104-103	
	SNP-SNPJ	1.25A 1.5A	HROF	Section 104 Effective MARCH 2003 Replaces New Page 3/3

RIGHT HAND ROTATION. FOR LEFT HAND ROTATION, INTAKE, DISCHARGE, AND RELIEF VALVE ARE OPPOSITE THAT SHOWN.



*TOLERANCE ±1/8
TOLERANCE ON OTHER DIMENSIONS ±1/4
□ DIMENSION LESS EYE BOLT

MOTOR		BASE NO.	DIMENSIONS									
FRAME SIZE			A									
143T		901842	34 3/4									
145T		901842	35 3/8									