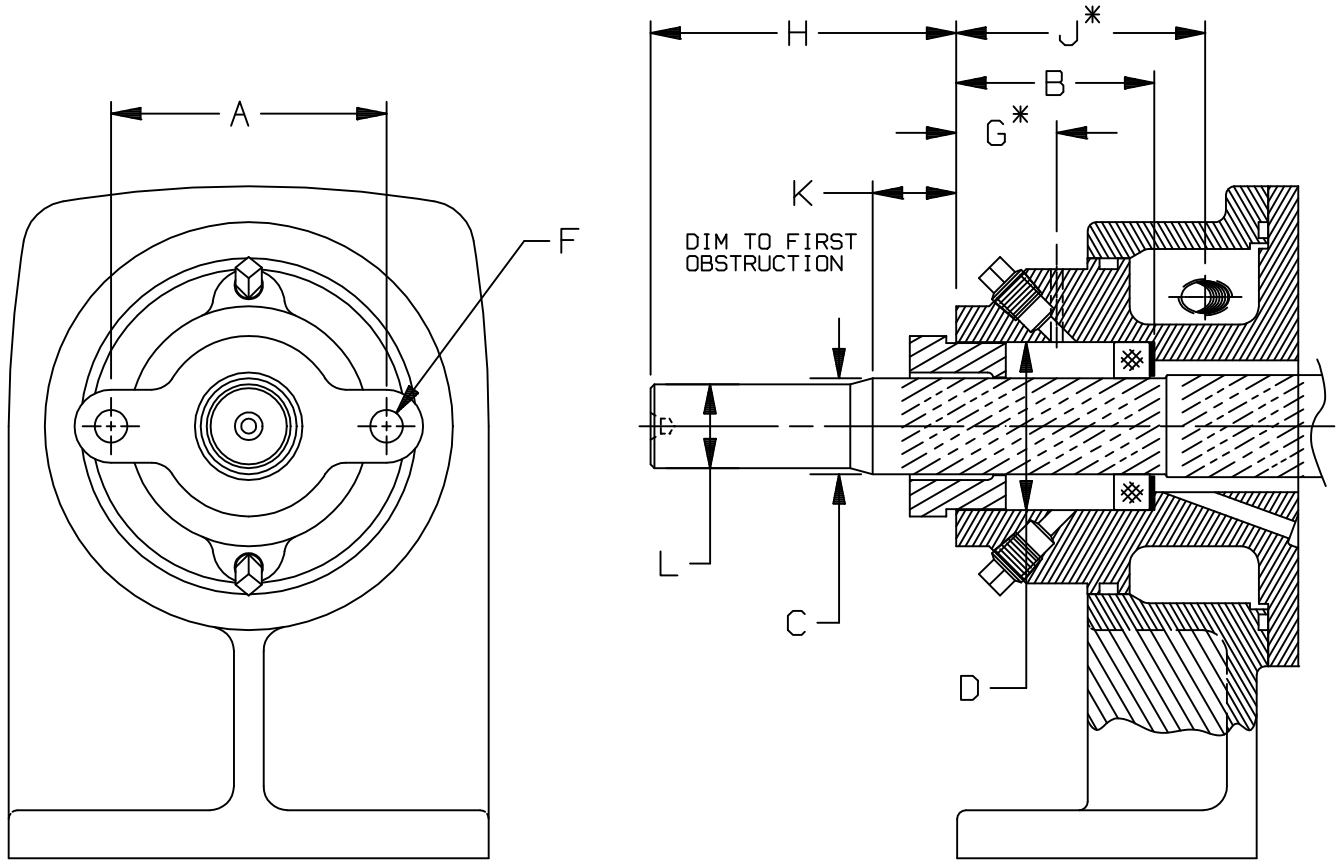




TYPE	SIZE
STUFFING BOX DIMENSIONS	SNP1.25, SNP1.5, SNP2, SNP2.5, SNP3A

DIMENSIONS 104-113	
Section	104
Effective	APRIL 2003
Replaces	APRIL 2002
Page 1/1	

UNLESS OTHERWISE SPECIFIED
TOLERANCES $\pm \frac{1}{8}$



J* ~ IS A FLUSH HOLE DIMENSION
CPLG = COUPLING FACE IS FIRST OBSTRUCTION

PUMP MODEL	UNITS	A	B	C	D	E	F	G	H	J	K	L
SNP1.25	IN	2.875	2.062	.999	1.750	—	5/16-18	.97	3.19	1.12	.87	.875
	MM	73,0	52,4	25,3	44,4	—		24,6	81,0	28,4	22,1	22,2
SNP1.5	IN	2.875	2.062	.999	1.750	—	5/16-18	.97	3.19	1.12	.87	.875
	MM	73,0	52,4	25,3	44,4	—		24,6	81,0	28,4	22,1	22,2
SNP2	IN	2.875	3.093	.999	1.750	—	5/16-18	.97	5.03	2.09	CPLG	1.000
	MM	73,0	78,6	25,3	44,4	—		24,6	127,7	53,1	CPLG	25,4
SNP2.5	IN	3.250	3.000	1.372	2.126	—	3/8-16	1.12	4.50	2.00	.53	1.125
	MM	82,6	76,2	34,8	54,0	—		28,4	114,3	50,8	13,4	28,5
SNP3A	IN	3.250	2.000	1.372	2.125	—	3/8-16	1.12	7.76	N/A	2.060	1.250
	MM	82,6	50,8	34,8	53,9	—		28,4	197,1	N/A	52,3	31,7