

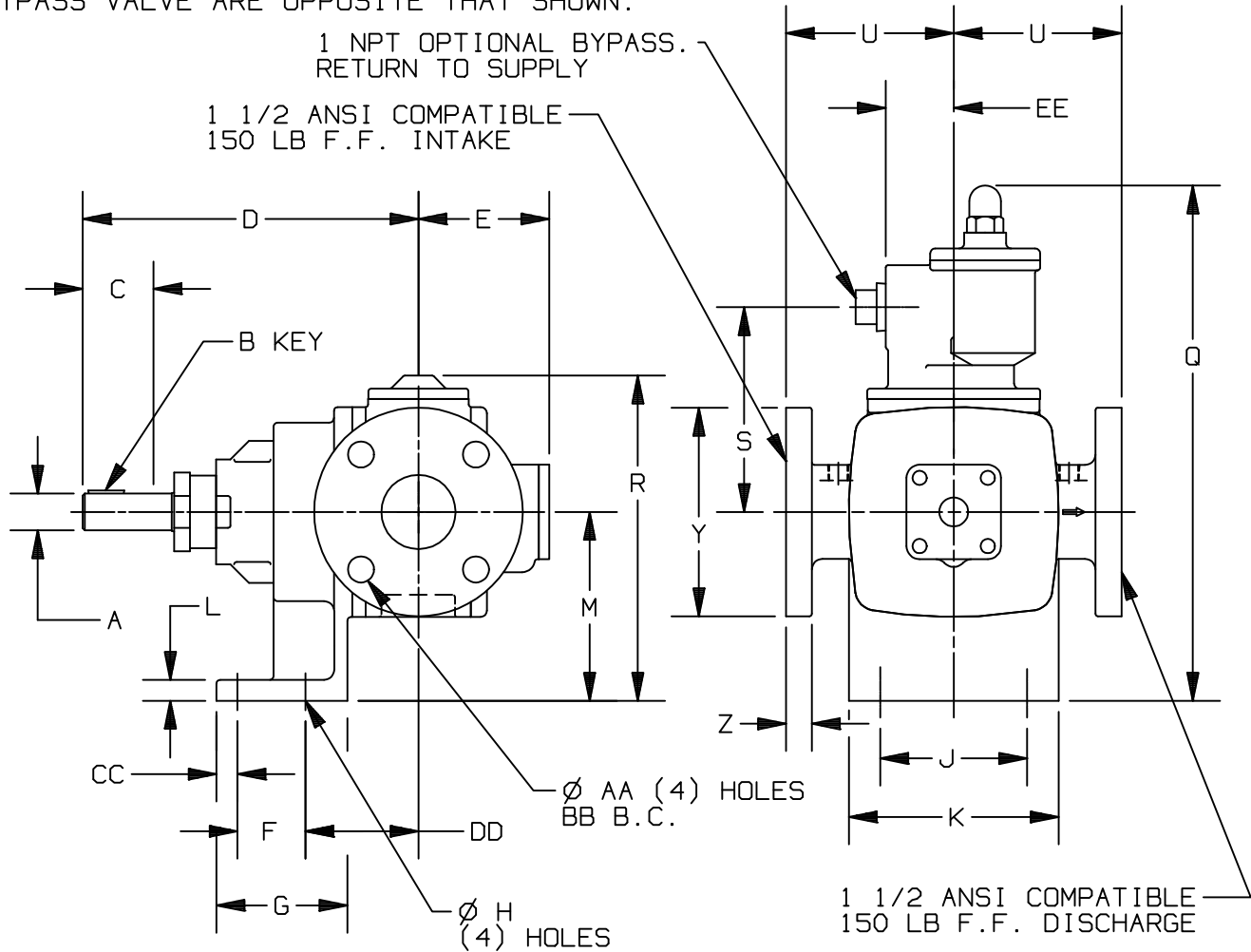
DIMENSIONS 104-103

Section 104  
 Effective APRIL 2003  
 Replaces JANUARY 2000  
 Pg 1/3

TYPE	SIZE	UNIT STYLE
SNP-SNPJ	1.25 1.50	PO



RIGHT HAND ROTATION. FOR LEFT HAND ROTATION PUMP SHAFT PROJECTION AND BYPASS VALVE ARE OPPOSITE THAT SHOWN.



MOTOR		UNITS	DIMENSIONS									
FRAME SIZE			A	B	C	D	E	F	G	H	J	K
		IN	7/8	3/16	1 11/16	8	3 3/8	1 5/8	3 1/8	7/16	3 1/2	5
		MM	22.2	4.8	42.9	203.2	85.7	41.3	79.4	11.1	88.9	127
			L	M	N	P	Q	R	S	T	U	V
		IN	1/2	4 1/2	—	—	12 1/4	7 3/4	4 7/8	—	4	—
		MM	12.7	114.3	—	—	311.1	196.9	123.8	—	101.6	—
			W	X	Y	Z	AA	BB	CC	DD	EE	
		IN	—	—	5	9/16	5/8	3 7/8	1/2	2 11/16	1 3/8	
		MM	—	—	127	14.3	15.9	98.4	12.7	68.3	34.9	
			WEIGHT									
		LBS	40									
		KG	18.2									

**DIMENSIONS 104-103**

Section 104  
 Effective JULY 2003  
 Replaces APRIL 2003  
 Pg 2/3

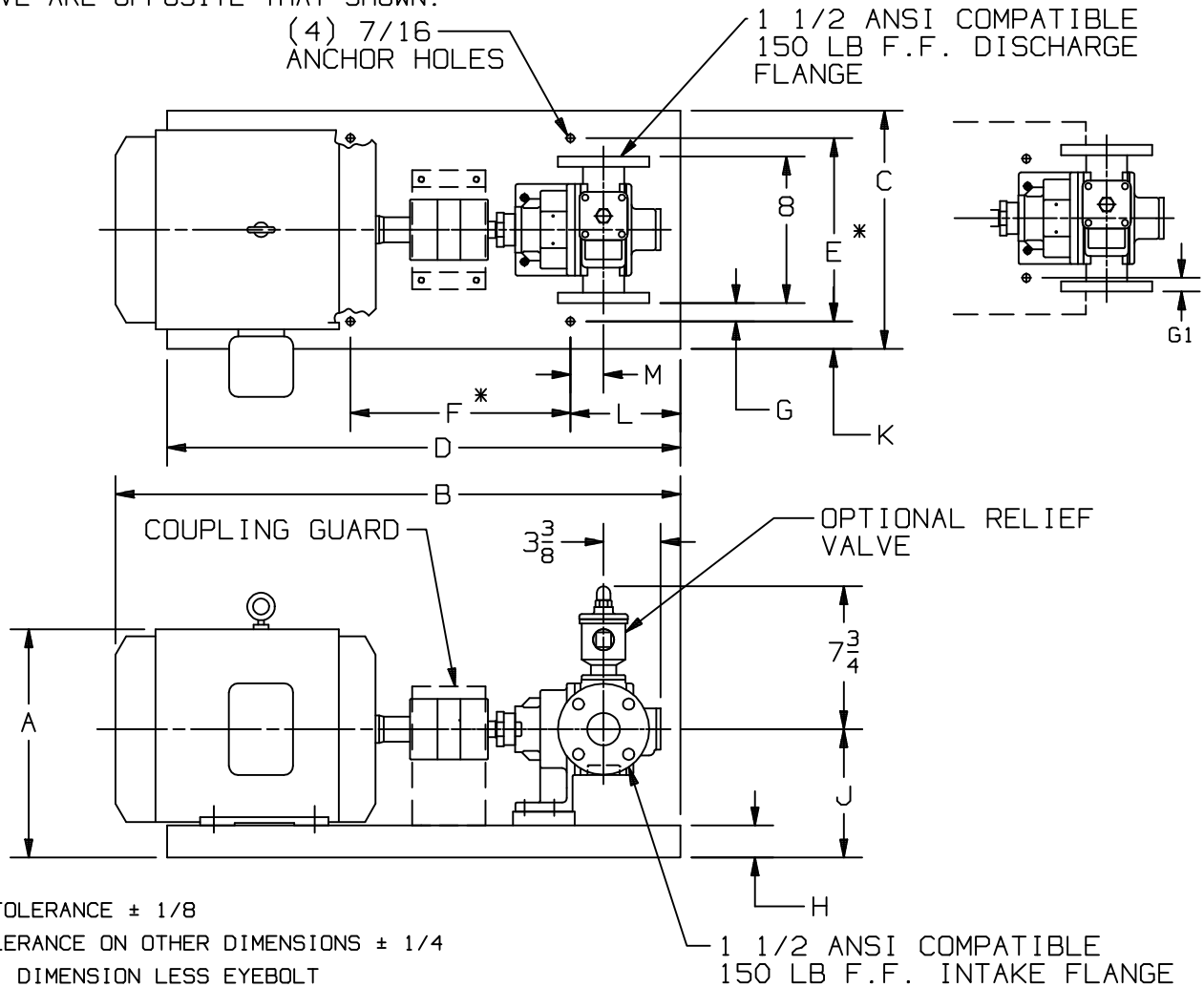
TYPE  
 SNP - SNPJ

SIZE  
 1.25  
 1.5

UNIT  
 STYLE  
 DM



RIGHT HAND ROTATION. FOR LEFT HAND ROTATION, INTAKE, DISCHARGE, AND RELIEF VALVE ARE OPPOSITE THAT SHOWN.



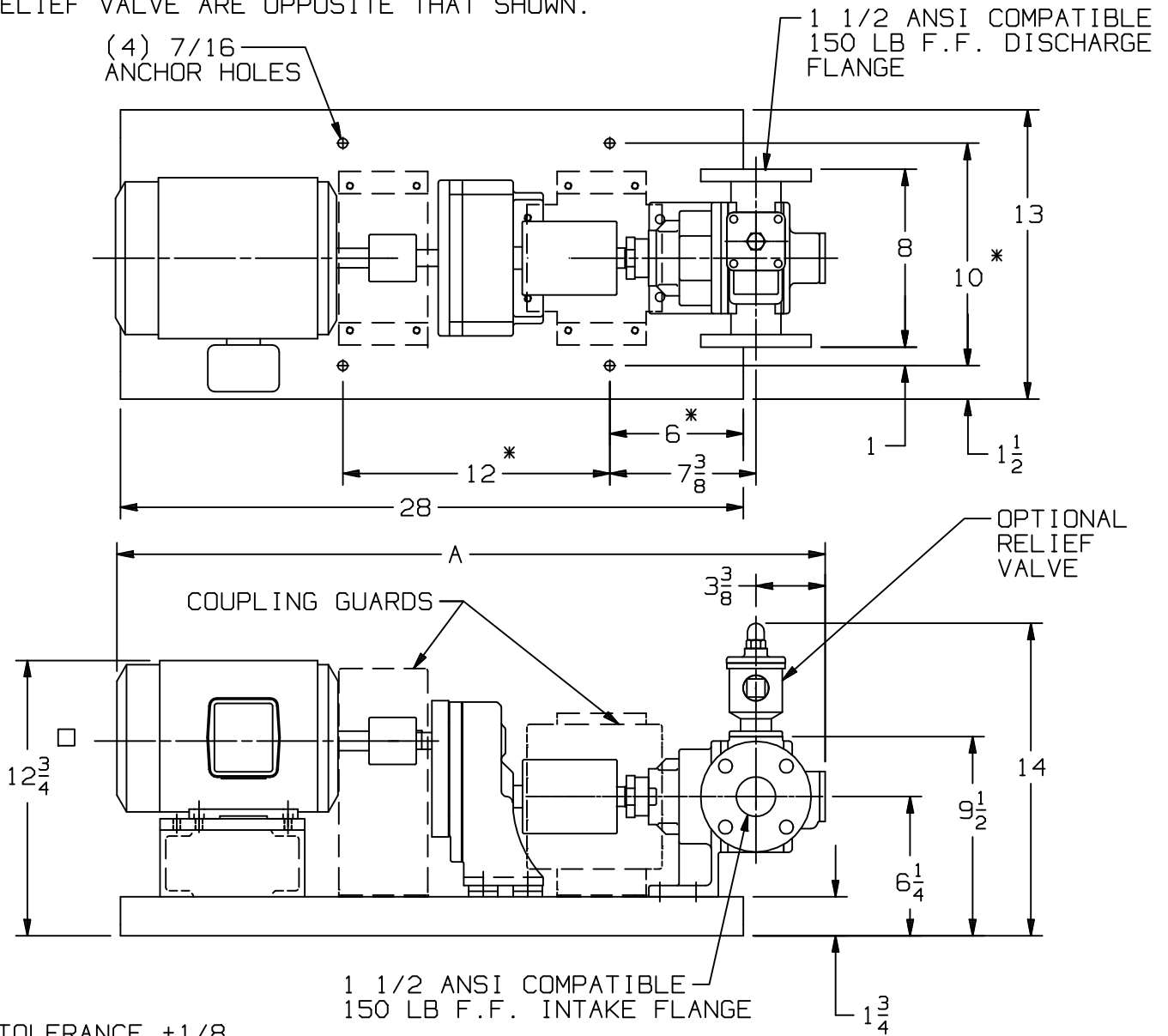
\* TOLERANCE ± 1/8  
 TOLERANCE ON OTHER DIMENSIONS ± 1/4  
 "A" DIMENSION LESS EYEBOLT

FRAME SIZE	MOTOR		BASE NO.	DIMENSIONS								APPROX. UNIT WT. - POUNDS		
				A	B	C	D	E	F	G	G1	H	LESS MOTOR	INCL. MOTOR
143T			901707	10	26 7/8	8	18	6	6 3/4	-	1	1 1/2	55	95
145T			901707	10	27 3/4	8	18	6	6 3/4	-	1	1 1/2	55	100
182T			901708	11 1/8	28 1/4	10 1/2	21	6 1/2	6 3/4	-	3/4	1 1/2	65	155
184T			901708	11 1/8	30	10 1/2	21	6 1/2	6 3/4	-	3/4	1 1/2	65	190
213T			901709	12 7/8	32 7/8	13	28	10	12	1	-	1 3/4	90	225
215T			901709	12 7/8	33 5/8	13	28	10	12	1	-	1 3/4	90	245
				J	K	L	M							
143T			901707	6	1	3 1/4	4 3/8							
145T			901707	6	1	3 1/4	4 3/8							
182T			901708	6	2	3 1/4	4 3/8							
184T			901708	6	2	3 1/4	4 3/8							
213T			901709	7	1 1/2	6	1 3/4							
215T			901709	7	1 1/2	6	1 3/4							



TYPE	SIZE	UNIT STYLE	DIMENSIONS 104 - 103	
	SNP-SNPJ	1.25A 1.5A	HROF	Section 104 Effective MARCH 2003 Replaces New Page 3/3

RIGHT HAND ROTATION. FOR LEFT HAND ROTATION, INTAKE, DISCHARGE, AND RELIEF VALVE ARE OPPOSITE THAT SHOWN.



\*TOLERANCE ±1/8  
TOLERANCE ON OTHER DIMENSIONS ±1/4  
□ DIMENSION LESS EYE BOLT

MOTOR		BASE NO.	DIMENSIONS									
FRAME SIZE			A									
143T		901842	34 3/4									
145T		901842	35 3/8									