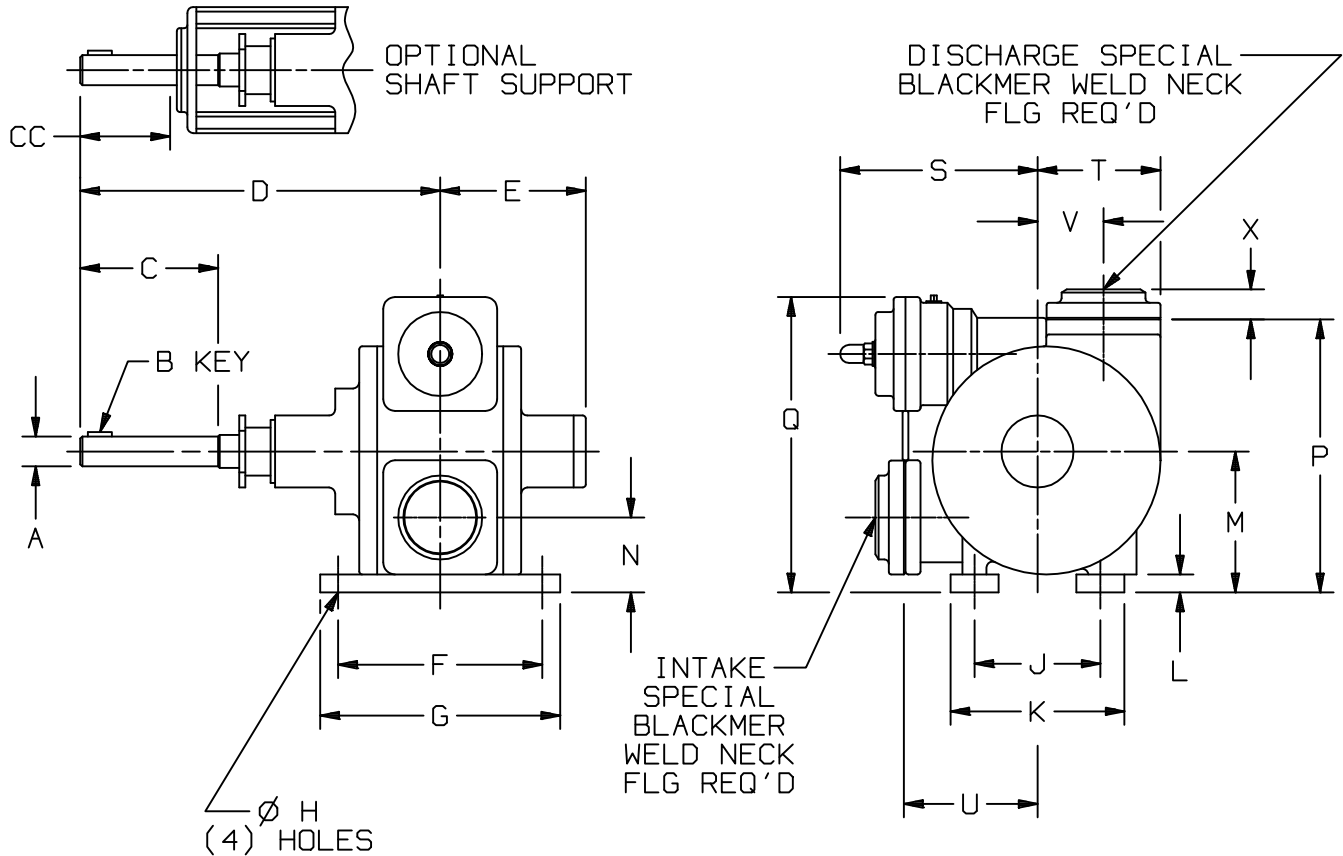


DIMENSIONS 104-109
 Section Effective 104
 Replaces APRIL 2003
 Pg 1/7 DECEMBER 1999

TYPE	SIZE	UNIT STYLE
SNP	3A	PO



RIGHT HAND ROTATION. FOR LEFT HAND ROTATION SHAFT PROJECTION IS OPPOSITE THAT SHOWN.



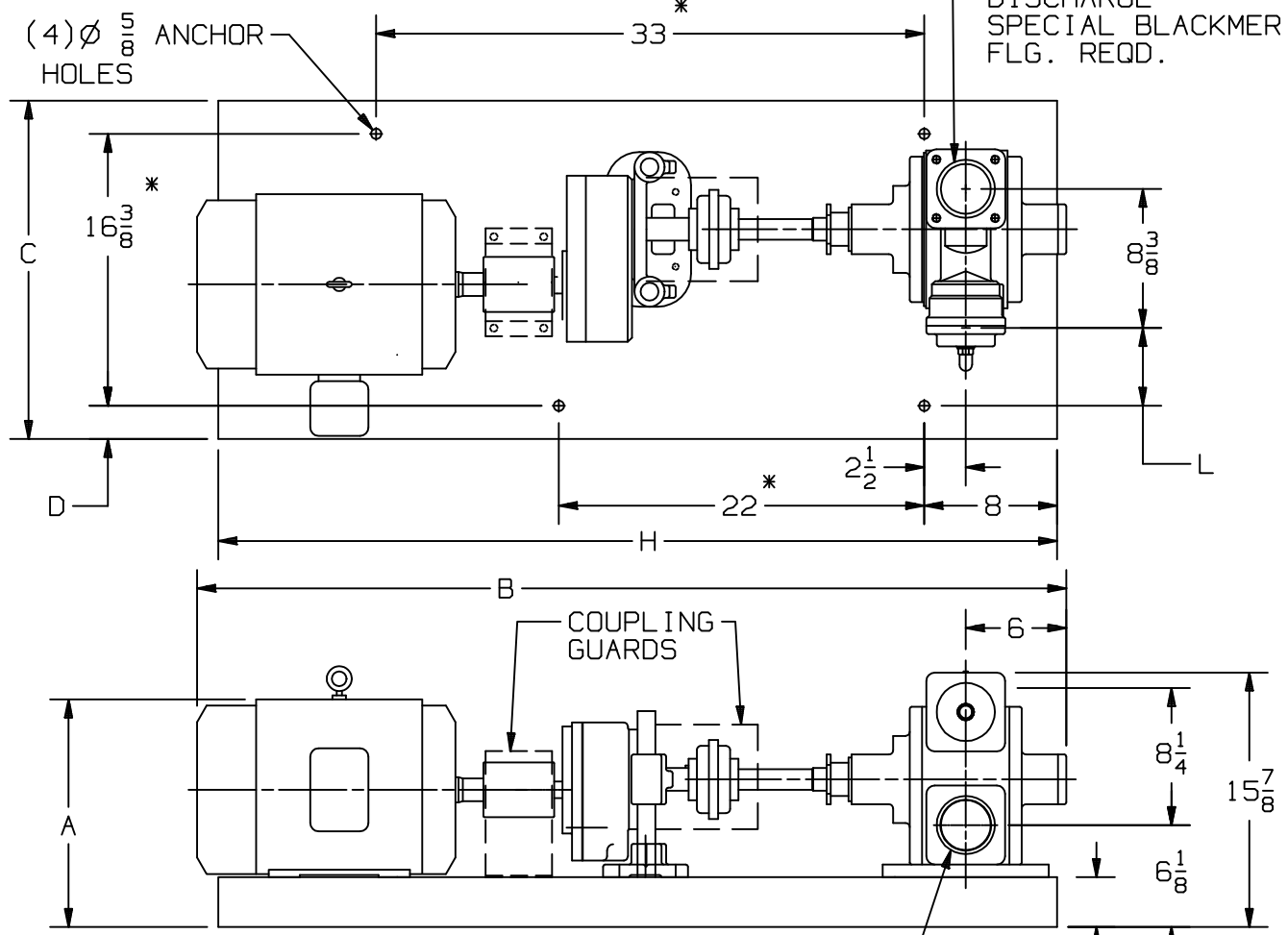
MOTOR		UNITS	DIMENSIONS									
FRAME SIZE			A	B	C	D	E	F	G	H	J	K
		IN	1 1/4	5/16	5 3/4	15	6	8 1/2	10	5/8	5 1/4	7 1/4
		MM	31,8	7,9	146	381	152	215,9	254	15,9	133,4	184,1
			L	M	N	P	Q	R	S	T	U	V
		IN	3/4	5 7/8	3 1/8	11 3/8	12 1/2	—	8 1/16	5 1/8	5 7/8	2 7/16
		MM	19	149,2	79,4	288,9	317,5	—	204,8	130,2	149,2	61,9
			W	X	Y	Z	AA	BB	CC	DD	EE	FF
		IN	—	1 1/4	—	—	—	—	3 7/8	—	—	—
		MM	—	31,8	—	—	—	—	98,4	—	—	—
			WEIGHT									
		LBS	130									
		KG	59,0									



TYPE	SIZE	UNIT STYLE
SNP	3	HRA. 1

DIMENSIONS 104-109	
Section	104
Effective	OCT 2003
Replaces	APRIL 2003
Pg 2/7	

RIGHT HAND ROTATION



UNIT DIMENSION LESS FLANGES

* TOLERANCE $\pm \frac{1}{8}$

TOLERANCE ON OTHER DIMENSIONS $\pm \frac{1}{4}$

"A" DIMENSION LESS EYEBOLT

FLG HT: WELD - 1 1/4

MOTOR			BASE NO.	DIMENSIONS						
FRAME SIZE				UNITS	A	B	C	D	H	L
182T			901757	IN	12 5/8	51 3/4	20 3/8	2	50 1/2	4 3/4
				MM	320,7	1314,5	517,5	50,8	1282,7	120,7
184T			901757	IN	12 5/8	51 3/4	20 3/8	2	50 1/2	4 3/4
				MM	320,7	1314,5	517,5	50,8	1282,7	120,7
213T			901757	IN	14 1/8	53 1/2	20 3/8	2	50 1/2	4 3/4
				MM	358,8	1358,9	517,5	50,8	1282,7	120,7
215T			901757	IN	14 1/8	54 1/4	20 3/8	2	50 1/2	4 3/4
				MM	358,8	1378,0	517,5	50,8	1282,7	120,7
254T			901037	IN	15 7/8	58 3/8	22	2 13/16	58	3 15/16
				MM	403,2	1482,7	558,8	71,4	1473,2	100
256T			901037	IN	15 7/8	58 3/8	22	2 13/16	58	3 15/16
				MM	403,2	1482,7	558,8	71,4	1473,2	100

DIMENSIONS 104-109

Section 104
 Effective OCT 2003
 Replaces APRIL 2003
 Pg 3/7

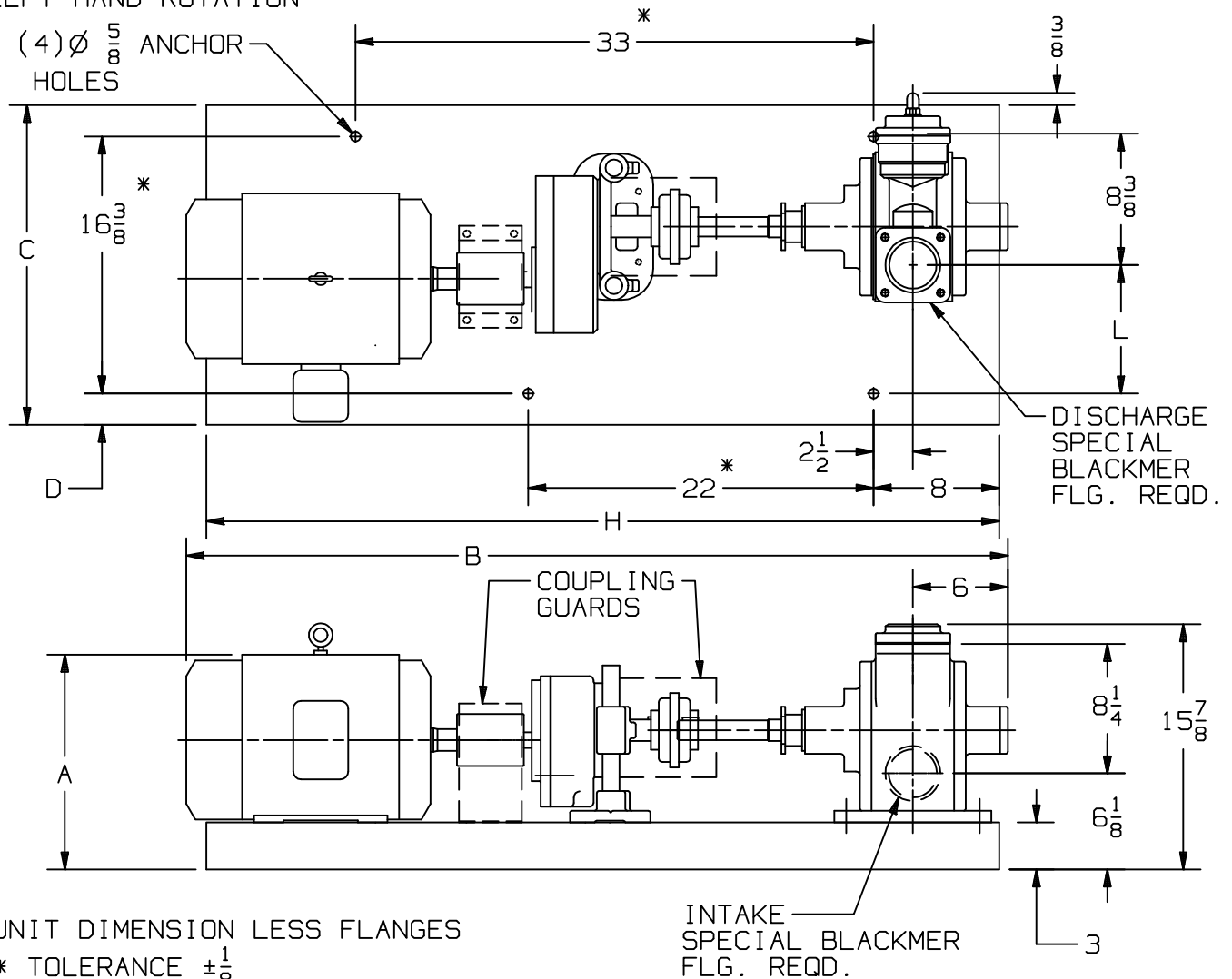
TYPE
 SNP

SIZE
 3

UNIT
 STYLE
 HRA. 1



LEFT HAND ROTATION



UNIT DIMENSION LESS FLANGES

* TOLERANCE $\pm \frac{1}{8}$

TOLERANCE ON OTHER DIMENSIONS $\pm \frac{1}{4}$

"A" DIMENSION LESS EYEBOLT

FLG HT: WELD - 1 1/4

MOTOR			DIMENSIONS						
FRAME SIZE		BASE NO.	UNITS	A	B	C	D	H	L
182T		901757	IN	12 $\frac{5}{8}$	51 $\frac{3}{4}$	20 $\frac{3}{8}$	2	50 $\frac{1}{2}$	8 $\frac{3}{16}$
			MM	320,7	1314,5	517,5	50,8	1282,7	208
184T		901757	IN	12 $\frac{5}{8}$	51 $\frac{3}{4}$	20 $\frac{3}{8}$	2	50 $\frac{1}{2}$	8 $\frac{3}{16}$
			MM	320,7	1314,5	517,5	50,8	1282,7	208
213T		901757	IN	14 $\frac{1}{8}$	53 $\frac{1}{2}$	20 $\frac{3}{8}$	2	50 $\frac{1}{2}$	8 $\frac{3}{16}$
			MM	358,8	1358,9	517,5	50,8	1282,7	208
215T		901757	IN	14 $\frac{1}{8}$	54 $\frac{1}{4}$	20 $\frac{3}{8}$	2	50 $\frac{1}{2}$	8 $\frac{3}{16}$
			MM	358,8	1378,0	517,5	50,8	1282,7	208
254T		901037	IN	15 $\frac{7}{8}$	58 $\frac{3}{8}$	22	2 $\frac{13}{16}$	58	7 $\frac{3}{8}$
			MM	403,2	1482,7	558,8	71,4	1473,2	187,3
256T		901037	IN	15 $\frac{7}{8}$	58 $\frac{3}{8}$	22	2 $\frac{13}{16}$	58	7 $\frac{3}{8}$
			MM	403,2	1482,7	558,8	71,4	1473,2	187,3

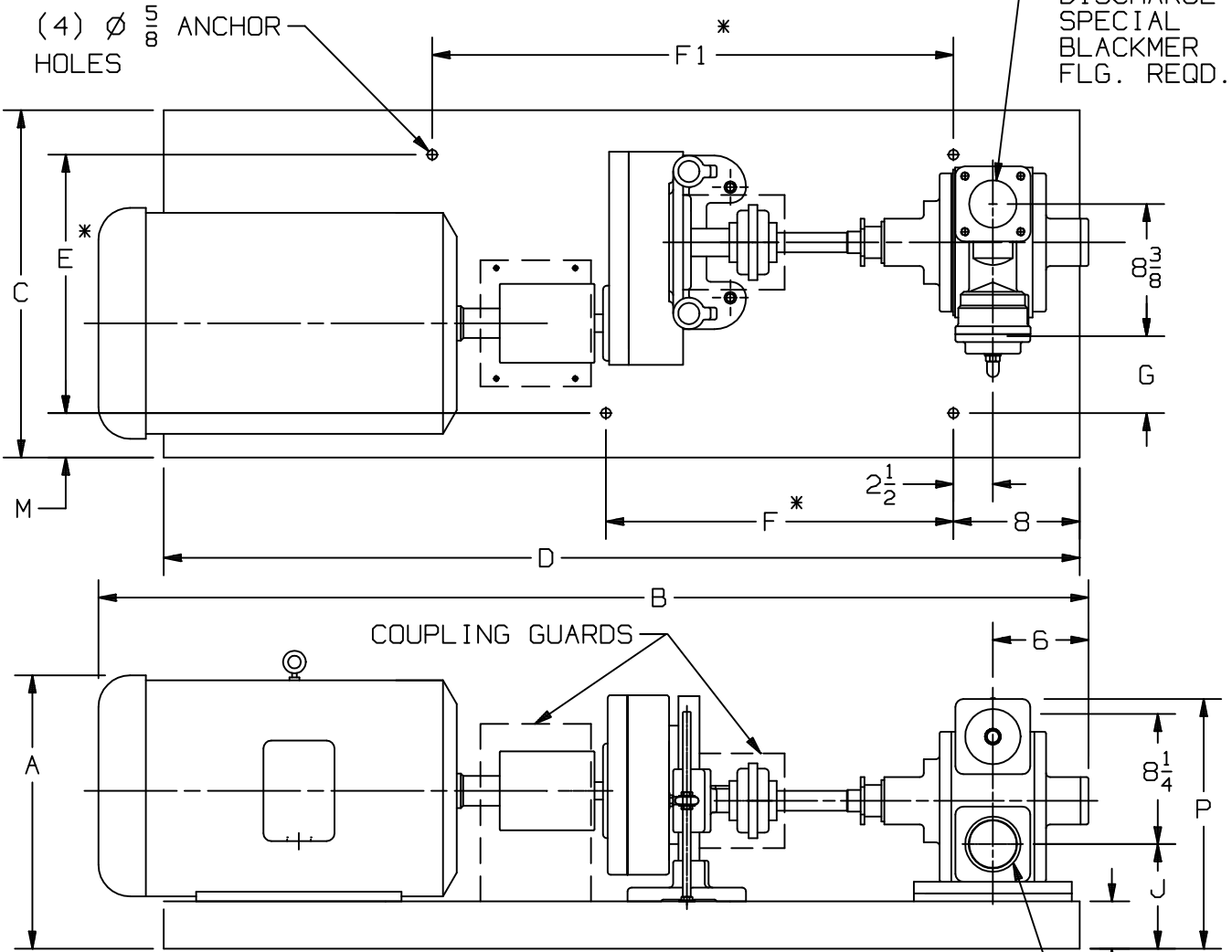
DIMENSIONS 104-109

Section 104
 Effective APRIL 2003
 Replaces FEBRUARY 2000
 Pg 4/7

TYPE	SIZE	UNIT STYLE
SNP	3	HRB



RIGHT HAND ROTATION



UNIT DIMENSION LESS FLANGES

* TOLERANCE $\pm \frac{1}{8}$
 TOLERANCE ON OTHER DIMENSIONS $\pm \frac{1}{4}$
 "A" DIMENSION LESS EYEBOLT

INTAKE SPECIAL BLACKMER FLG. REQD.

FLG. HT: WELD - 1 1/4

MOTOR			DIMENSIONS												
FRAME SIZE		BASE NO.	UNITS	A	B	C	D	E	F	F1	G	H	J	M	P
143 T		901760	IN	11 3/4	49 3/8	17 1/4	44	14	15	26	2 3/4	2 1/4	5 7/8	1 5/8	15 5/8
145 T		901760	IN	11 3/4	50 1/4	17 1/4	44	14	15	26	2 3/4	2 1/4	5 7/8	1 5/8	15 5/8
182 T		901762	IN	13 5/8	51 3/4	20 3/8	50 1/2	16 3/8	22	33	5 1/4	3	6 5/8	2	16 3/8
184 T		901762	IN	13 5/8	52 3/8	20 3/8	50 1/2	16 3/8	22	33	5 1/4	3	6 5/8	2	16 3/8
213 T		901762	IN	14 3/8	54 3/8	20 3/8	50 1/2	16 3/8	22	33	5 1/4	3	6 5/8	2	16 3/8
215 T		901762	IN	14 3/8	55 1/8	20 3/8	50 1/2	16 3/8	22	33	5 1/4	3	6 5/8	2	16 3/8
254 T		901764	IN	17 1/8	59 1/4	22	58	16 3/8	22	33	5	3	6 5/8	2 13/16	16 3/8
256 T		901764	IN	17 1/8	60 5/8	22	58	16 3/8	22	33	5	3	6 5/8	2 13/16	16 3/8
284 T		901764	IN	18	62 5/8	22	58	16 3/8	22	33	5	3	6 5/8	2 13/16	16 3/8
286 T		901764	IN	18	64 1/8	22	58	16 3/8	22	33	5	3	6 5/8	2 13/16	16 3/8

DIMENSIONS 104-109

Section 104
 Effective APRIL 2003
 Replaces FEBRUARY 2000
 Pg 5/7

TYPE

SIZE

UNIT
 STYLE

SNP

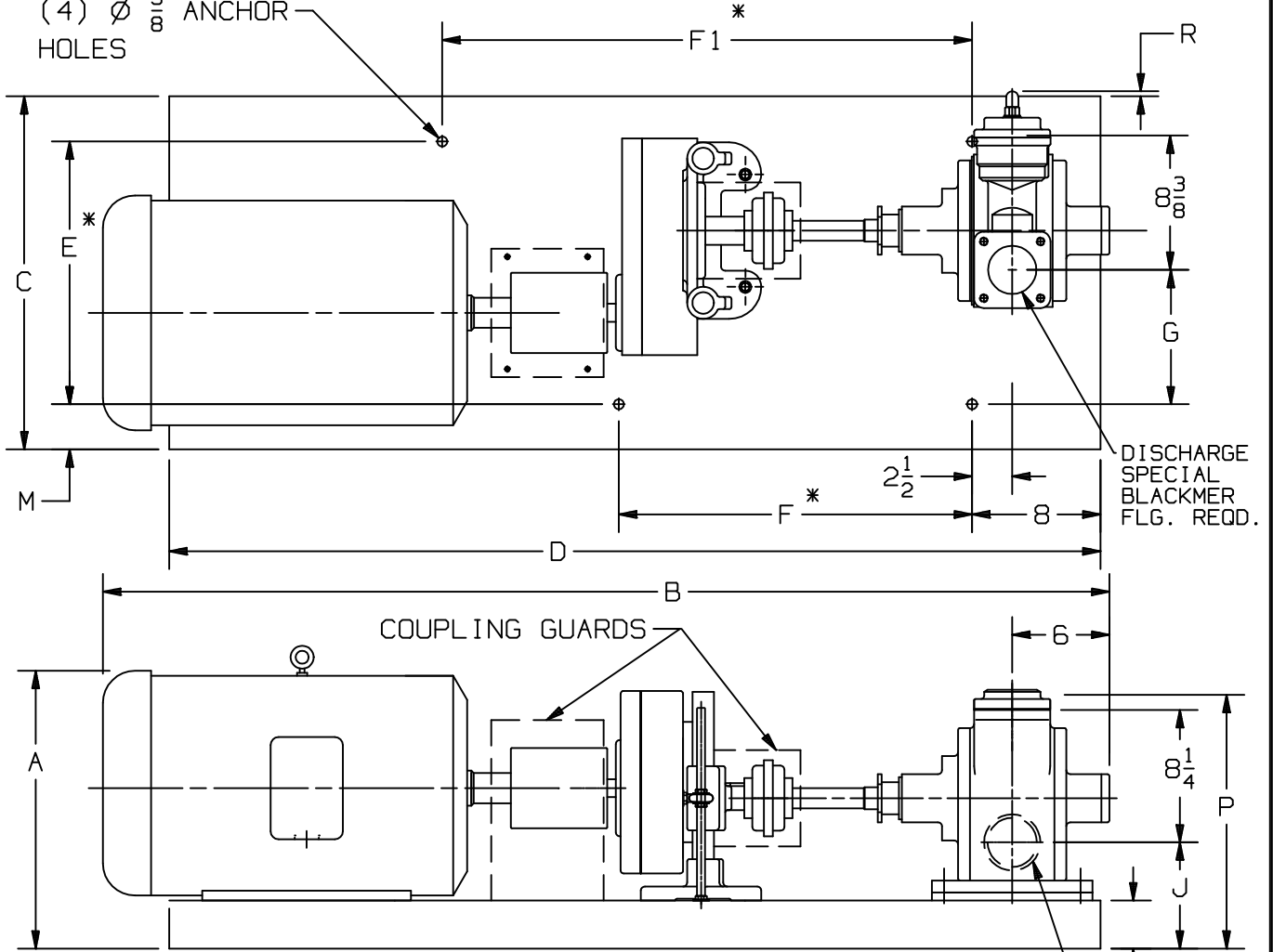
3

HRB



LEFT HAND ROTATION

(4) $\varnothing \frac{5}{8}$ ANCHOR HOLES



UNIT DIMENSION LESS FLANGES

* TOLERANCE $\pm \frac{1}{8}$
 TOLERANCE ON OTHER DIMENSIONS $\pm \frac{1}{4}$
 "A" DIMENSION LESS EYEBOLT

INTAKE SPECIAL BLACKMER FLG. REQD.

FLG. HT: WELD - 1 1/4

MOTOR		BASE NO.	DIMENSIONS													
FRAME SIZE			UNITS	A	B	C	D	E	F	F1	G	H	J	M	P	R
143 T		901760	IN	11 3/4	49 3/8	17 1/4	44	14	15	26	5 7/8	2 1/4	5 7/8	1 5/8	15 5/8	1 1/8
145 T		901760	IN	11 3/4	50 1/4	17 1/4	44	14	15	26	5 7/8	2 1/4	5 7/8	1 5/8	15 5/8	1 1/8
182 T		901762	IN	13 5/8	51 3/4	20 3/8	50 1/2	16 3/8	22	33	8 3/8	3	6 5/8	2	16 3/8	7/8
184 T		901762	IN	13 5/8	52 3/8	20 3/8	50 1/2	16 3/8	22	33	8 3/8	3	6 5/8	2	16 3/8	7/8
213 T		901762	IN	14 3/8	54 3/8	20 3/8	50 1/2	16 3/8	22	33	8 3/8	3	6 5/8	2	16 3/8	7/8
215 T		901762	IN	14 3/8	55 1/8	20 3/8	50 1/2	16 3/8	22	33	8 3/8	3	6 5/8	2	16 3/8	7/8
254 T		901764	IN	17 1/8	59 1/4	22	58	16 3/8	22	33	8 1/8	3	6 5/8	2 13/16	16 3/8	3/8
256 T		901764	IN	17 1/8	60 5/8	22	58	16 3/8	22	33	8 1/8	3	6 5/8	2 13/16	16 3/8	3/8
284 T		901764	IN	18	62 5/8	22	58	16 3/8	22	33	8 1/8	3	6 5/8	2 13/16	16 3/8	3/8
286 T		901764	IN	18	64 1/8	22	58	16 3/8	22	33	8 1/8	3	6 5/8	2 13/16	16 3/8	3/8

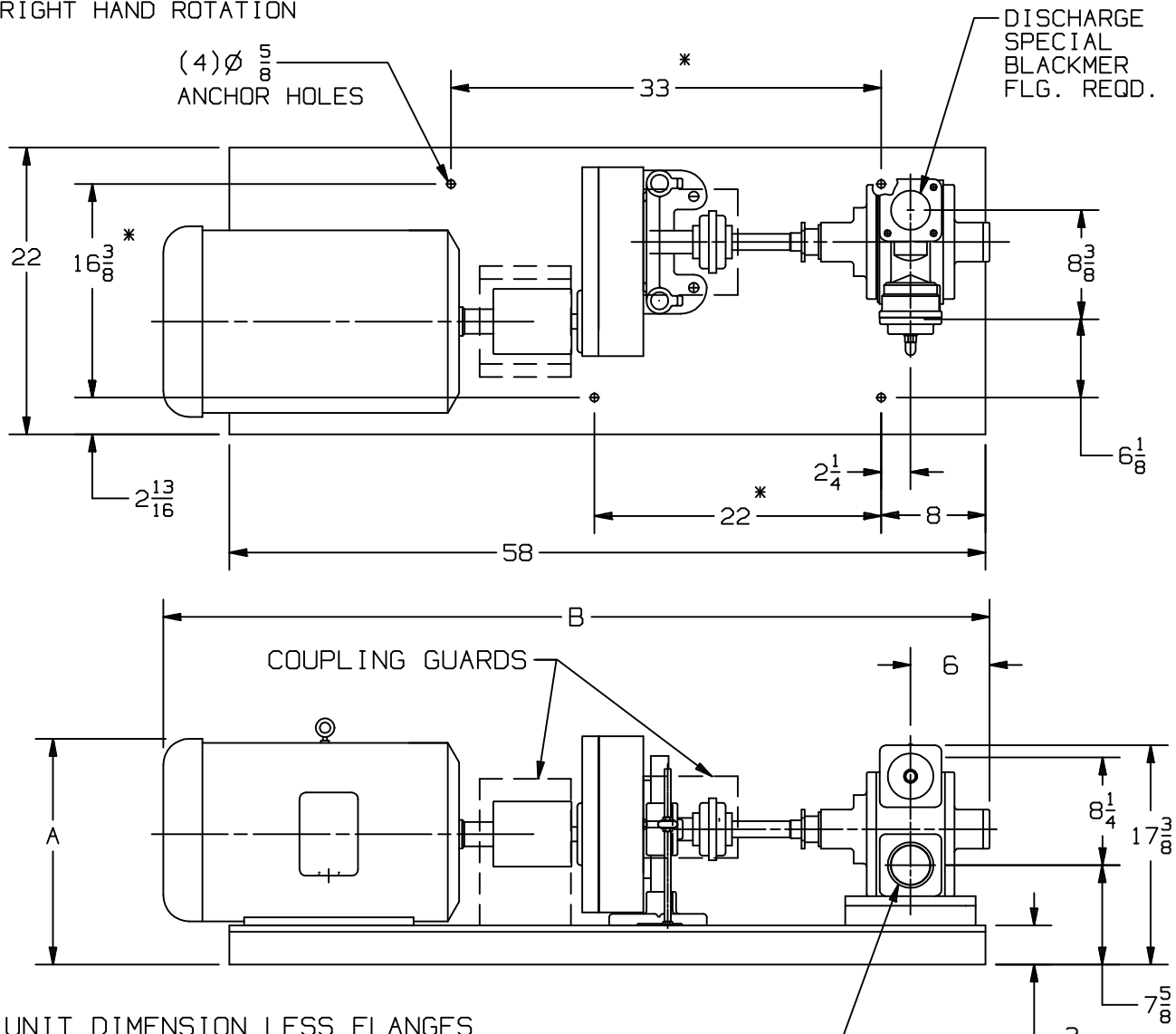
DIMENSIONS 104-109

Section 104
 Effective APRIL 2003
 Replaces FEBRUARY 2000
 Pg 6/7

TYPE	SIZE	UNIT STYLE
SNP	3	HRC



RIGHT HAND ROTATION



UNIT DIMENSION LESS FLANGES

* TOLERANCE $\pm \frac{1}{8}$

TOLERANCE ON OTHER DIMENSIONS $\pm \frac{1}{4}$

"A" DIMENSION LESS EYEBOLT

INTAKE SPECIAL BLACKMER FLG. REQD.

FLG. HT: WELD - 1 1/4

MOTOR			BASE NO.	DIMENSIONS						APPROX. UNIT WT - POUNDS		
FRAME SIZE				UNITS	A	B					LESS MOTOR	ENCL MOTOR
213T			901798	IN	14 7/8	59						
215T			901798	IN	14 7/8	59						
254T			901798	IN	16 3/8	59 3/4						
256T			901798	IN	16 3/8	61 1/2						
284T			901798	IN	18	63 3/8						
286T			901798	IN	18	64 7/8						

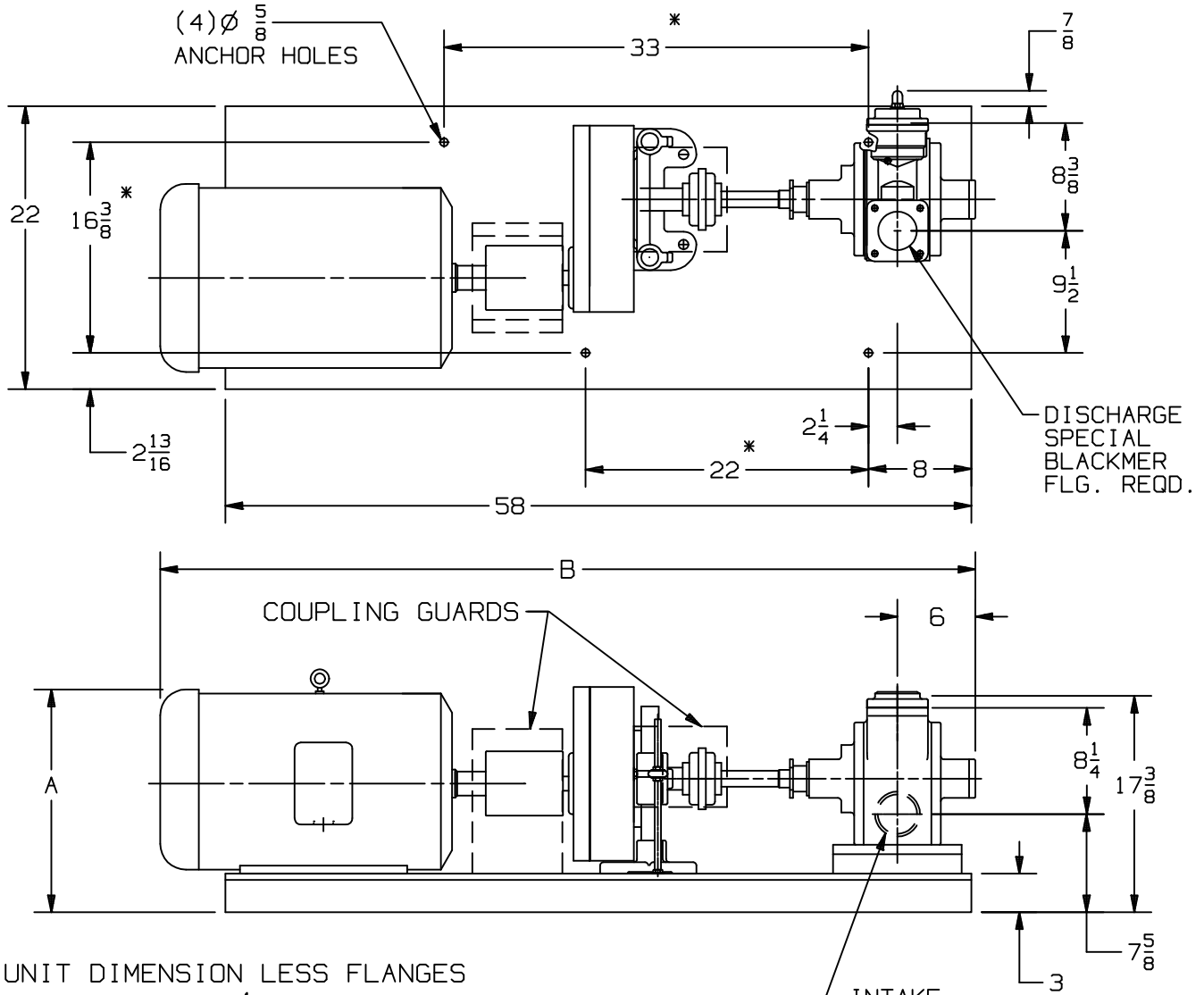
DIMENSIONS 104-109

Section 104
 Effective APRIL 2003
 Replaces FEBRUARY 2000
 Pg 7/7

TYPE	SIZE	UNIT STYLE
SNP	3	HRC



LEFT HAND ROTATION



UNIT DIMENSION LESS FLANGES

* TOLERANCE $\pm \frac{1}{8}$

TOLERANCE ON OTHER DIMENSIONS $\pm \frac{1}{4}$

"A" DIMENSION LESS EYEBOLT

FLG. HT: WELD - 1 1/4

MOTOR			BASE NO.	DIMENSIONS							APPROX. UNIT WT - POUNDS	
FRAME SIZE				UNITS	A	B					LESS MOTOR	ENCL MOTOR
213T			901798	IN	14 7/8	59						
215T			901798	IN	14 7/8	59						
254T			901798	IN	16 3/8	59 3/4						
256T			901798	IN	16 3/8	61 1/2						
284T			901798	IN	18	63 3/8						
286T			901798	IN	18	64 7/8						