



TYPE

SIZE

UNIT
STYLE

DIMENSIONS 104-143

SX

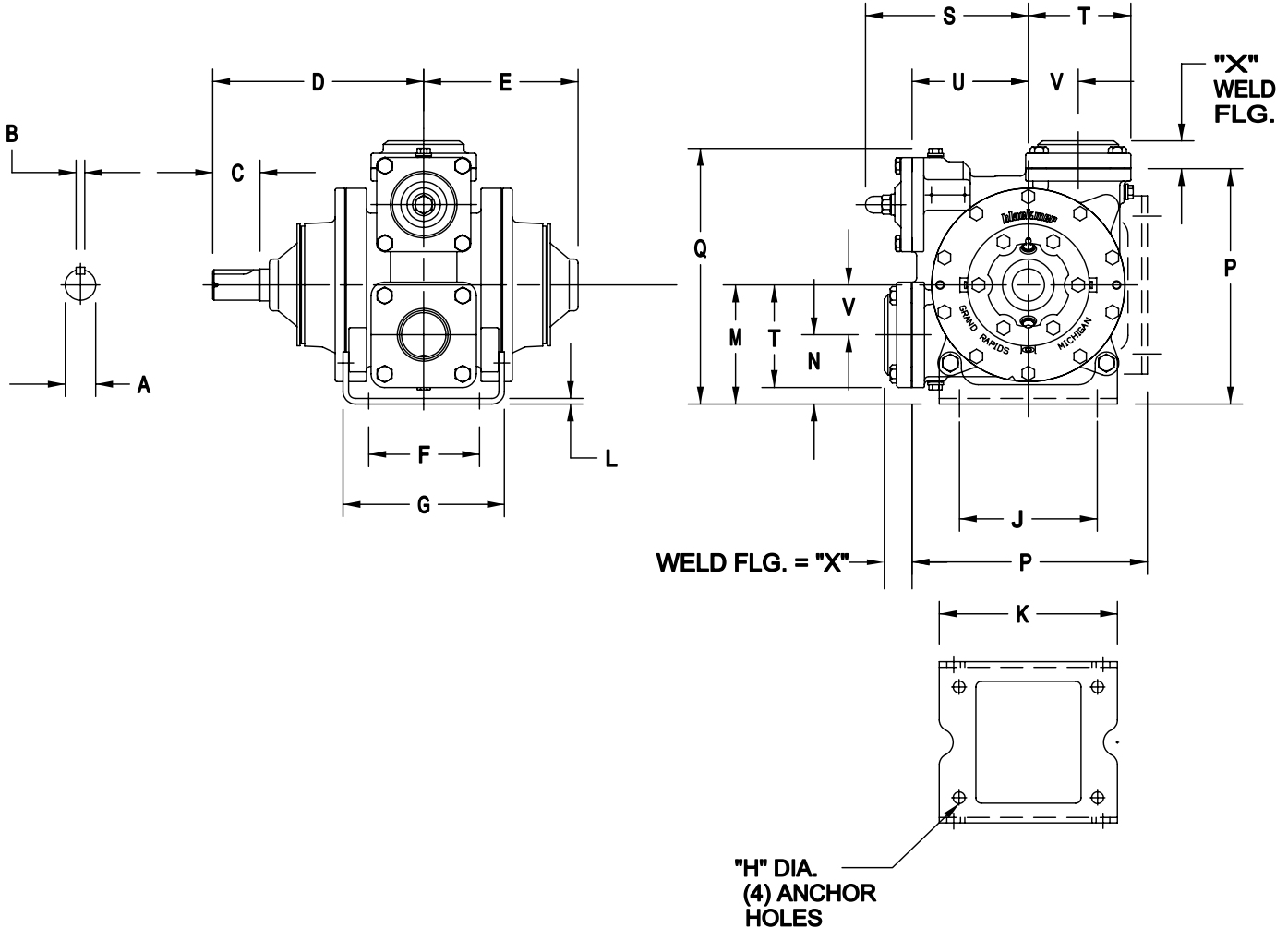
3A

PO

Section
Effective
Replaces
Page 1/3

104
October 2006
NEW

RIGHT HAND ROTATION. FOR LEFT HAND ROTATION SHAFT PROJECTION IS OPPOSITE THAT SHOWN.



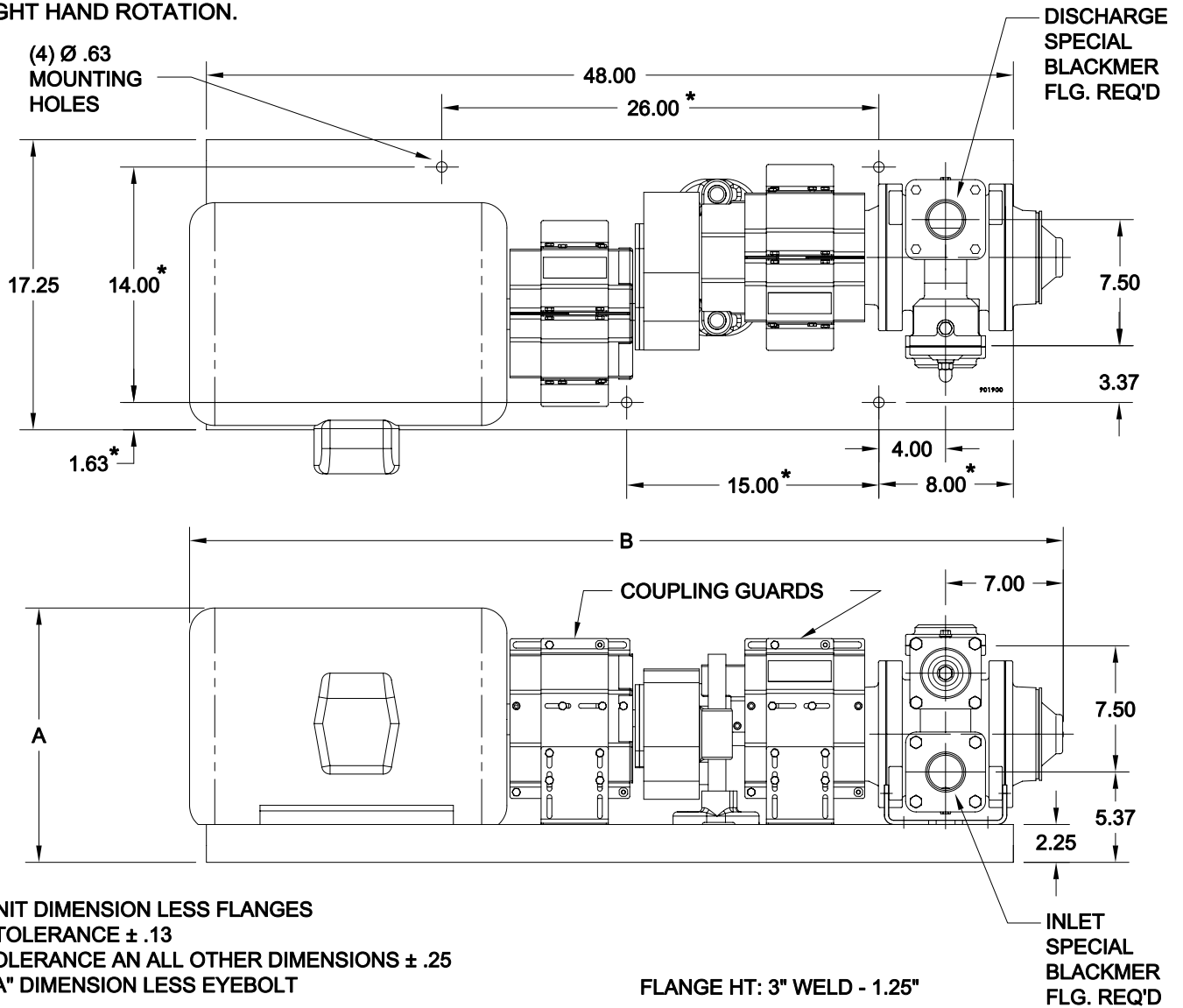
MOTOR			UNITS	DIMENSIONS									
FRAME SIZE				A	B	C	D	E	F	G	H	J	K
			IN	1.375	.393	2.14	9.53	7.00	5.00	7.28	Ø.53	6.25	8.04
			MM	35	10	54,4	241,9	177,8	127	184,9	13,5	158,8	204,2
				L	M	N	P	Q	R	S	T	U	V
			IN	.25	5.38	3.12	10.62	11.56	—	8.00	4.63	5.25	2.25
			MM	6,4	136,7	79,3	269,7	293,7	—	203,2	117,6	133,4	57,2
				W	X	Y	Z	AA	BB	CC	DD	EE	FF
			IN	—	1.25	1.25	.313	—	—	—	—	—	—
			MM	—	31,8	31,8	7,9	—	—	—	—	—	—
				WEIGHT									
			LBS	132									
			KG	60									



TYPE	SIZE	UNIT STYLE
SX	3A	HRA

DIMENSIONS 104-143
 Section Effective 104
 Replaces October 2006
 Page 2/3 NEW

RIGHT HAND ROTATION.



MOTOR		UNITS	DIMENSIONS								
FRAME SIZE	BASE		A	B							
182T	901900	IN	11.88	45							
184T	901900	IN	11.88	45							
213T	901900	IN	13.68	47.88							
215T	901900	IN	13.68	47.88							
254T	901900	IN	15.13	52							
256T	901900	IN	15.13	52							



TYPE

SIZE

UNIT
STYLE

DIMENSIONS 104-143

SX

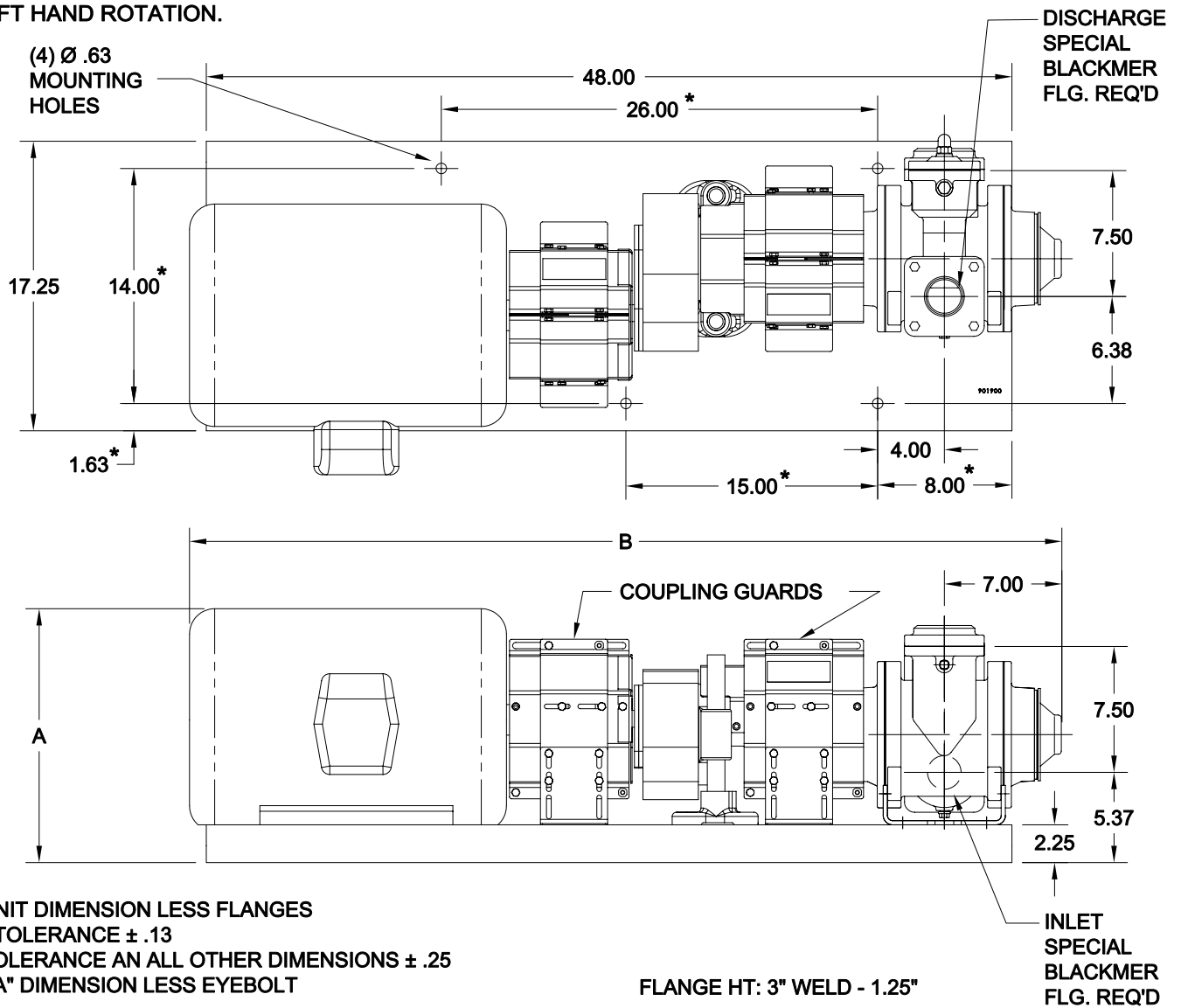
3A

HRA

Section
Effective
Replaces
Page 3/3

104
October 2006
NEW

LEFT HAND ROTATION.



MOTOR		UNITS	DIMENSIONS									
FRAME SIZE	BASE		A	B								
182T	901900	IN	11.88	45								
184T	901900	IN	11.88	45								
213T	901900	IN	13.68	47.88								
215T	901900	IN	13.68	47.88								
254T	901900	IN	15.13	52								
256T	901900	IN	15.13	52								