

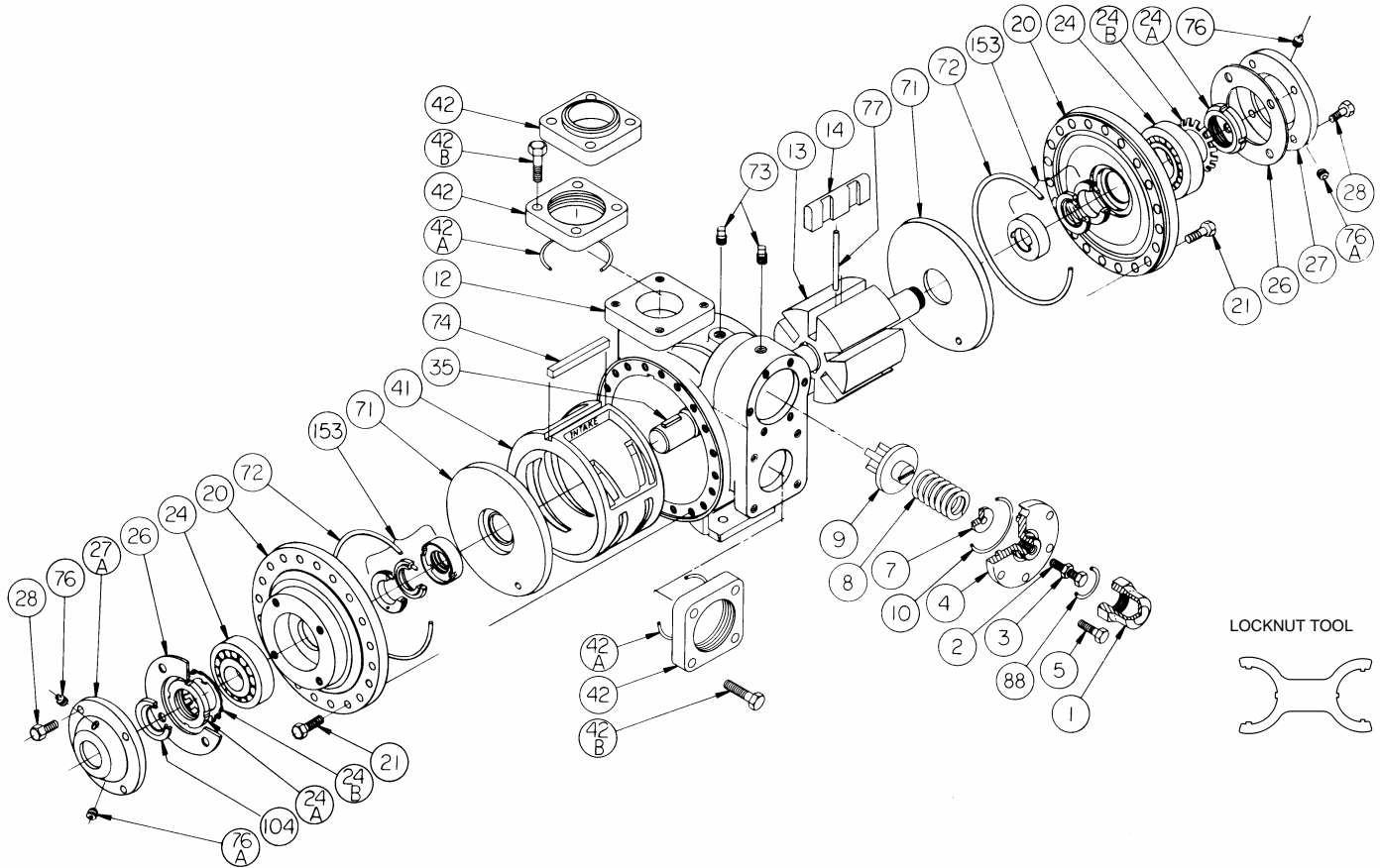
# BLACKMER PARTS LIST

## PUMP MODELS: XLW2F, XLW3F

### DISCONTINUED MODELS: XLW2E-N, XLW3E-N

See Instructions 105-B00 Installation, Operation and Maintenance

Section | 105  
Effective | Sept 2007  
Replaces | Mar 2005



| Ref. No. | Description   | Parts per Pump | Size 2 Part No.     | Size 3 Part No.     | Ref. No.              | Description               | Parts per Pump | Size 2 Part No.     | Size 3 Part No.     |
|----------|---|----------------|---------------------|---------------------|-----------------------|---------------------------|----------------|---------------------|---------------------|
| 1        | Cap – Relief Valve (R/V)                                | 1              | 414402              | 414402              | 26                    | Gasket – Bearing Cover    | 2              | <sup>1</sup> 383940 | <sup>1</sup> 385125 |
| 2        | Adjusting Screw – R/V                                   | 1              | 433905              | 435109              | 27                    | Bearing Cover – Outboard  | 1              | 041433              | 041817              |
| 3        | Locknut – Adjusting Screw                               | 1              | 922923              | 922923              | 27A                   | Bearing Cover – Inboard   | 1              | 041431              | 041815              |
| 4        | Cover – R/V   | 1              | 414408              | 415109              | 28                    | Capscrews – Bearing Cover | 8-12           | 920285              | 920285              |
| 5        | Capscrew – R/V Cover                                    | 6              | 920316              | 920331              | 35                    | Key – Shaft               | 1              | <sup>1</sup> 909130 | <sup>1</sup> 909130 |
| 7        | Spring Guide – R/V                                      | 1              | 424401              | 425109              | 41                    | Liner                     | 1              | <sup>2</sup> 183913 | <sup>2</sup> 185116 |
| 8        | Spring – R/V (51-75 psi) (Std.)                         | 1              | 471425              | 471612              | 42 <sup>4</sup>       | Flange – NPT              | 2              | 654401              | 655112              |
|          | Spring – R/V (76-110 psi)                               |                | 471428              | 471621              |                       | Flange – Weld             |                | 654405              | 655102              |
|          | Spring – R/V (111-150 psi)                              |                | 471430              | 475109              | 42A                   | O-Ring – Flange (FKM)     | 2              | <sup>1</sup> 702086 | <sup>1</sup> 711931 |
| 9        | Valve – R/V   | 1              | 454405              | 455109              | 42B                   | Capscrew – NPT Flange     | 8              | 920384              | 920547              |
| 10       | O-Ring – R/V Cover (FKM)                                | 1              | <sup>1</sup> 711929 | <sup>1</sup> 701924 | Capscrew – Weld, ANSI | 920351                    |                | 920510              |                     |
| 12       | Casing  | 1              | 014405              | 015127              | 71                    | Disc                      | 2              | <sup>2</sup> 063900 | <sup>2</sup> 065114 |
| 13       | EC Rotor & Shaft Assy. (-.045) (Std)                    | 1              | <sup>2</sup> 263927 | <sup>2</sup> 265143 | 72                    | O-Ring – Head (FKM)       | 2              | <sup>1</sup> 702045 | <sup>1</sup> 711938 |
|          | FS Rotor & Shaft Assy.<br>(Both Include Ref. 24A & 24B) |                | 263923              | 265204              | 73                    | Gage Plug                 | 2              | 908195              | 908195              |
| 14       | Vane – EC Hardened Iron (Std.)                          | 6              | <sup>1</sup> 093931 | <sup>1</sup> 095129 | 74                    | Key – Liner               | 1              | <sup>2</sup> 183991 | <sup>2</sup> 185191 |
|          | Vane – EC Laminate                                      |                | 091429              | 095107              | 76                    | Grease Fitting            | 2              | 317815              | 317815              |
| 20       | Head  | 2              | 034416              | 035128              | 76A                   | Grease Relief Fitting     | 2              | 701992              | 701992              |
| 21       | Capscrews – Head  | 32-40          | 920351              | 920369              | 77                    | Push Rod                  | 3              | <sup>1</sup> 123905 | <sup>1</sup> 125105 |
| 24       | Ball Bearing  | 2              | <sup>1</sup> 903156 | <sup>1</sup> 903172 | 88                    | O-Ring – R/V Cap (FKM)    | 1              | <sup>1</sup> 701979 | <sup>1</sup> 701979 |
| 24A      | Locknut – Bearing                                       | 2              | 903521              | 903523              | 104                   | Grease Seal               | 1              | <sup>1</sup> 331918 | <sup>1</sup> 331908 |
| 24B      | Lockwasher – Bearing                                    | 2              | <sup>1</sup> 903522 | <sup>1</sup> 903524 |                       | Tool - Locknut            |                | 903091              | 903091              |
|          |   |                |                     |                     |                       | Kit - Maintenance         |                | 898974              | 898975              |
|          |   |                |                     |                     |                       | Kit - Rebuild             |                | 899074              | 899075              |

<sup>1</sup> Included in Maintenance Kit and Rebuild Kit

<sup>2</sup> Included in Rebuild Kit

<sup>4</sup> See more flanges on backside.

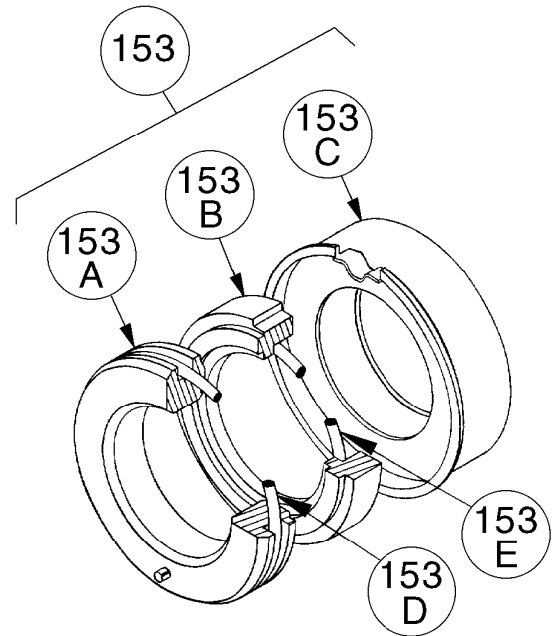
Keep this parts list with Installation, Operation and Maintenance Instructions.

EC = Extra Clearance

FS = Full Size

**MECHANICAL SEALS**

| Ref. No. | Part Name  | Parts Per Pump | Size 2 Part No.     | Size 3 Part No.     |
|----------|--|----------------|---------------------|---------------------|
| 153      | Mechanical Seal Complete – (Std.) Silicon Carbide Stationary Seat, Hardened Steel Seal Face, FKM O-Rings. (LVSV) | 2              | <sup>1</sup> 333919 | <sup>1</sup> 335147 |
|          | Mechanical Seal Complete – Silicon Carbide Stationary Seat, Hardened Steel Seal Face, PTFE O-Rings. (LAST)       |                | 333922              | 335150              |
|          | Mechanical Seal Complete – Silicon Carbide Stationary Seat, Silicon Carbide Seal Face, FKM O-Rings. (LVLV)       |                | 333921              | 335149              |
| 153A #   | Stationary Seat (Silicon Carbide)  | 2              | 334422              | 335141              |
| 153B #   | Rotating Seal Face (Hardened Steel)  | 2              | 333917              | 335144              |
|          | Rotating Seal Face (Silicon Carbide)   |                | 333916              | 335198              |
| 153C #   | Jacket Assembly  | 2              | 331651              | 335128              |
| 153D     | O-Ring – Stationary (FKM)  | 2              | 701970              | 702015              |
|          | O-Ring – Stationary (PTFE)   |                | 702084              | 711999              |
| 153E     | O-Ring – Rotating (FKM)  | 2              | 701980              | 701962              |
|          | Seal Ring – Rotating (PTFE)  |                | 711963              | 701963              |

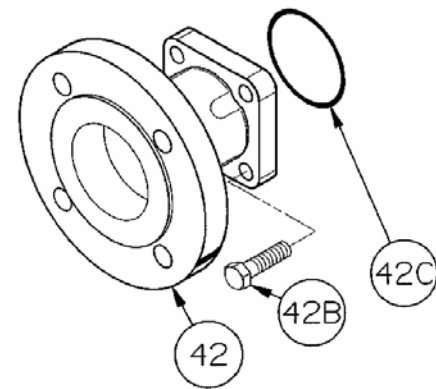


<sup>1</sup> Included in Maintenance Kit and Rebuild Kit

# These components are included in the complete mechanical seal assemblies (Ref. No. 153), and are NOT available as replacement parts. Consult factory.

**FLANGE OPTIONS**

| Ref. No. | Part Name                     | Parts Per Pump | Size 2 Part No. | Size 3 Part No. |
|----------|-------------------------------|----------------|-----------------|-----------------|
| 42       | Flange – ANSI 2" 150 lb. R.F. | 1-2            | 651417          | ---             |
|          | Flange – ANSI 3" 150 lb. R.F. |                | ---             | 651817          |



ANSI FLANGE

