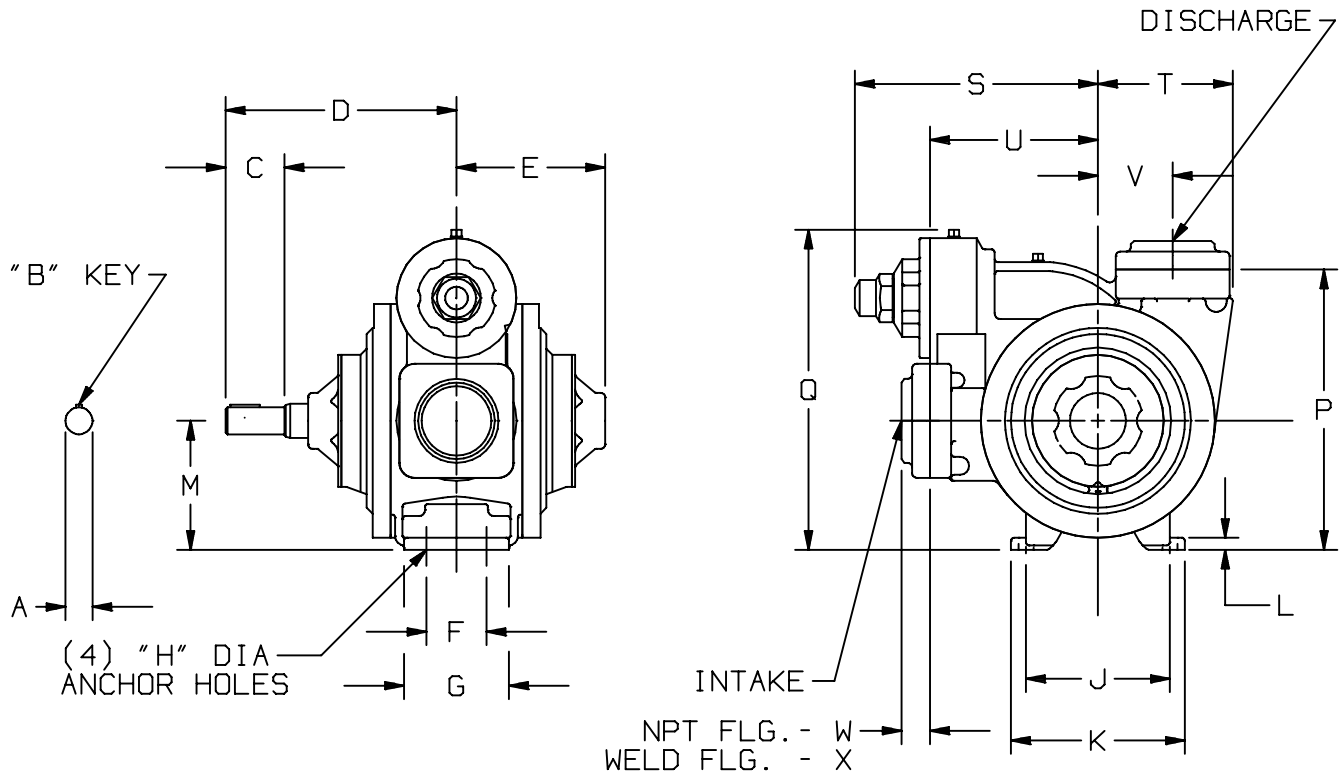




TYPE	SIZE	UNIT STYLE
XLW	3	PO


DIMENSIONS 105-105	
Section	105
Effective	September 1989
Replaces	June 1987

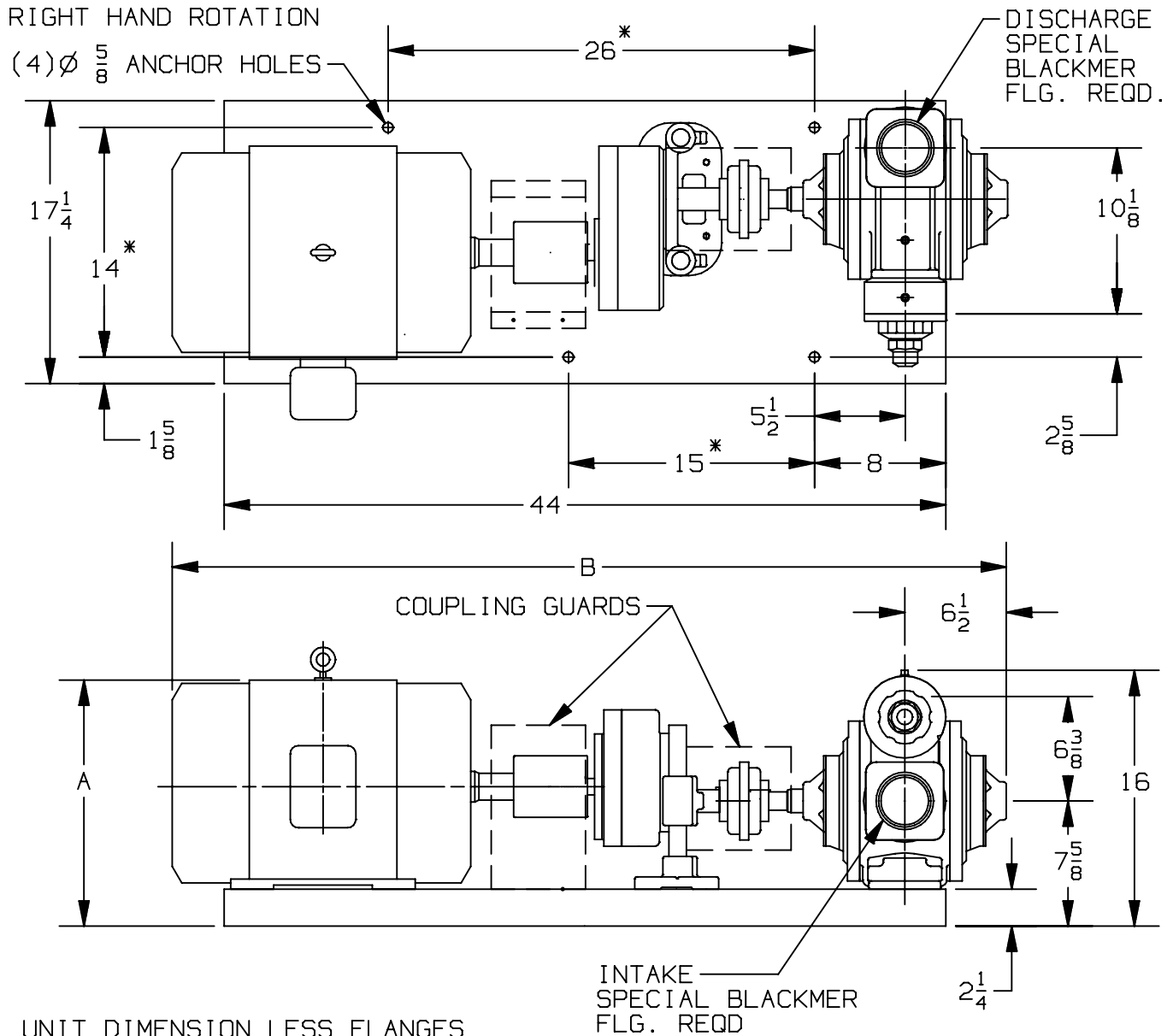
RIGHT HAND PUMP SHOWN. SHAFT PROJECTION IS OPPOSITE FOR LEFT HAND PUMP



OPTIONAL PIPE CONNECTIONS:
 3" NPT FLANGE, NODULAR
 3" WELD FLANGE, STEEL

MOTOR			UNITS	DIMENSIONS									
FRAME SIZE				A	B	C	D	E	F	G	H	J	K
			IN	1 1/8	1/4	2 7/16	9 5/8	6 5/16	2 1/2	4 3/8	5/8	6	7 1/4
			MM	28,6	6,4	61,9	244,5	160,3	63,5	111,1	15,9	152,4	184,2
				L	M	N	P	Q	R	S	T	U	V
			IN	1/2	5 3/8	—	11 1/16	13 3/8	—	10 1/4	5 5/8	7	3 1/8
			MM	12,7	136,5	—	269,9	339,7	—	260,4	142,9	177,8	79,4
				W	X	Y	Z	AA	BB	CC	DD	EE	FF
			IN	1 1/2	1 3/16	—	—	—	—	—	—	—	—
			MM	38,1	30,2	—	—	—	—	—	—	—	—
				WEIGHT									
			LBS	160									
			KG	72,6									

DIMENSIONS 105-105 p2/5		TYPE	SIZE	UNIT STYLE	
Section	105	XLW	3	HRA	
Effective	March 2000				
Replaces	November 1981				



UNIT DIMENSION LESS FLANGES

* TOLERANCE $\pm \frac{1}{8}$

TOLERANCE ON OTHER DIMENSIONS $\pm \frac{1}{4}$

"A" DIMENSION LESS EYEBOLT

FLG. HT: 3" NPT - 1 1/2
 3" WELD- 1 1/4

MOTOR			DIMENSIONS			
FRAME SIZE		BASE NO.	UNITS	A	B	
182T		901774	IN	11 $\frac{7}{8}$	48 $\frac{3}{4}$	
184T		901774	IN	11 $\frac{7}{8}$	48 $\frac{3}{4}$	
213T		901774	IN	13 $\frac{3}{8}$	48 $\frac{3}{4}$	
215T		901774	IN	13 $\frac{3}{8}$	49 $\frac{3}{8}$	
254T		901774	IN	15 $\frac{5}{8}$	53 $\frac{1}{4}$	
256T		901774	IN	15 $\frac{5}{8}$	55	

DIMENSIONS 105-105 p3/5

Section 105
 Effective March 2000
 Replaces November 1981

TYPE

SIZE

UNIT
 STYLE

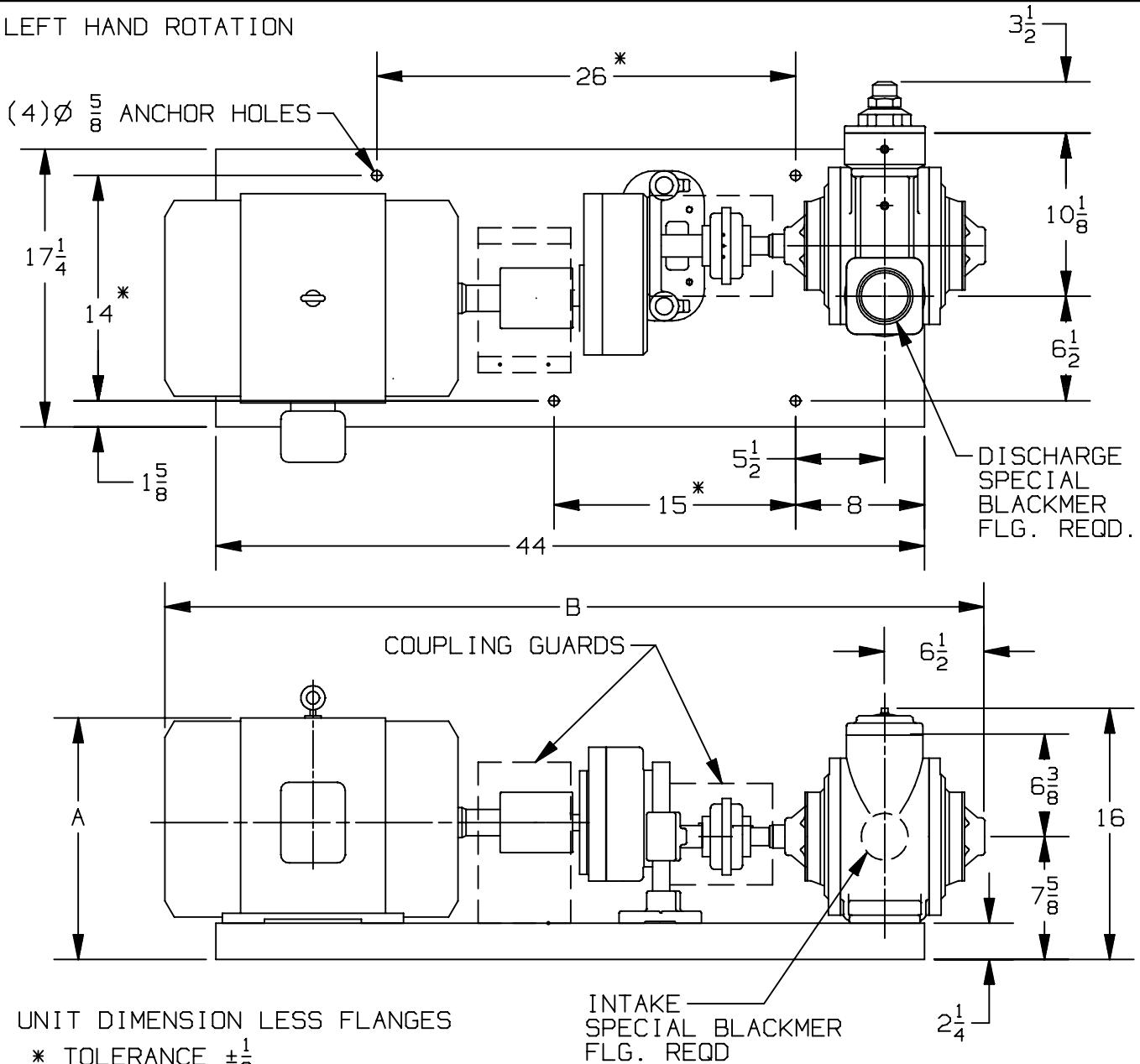
XLW

3

HRA



LEFT HAND ROTATION



UNIT DIMENSION LESS FLANGES

* TOLERANCE $\pm \frac{1}{8}$

TOLERANCE ON OTHER DIMENSIONS $\pm \frac{1}{4}$

"A" DIMENSION LESS EYEBOLT

FLG. HT: 3" NPT - 1 1/2
 3" WELD- 1 1/4

MOTOR			BASE NO.	DIMENSIONS		
FRAME SIZE		UNITS		A	B	
182T		901774	IN	11 $\frac{7}{8}$	48 $\frac{3}{4}$	
184T		901774	IN	11 $\frac{7}{8}$	48 $\frac{3}{4}$	
213T		901774	IN	13 $\frac{3}{8}$	48 $\frac{3}{4}$	
215T		901774	IN	13 $\frac{3}{8}$	49 $\frac{3}{8}$	
254T		901774	IN	15 $\frac{5}{8}$	53 $\frac{1}{4}$	
256T		901774	IN	15 $\frac{5}{8}$	55	

DIMENSIONS 105-105

Section 105
 Effective March 2006
 Replaces March 2000
 Page 4/5

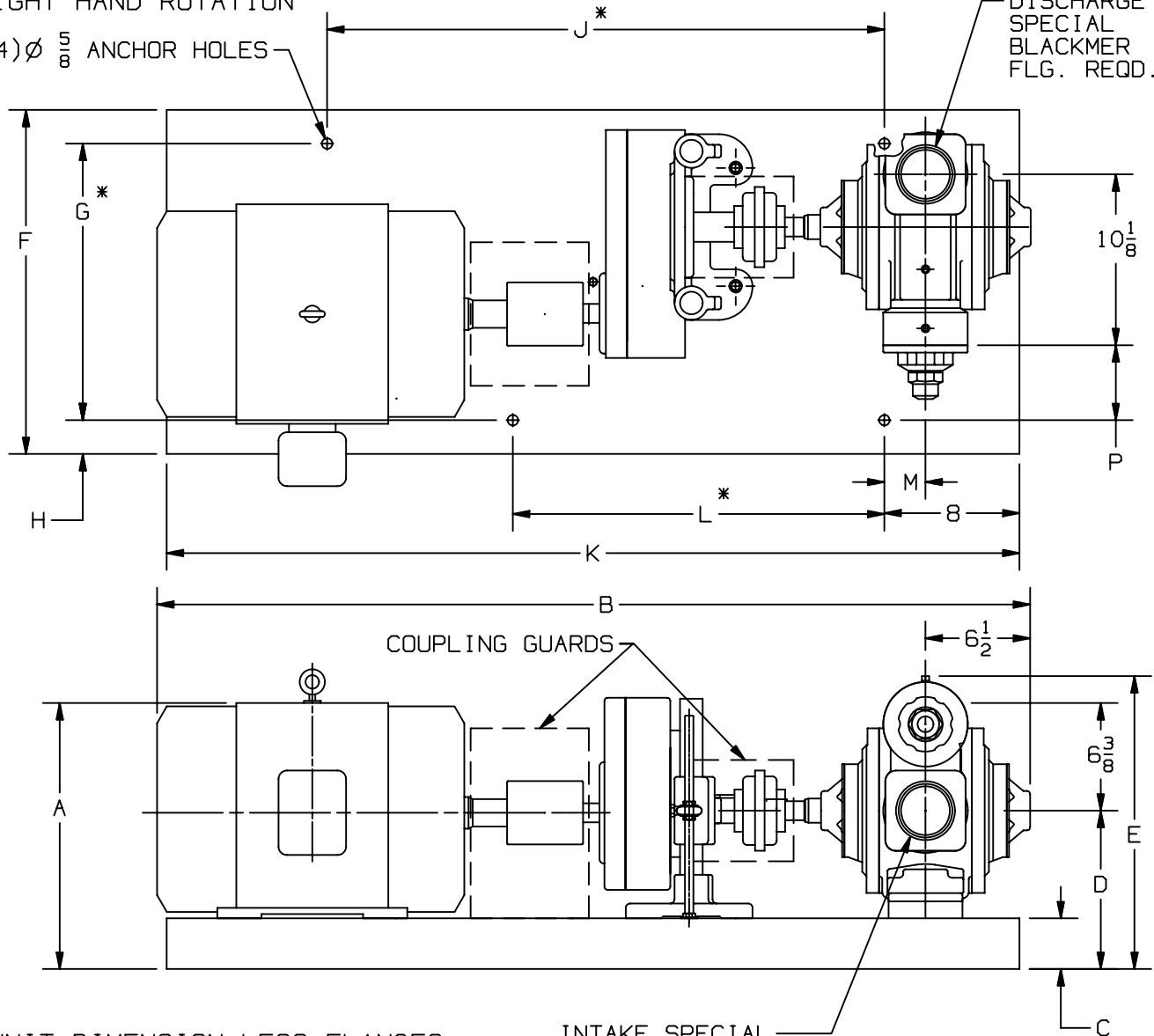
TYPE XLW
 SIZE 3
 UNIT STYLE HRB



RIGHT HAND ROTATION

(4) $\phi \frac{5}{8}$ ANCHOR HOLES

DISCHARGE SPECIAL BLACKMER FLG. REQD.



UNIT DIMENSION LESS FLANGES

* TOLERANCE $\pm \frac{1}{8}$

TOLERANCE ON OTHER DIMENSIONS $\pm \frac{1}{4}$

"A" DIMENSION LESS EYEBOLT

INTAKE SPECIAL BLACKMER FLG. REQD.

FLG. HT: 3" NPT - 1 1/2
 3" WELD- 1 1/4

MOTOR			DIMENSIONS														
FRAME SIZE		BASE NO.	UNITS	A	B	C	D	E	F	G	H	J	K	L	M	P	
182T		901772	IN	12 ⁷ / ₈	46 ¹ / ₈	2 1/4	8 5/8	17	17 1/4	14	1 5/8	26	44	15	2 3/8	2 5/8	
184T		901772	IN	12 ⁷ / ₈	47 1/2	2 1/4	8 5/8	17	17 1/4	14	1 5/8	26	44	15	2 3/8	2 5/8	
213T		901772	IN	13 5/8	49 1/2	2 1/4	8 5/8	17	17 1/4	14	1 5/8	26	44	15	2 3/8	2 5/8	
215T		901772	IN	13 5/8	50 1/4	2 1/4	8 5/8	17	17 1/4	14	1 5/8	26	44	15	2 3/8	2 5/8	
254T		901773	IN	16 3/8	54	3	9 3/8	17 3/4	20 3/8	16 3/8	2	33	50 1/2	22	2 1/2	4 1/2	
256T		901773	IN	16 3/8	55 3/4	3	9 3/8	17 3/4	20 3/8	16 3/8	2	33	50 1/2	22	2 1/2	4 1/2	

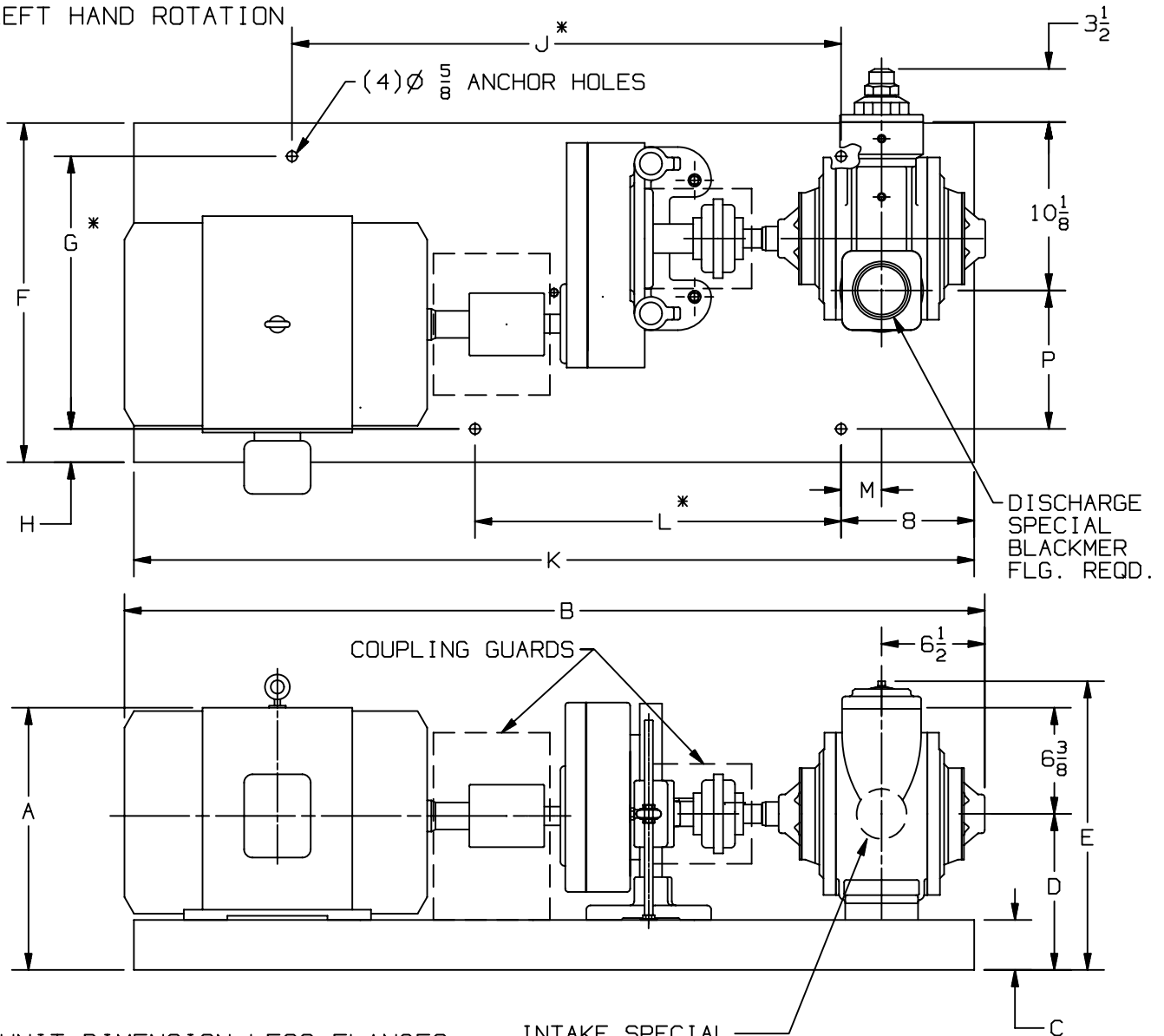
DIMENSIONS 105-105

Section 105
 Effective March 2006
 Replaces March 2000
 Page 5/5

TYPE XLW
 SIZE 3
 UNIT STYLE HRB



LEFT HAND ROTATION



UNIT DIMENSION LESS FLANGES

INTAKE SPECIAL BLACKMER FLG. REQD.

* TOLERANCE $\pm \frac{1}{8}$

TOLERANCE ON OTHER DIMENSIONS $\pm \frac{1}{4}$

"A" DIMENSION LESS EYEBOLT

FLG. HT: 3" NPT - 1 1/2
 3" WELD- 1 1/4

MOTOR			BASE NO.	DIMENSIONS													
FRAME SIZE				UNITS	A	B	C	D	E	F	G	H	J	K	L	M	P
182T			901772	IN	127/8	461/8	2 1/4	8 5/8	17	17 1/4	14	1 5/8	26	44	15	2 3/8	6 1/2
184T			901772	IN	127/8	47 1/2	2 1/4	8 5/8	17	17 1/4	14	1 5/8	26	44	15	2 3/8	6 1/2
213T			901772	IN	13 5/8	49 1/2	2 1/4	8 5/8	17	17 1/4	14	1 5/8	26	44	15	2 3/8	6 1/2
215T			901772	IN	13 5/8	50 1/4	2 1/4	8 5/8	17	17 1/4	14	1 5/8	26	44	15	2 3/8	6 1/2
254T			901773	IN	16 3/8	54	3	9 3/8	17 3/4	20 3/8	16 3/8	2	33	50 1/2	22	2 1/2	8 3/8
256T			901773	IN	16 3/8	55 3/4	3	9 3/8	17 3/4	20 3/8	16 3/8	2	33	50 1/2	22	2 1/2	8 3/8