

BLACKMER PARTS LIST

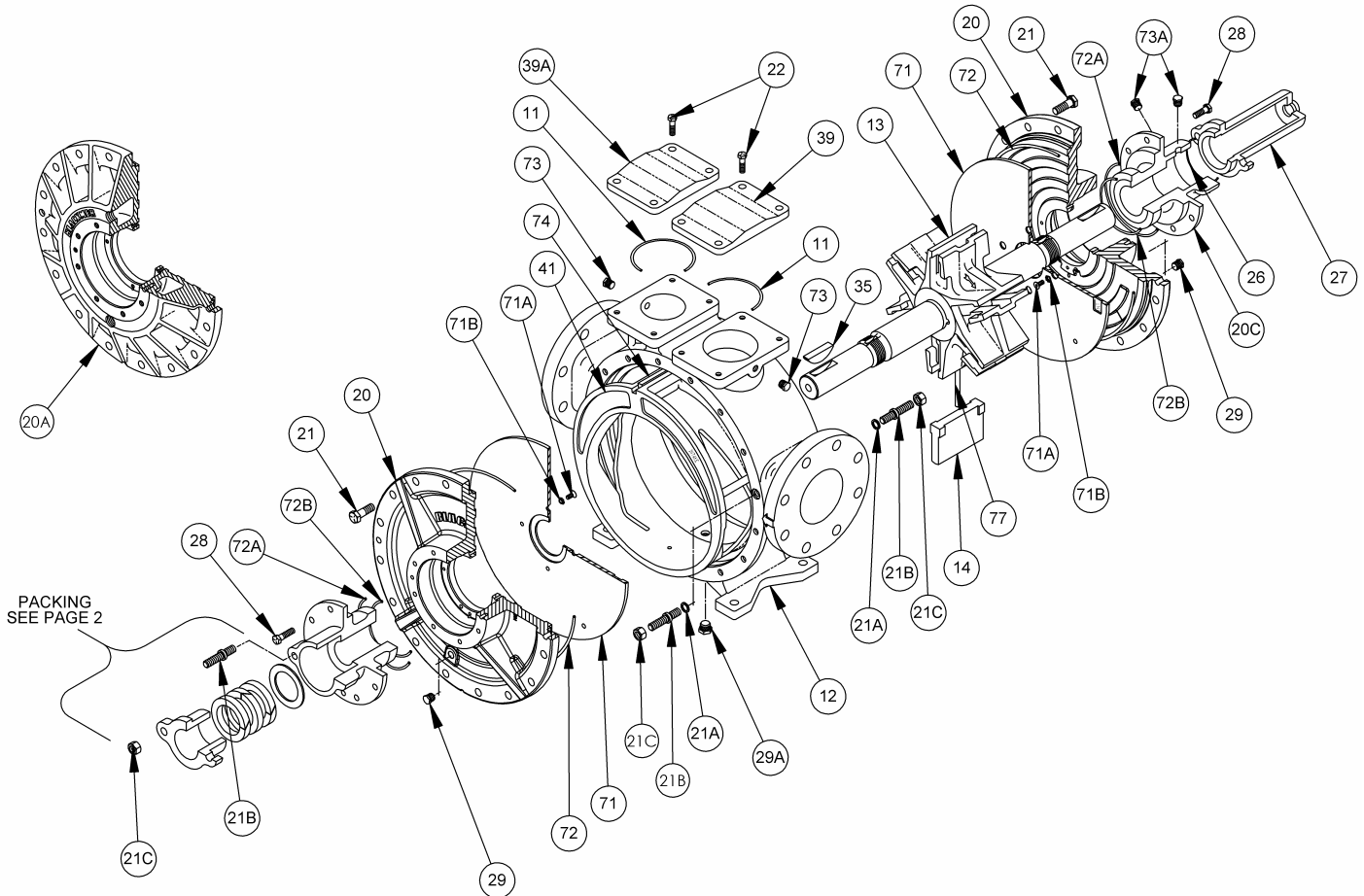
PUMP MODELS: MLN4B, MRLN4B

966912
Page 1 of 4

PARTS LIST
106-A02

See Instructions 106-A00 for Installation, Operation and Maintenance

Section	106
Effective	Sept 2007
Replaces	Oct 2005



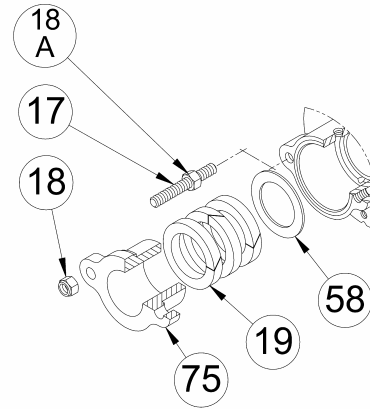
Ref. No.	Part Name	Parts Per Pump	Part No.	Ref. No.	Part Name	Parts Per Pump	Part No.	
11	O-Ring – Blanking Plate/Valve (FKM)	2	² 701991	29A	Drain Plug – Casing	1	908207	
	O-Ring – Blanking Plate/Valve (PTFE)			702066				
12	Casing – Flat Face Flanges	1	016900	35	Key – Shaft	1	² 909136	
13	Rotor & Shaft (Std.)	1	³ 266905	39	Blanking Plate (Inlet)	1	496900	
14	Vane – Maxvane (Std.)	6	² 096200	39A	Blanking Plate (Discharge)	1	³ 186915	
	Vane – EC Laminate			41	Liner (Std. – MLN4B)			186916
	Vane – EC Bronze				Liner - Hardened			186917
	Vane – EC Hardened Ductile Iron				Liner - Low Displacement (Std. – MRLN4B)			186918
20	Head (Std.)	2	036939	71	Disc (Std.)	2	066902	
20A	Jacketed Head	2	036919		Disc, Hardened		066903	
20C	Hub & Bushing Assembly (Carbon)	2	036950	71A	Machine Screw – Disc	8	920007	
	Hub & Bushing Assembly (Bronze)			036953	71B			Lockwasher – Disc
21	Capscrews – Head	28	920510	72	O-Ring – Head (FKM) (Std)	2	² 702058	
21A	Gasket – Head Stud	4	701981		O-Ring – Head (PTFE)		702069	
21B	Stud – Head	4	921569	72A	O-Ring (Large) – Hub (FKM) (Std)	2	² 702059	
21C	Nut – Head Stud	4	922850				O-Ring (Large) – Hub (PTFE)	702068
21D	Capscrews – Hub	16	920331	72B	O-Ring (Small) – Hub (FKM) (Std)	2	² 702060	
22	Capscrews – Blanking Plate/Valve	8	920457				O-Ring (Small) – Hub (PTFE)	702065
24	Sleeve Bearing (Carbon) (Std)	2	³ 166900	73	Gage Plug	2	908198	
	Sleeve Bearing (Bronze)		166901	73A	Plug – Hub	4	908198	
26	O-Ring – Shaft Cover (FKM) (Std)	1	² 711930	74	Key – Liner	1	³ 186902	
	O-Ring – Shaft Cover (PTFE)		702064	77	Push Rod (MLN4B)	3	² 126901	
27	Shaft Cover (Outboard)	1	046902		Push Rod (Low Displacement) (MRLN4B)		126902	
28	Capscrews – Shaft Cover	2	920491	—	Kit — Maintenance - MLN4B only	—	899218	
29	Drain Plug – Head	2	908198	—	Kit — Rebuild - MLN4B only	—	899118	

² Included in Maintenance and Rebuild Kits. ³ Included in Rebuild Kit. EC = Extra Clearance
Note: When ordering parts, include the pump Serial Number, I.D. Number, and Model Designation.

STANDARD PACKING

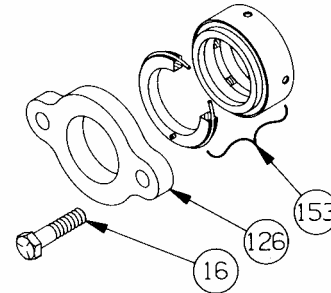
REF. NO.	PART NAME	PARTS PER PUMP	PART NO.
17	Packing Follower Stud	2	921580
18	Locknut – Stud	2	922420
18A	Removal Nut – Packing Follower	2	922850
19	Packing Set (Std.)	1	² 326900
58	Packing Washer	1	356905
75	Packing Follower	1	146905

² Included in Maintenance and Rebuild Kits



COMMERCIAL MECHANICAL SEAL – OPTIONAL

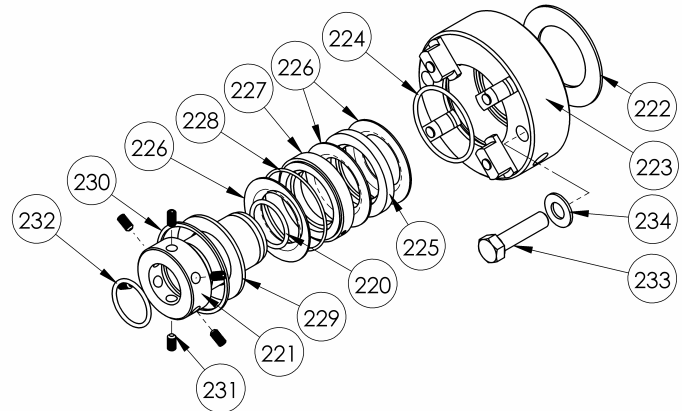
REF. NO.	PART NAME	PARTS PER PUMP	PART NO.
153	Single Mechanical Seal Asy. Crane Type 9 (59U)	1	337022
126	Seal Follower	1	146902
16	Capscrews – Seal Follower	2	920495



TRIPLE-LIP CARTRIDGE SEAL - OPTIONAL

Ref. No.	Part Name	Seal	Seal Rebuild Kit
—	TRIPLE-LIP CARTRIDGE SEAL	337003	899106
220	Shaft Sleeve O-Ring	1	X
221	Shaft Sleeve	1	
222	Gasket	1	X
223	Gland Plate Assembly	1	
224	Element O-Ring	1	X
225	Seal Spacer	1	X
226	Seal Element	3	X
227	Flushing Spacer	1	X
228	Flushing Spacer O-Ring	1	X
229	Retaining Ring	1	
230	Snap Ring	1	X
231	Shaft Sleeve Setscrews	6	X
232	Stepped Shaft Sleeve O-Ring	1	X
233	Gland Capscrew	2	
234	Flat Washer	2	

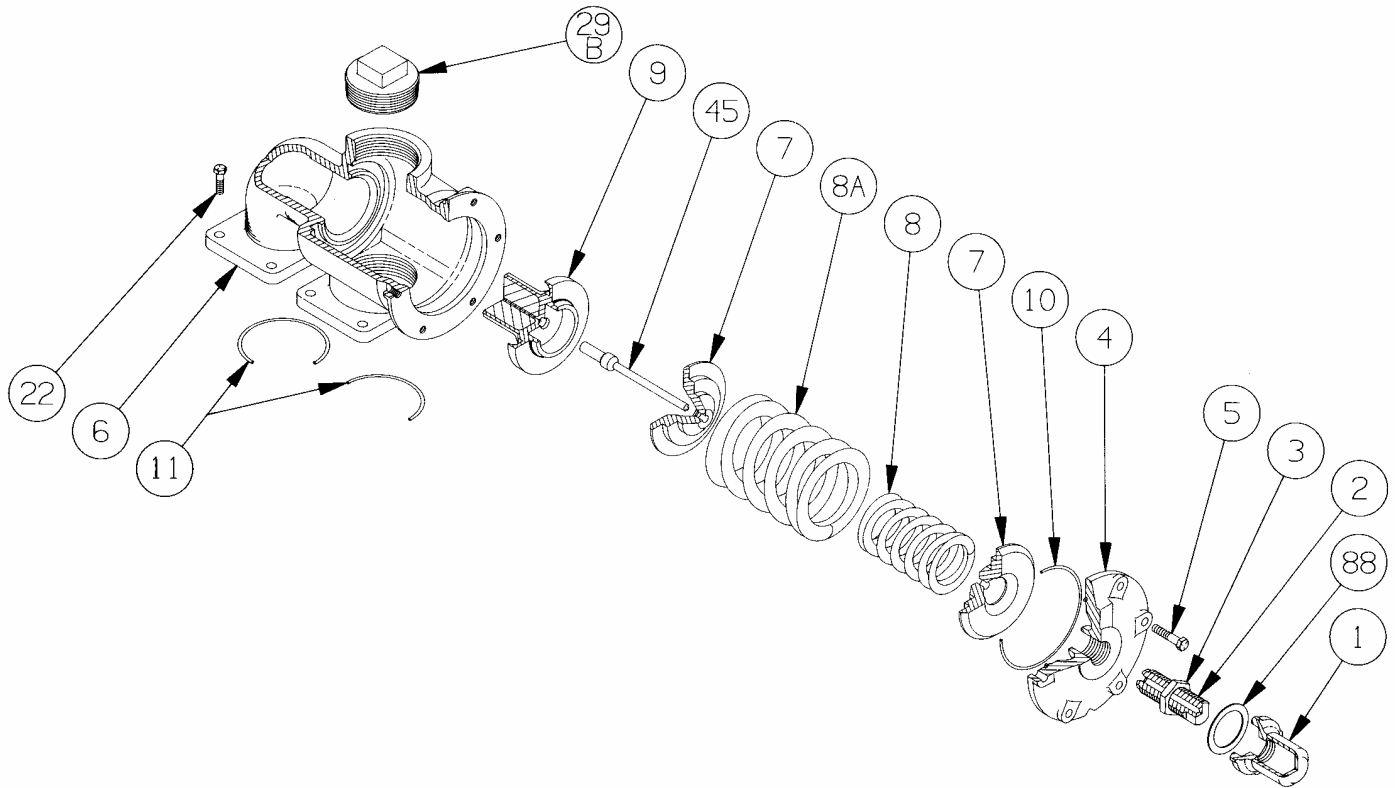
X = Parts included in Seal Rebuild Kit



INTERCHANGEABILITY WITH OBSOLETE MLN4

MLN4B	INTERCHANGEABILITY WITH MLN4
Rotor & Shaft	Interchangeable but requires new vanes.
Liner	Interchangeable but requires new push rods.
Vanes	Interchangeable
Push Rods	Interchangeable but requires new liner (consult factory).
Heads	Interchangeable
Discs	Interchangeable

OPTIONAL RELIEF VALVE



Ref. No.	Part Name	Parts Per Pump	Part No.	Ref. No.	Part Name	Parts Per Pump	Part No.
1	Cap – Relief Valve (R/V)	1	417710	9	Valve – R/V	1	456315
2	Adjusting Screw – R/V	1	437205	10	O-Ring – R/V Cover (FKM)	1	702059
3	Jam Nut – R/V	1	436655		O-Ring – R/V Cover (PTFE)		702068
4	Cover – R/V	1	416900	11	O-Ring – Blanking Plate/Valve (FKM)	2	701991
5	Capscrew – R/V Cover	6	920351		O-Ring – Blanking Plate/Valve (PTFE)		702066
6	Body – R/V	1	406900	22	Capscrews – Plate/Valve	8	920457
7	Spring Guide – R/V	2	426900	29B	Bypass Plug (3" NPT)	1	908226
8	Spring – R/V (45 – 75psi)	1	476900	45	Spring Guide Rod	1	426901
8A	Spring – R/V (76 – 125psi)	1	476904	88	Gasket – R/V Cap	1	536652
8	Springs – R/V (126 – 200psi)	1	476900				
8A	Use springs nested together	1	476904				

NOTES



KI Pumps & Systems, Inc., 206 Enterprise Road, P.O. Box 180287, Delafield, WI 53018-1768
TEL (888) 547 8678 FAX (262) 547 8678 info@kipumps.com www.blackmerpumps.com