



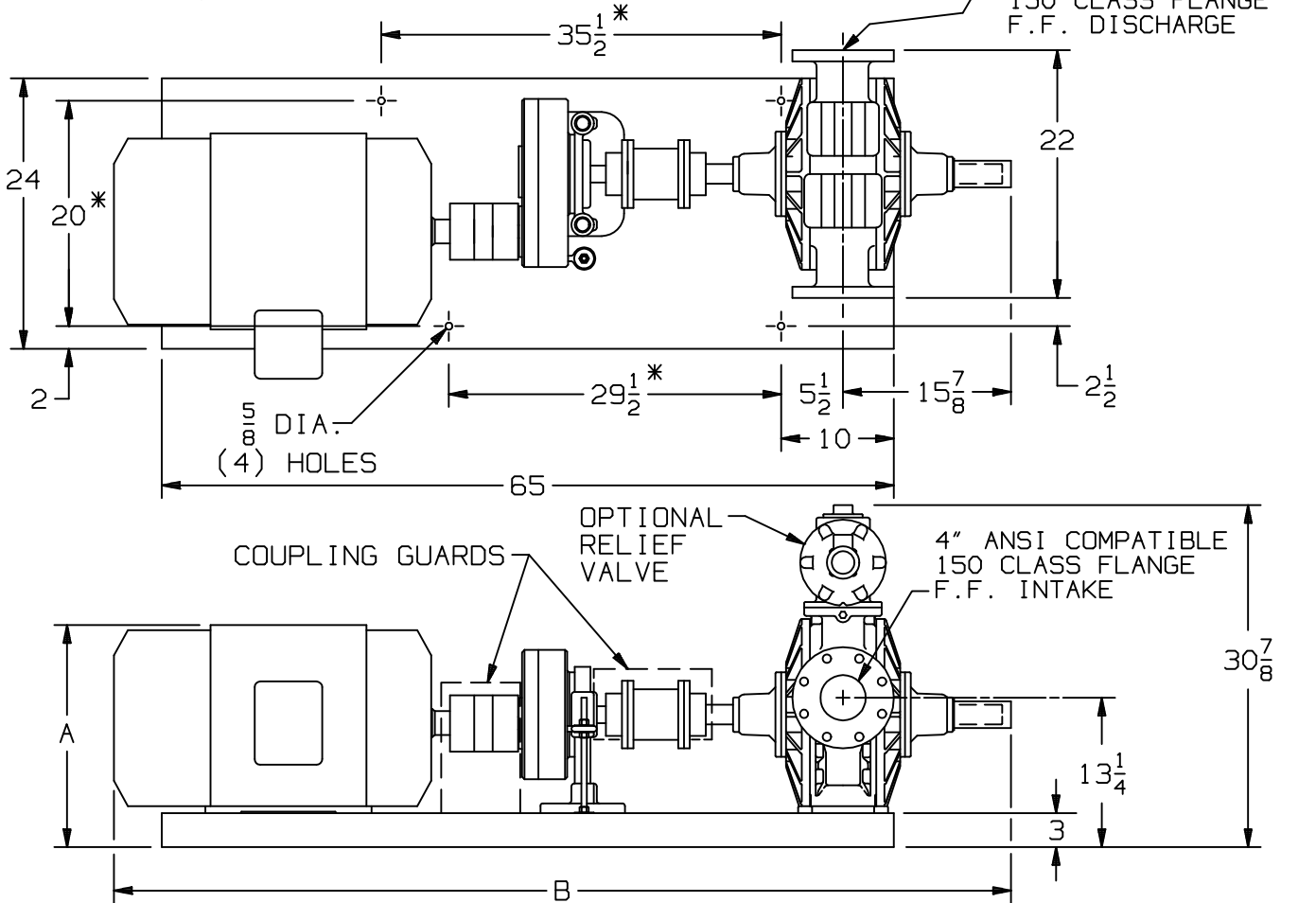
TYPE
MLX, MRLX, MRLXW
MLN, MRLN

SIZE
4B

UNIT
STYLE
HRB


DIMENSIONS 106-107
Section 106
Effective August 2005
Replaces November 1988

RIGHT HAND ROTATION ,FOR LEFT HAND ROTATION ,INTAKE,
DISCHARGE ,AND RELIEF VALVE ARE OPPOSITE THAT SHOWN

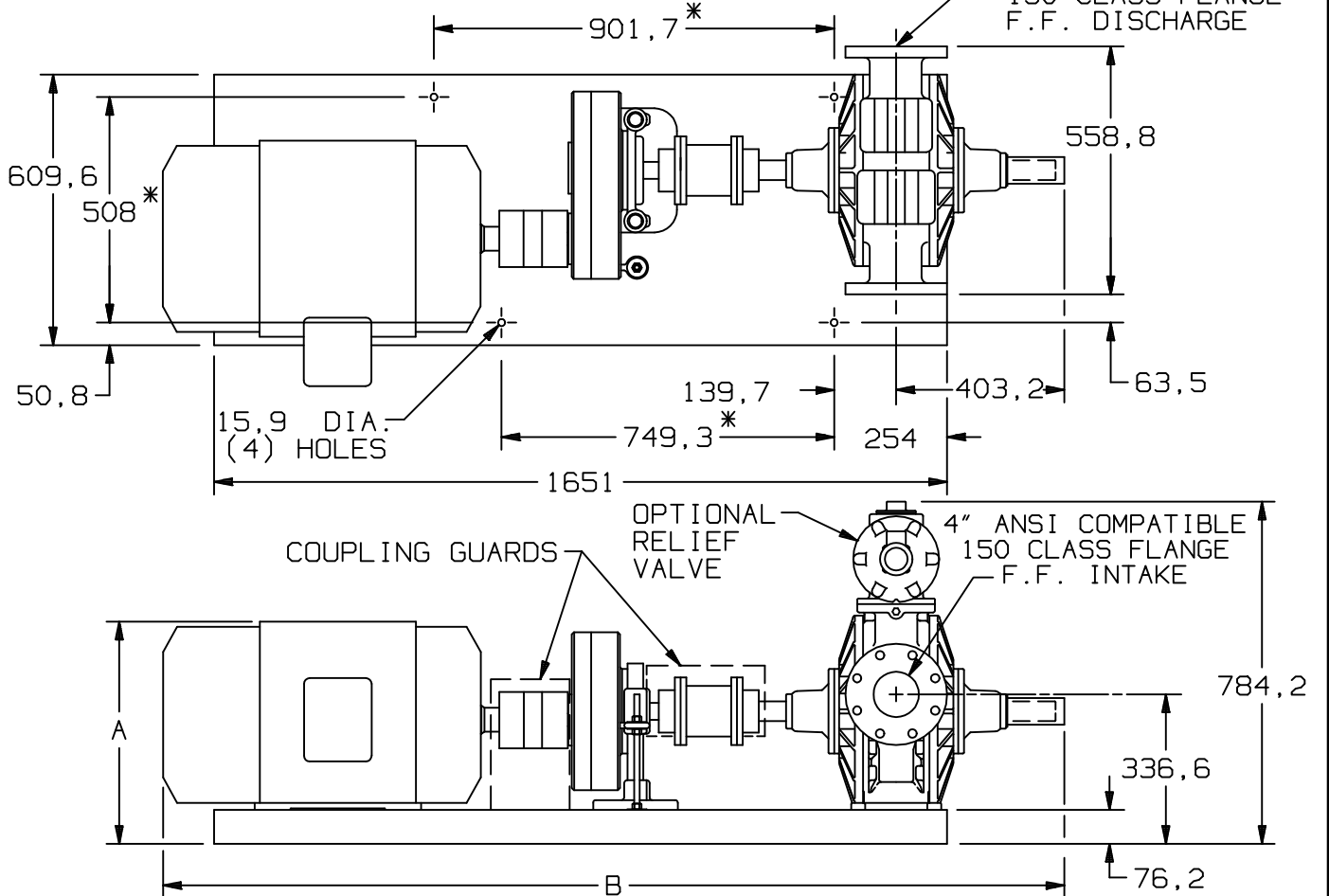


DIMENSIONS ARE IN INCHES "A" DIMENSION LESS EYEBOLT
* TOLERANCE ±1/8 , TOLERANCE ON OTHER DIMENSIONS ±1/4

MOTOR		BASE NO.	DIMENSIONS							
FRAME SIZE			A	B						
213T		901958	16 1/8	77 1/8						
215T		901958	16 1/8	77 1/8						
254T		901958	16 3/8	77 1/8						
256T		901958	16 3/8	77 1/8						
284T		901958	18	77 1/8						
286T		901958	18	77 3/8						
324T		901958	20	79 7/8						
326T		901958	20	81 5/8						
		WEIGHT LESS MOTOR								
		LBS	900							
		KG	408							

DIMENSIONS 106-107 p2 of 2		TYPE	SIZE	UNIT STYLE	
Section	106	MLX, MRLX, MRLXW MLN, MRLN	4B	HRB	
Effective	August 2005				
Replaces	November 1988				

RIGHT HAND ROTATION , FOR LEFT HAND ROTATION , INTAKE, DISCHARGE , AND RELIEF VALVE ARE OPPOSITE THAT SHOWN



DIMENSIONS ARE IN MILLIMETERS , "A" DIMENSION LESS EYEBOLT
 * TOLERANCE ±3,18 , TOLERANCE ON OTHER DIMENSIONS ±6,35

MOTOR		BASE NO.	DIMENSIONS							
FRAME SIZE			A	B						
213T		901958	409,6	1959						
215T		901958	409,6	1959						
254T		901958	415,9	1959						
256T		901958	415,9	1959						
284T		901958	457,2	1959						
286T		901958	457,2	1965,3						
324T		901958	508	2028,8						
326T		901958	508	2073,3						
		WEIGHT LESS MOTOR								
		LBS	900							
		KG	408							