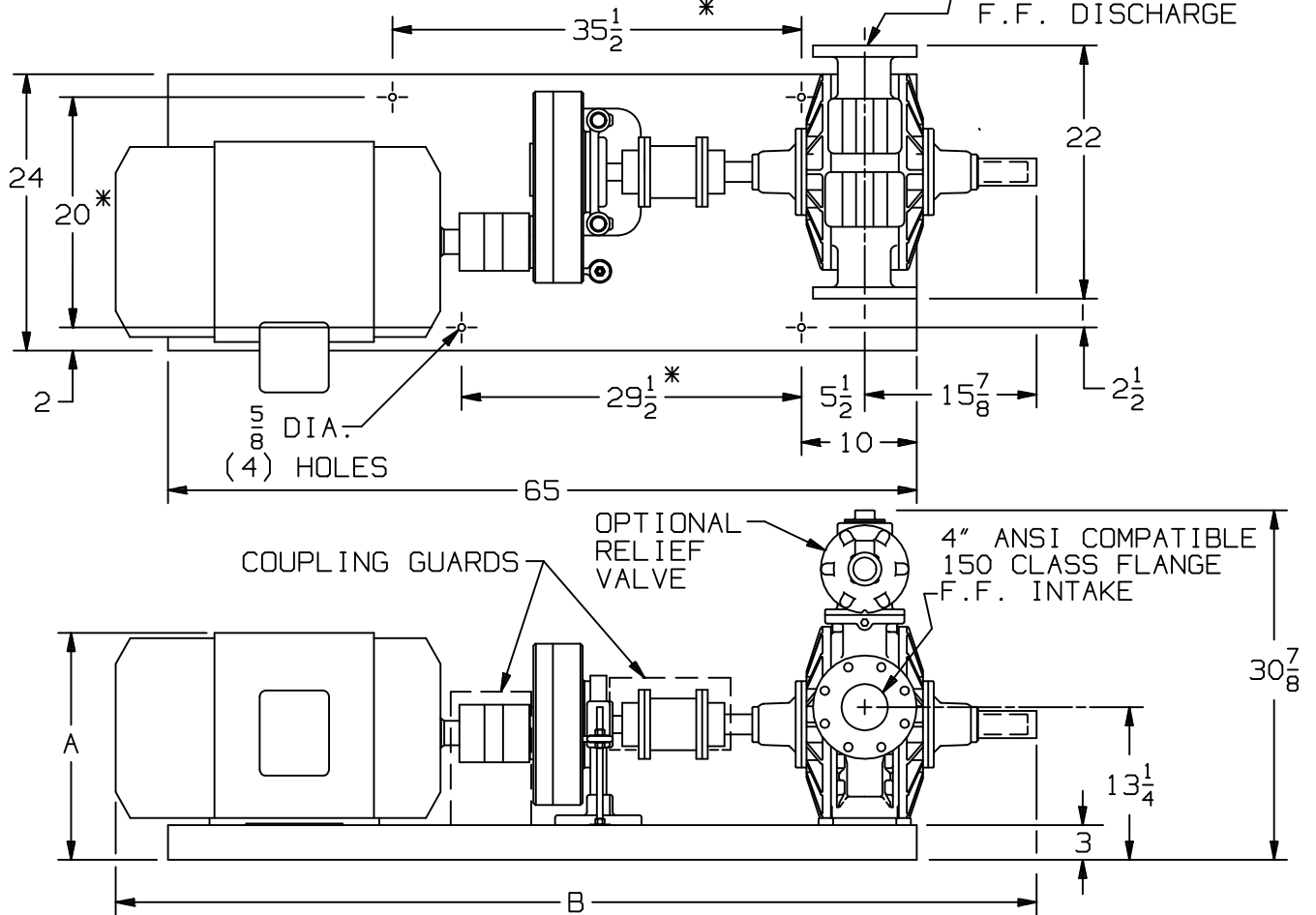




TYPE MLX, MRLX, MRLXW MLN, MRLN	SIZE	UNIT STYLE	DIMENSIONS 106-109	
	4B	HRC	Section Effective Replaces	106 August 2005 November 1988

RIGHT HAND ROTATION ,FOR LEFT HAND ROTATION ,INTAKE, DISCHARGE ,AND RELIEF VALVE ARE OPPOSITE THAT SHOWN / 4" ANSI COMPATIBLE 150 CLASS FLANGE F.F. DISCHARGE



DIMENSIONS ARE IN INCHES "A" DIMENSION LESS EYEBOLT
* TOLERANCE ±1/8 , TOLERANCE ON OTHER DIMENSIONS ±1/4

MOTOR		BASE NO.	DIMENSIONS									
FRAME SIZE			A	B								
254T		901959	17 3/8	77 1/8								
256T		901959	17 3/8	77 1/8								
284T		901959	18	77 1/8								
286T		901959	18	78 1/8								
324T		901959	20	80 5/8								
326T		901959	20	82 3/8								
		WEIGHT LESS MOTOR										
		LBS	925									
		KG	419									

