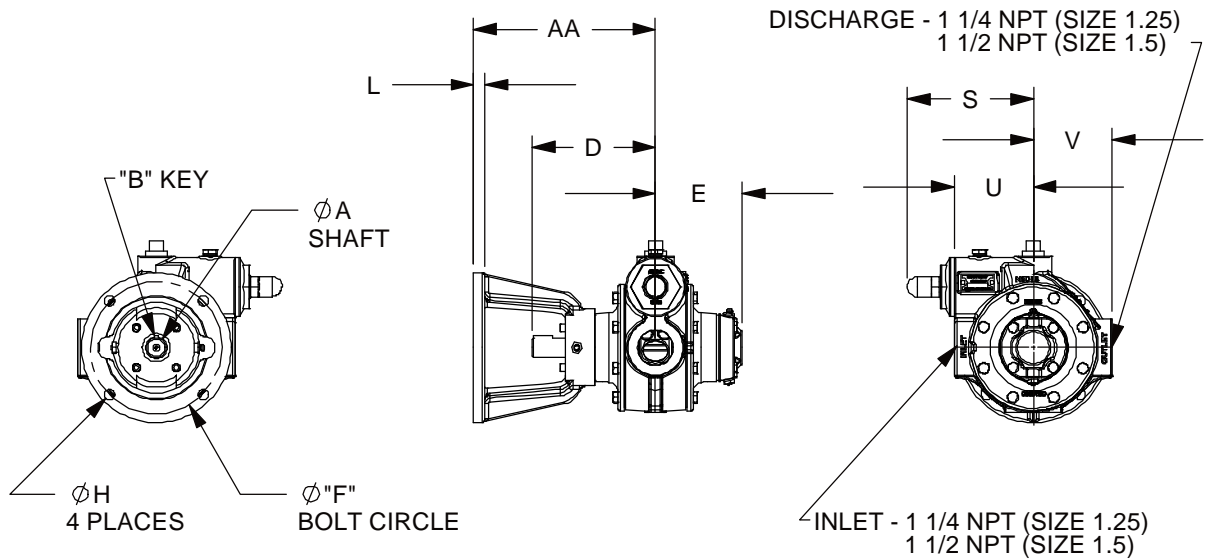




TYPE	SIZE	UNIT STYLE	DIMENSIONS 107-103	
	XLF XRLF	1.25B 1.5B	PO	Section 107 Effective AUGUST 2007 Replaces APRIL 2003 Page 1 / 5

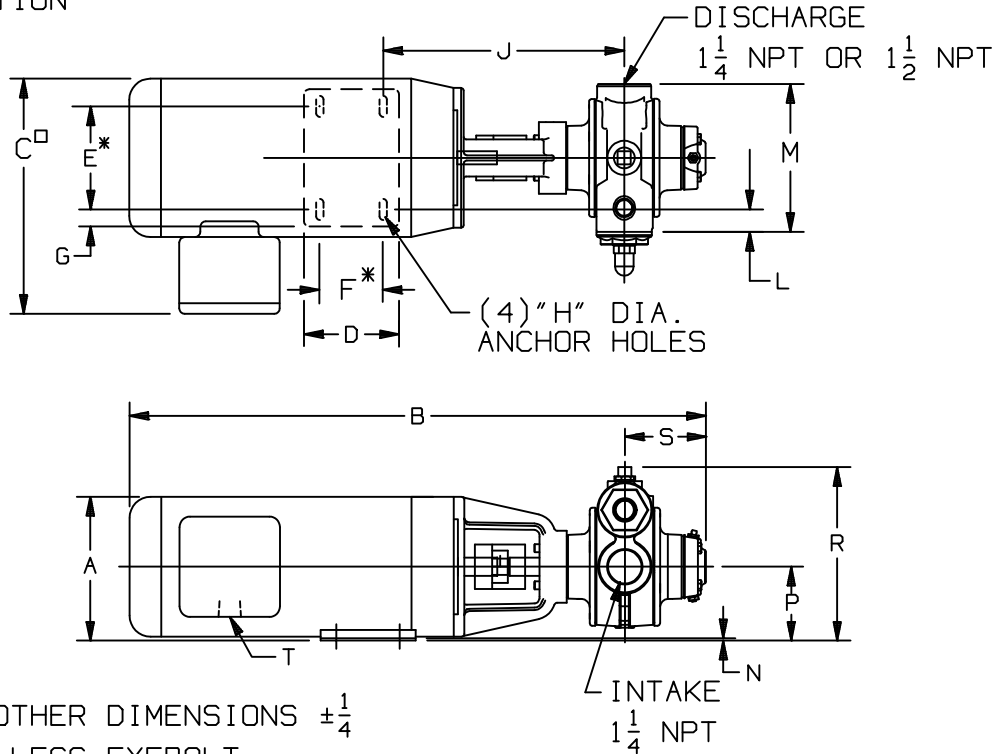


MOTOR			UNITS	DIMENSIONS									
FRAME SIZE				A	B	C	D	E	F	G	H	J	K
			IN	7/8	3/16	—	5 7/16	3 7/8	5 7/8	—	7/16	—	—
			MM	22,2	4,8	—	138,1	98,4	149,2	—	11,1	—	—
				L	M	N	P	Q	R	S	T	U	V
			IN	1/2	—	—	—	—	—	5 9/16	—	3 1/2	3 1/2
			MM	12,7	—	—	—	—	—	141,3	—	88,9	88,9
				W	X	Y	Z	AA	BB	CC	DD	EE	FF
			IN	—	—	—	—	8 1/16	—	—	—	—	—
			MM	—	—	—	—	204,8	—	—	—	—	—
				PUMP WEIGHT									
				LBS		39							
				KG		17,7							



TYPE	SIZE	UNIT STYLE	DIMENSIONS 107-103	
	XRLF		1.25B	Section Effective
XLF	1.25B, 1.5B	XF	Replaces	APRIL 2003
			Pg	2/5

RIGHT HAND ROTATION



\* TOLERANCE  $\pm \frac{1}{8}$   
 TOLERANCE ON OTHER DIMENSIONS  $\pm \frac{1}{4}$   
 "A" DIMENSION LESS EYEBOLT  
 □ MAXIMUM UNIT WIDTH

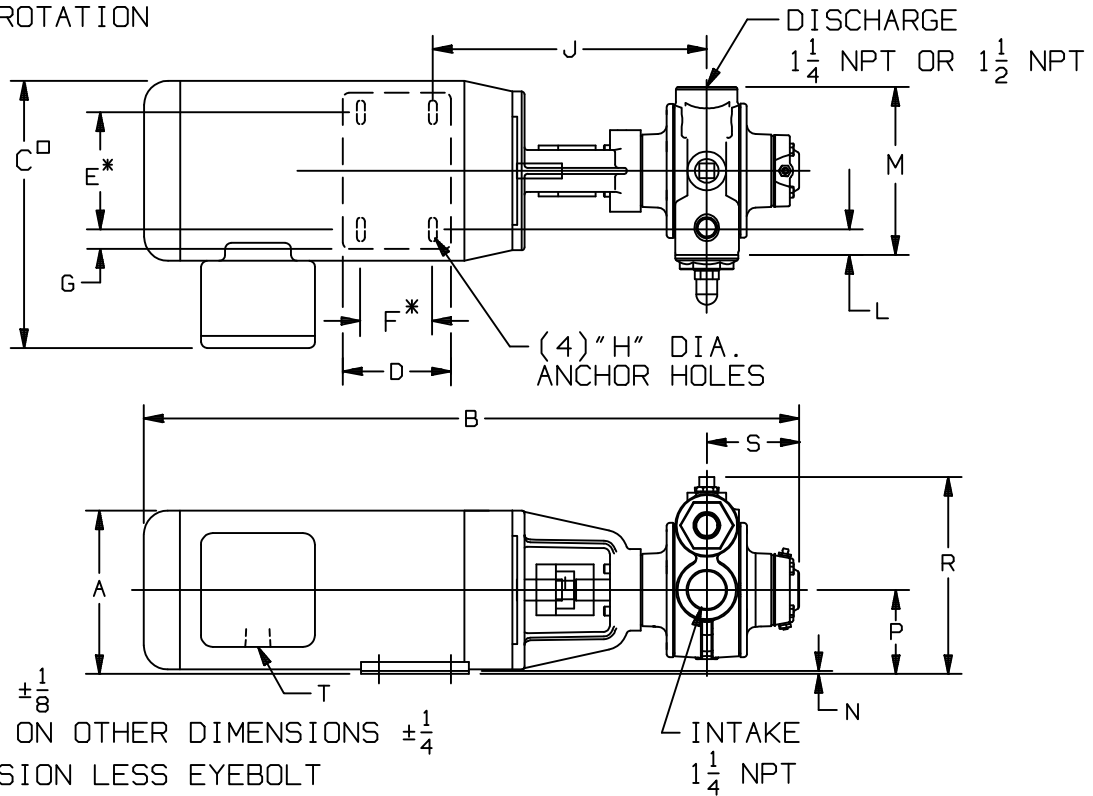
MOTOR EXPLOSION PROOF 1800 RPM 60 HZ			DIMENSIONS															UNIT WEIGHT		
FRAME SIZE	H.P.	UNITS	A	B	C	D	E	F	G	H	J	L	M	N	P	R	S	T	UNITS	WITH MOTOR
56C 1 PH	1	IN	7 1/8	255/8	10 1/4	4 1/2	4 7/8	3	13/16	1 1/32	13 7/16	1 1/16	7	5/32	3 1/2	8 1/4	3 7/8	1/2	LBS	100
56C 3 PH	1	IN	7 1/8	243/4	10 1/4	4 1/2	4 7/8	3	13/16	1 1/32	13 7/16	1 1/16	7	5/32	3 1/2	8 1/4	3 7/8	1/2	LBS	85
56C 1 PH	1 1/2	IN	7 1/8	273/4	10 1/4	4 1/2	4 7/8	3	13/16	1 1/32	13 7/16	1 1/16	7	5/32	3 1/2	8 1/4	3 7/8	1/2	LBS	139
56C 3 PH	1 1/2	IN	7 1/8	243/4	10 1/4	4 1/2	4 7/8	3	13/16	1 1/32	13 7/16	1 1/16	7	5/32	3 1/2	8 1/4	3 7/8	1/2	LBS	90
56CZ 1 PH	2	IN	7 1/8	253/4	10 1/4	4 1/2	4 7/8	3	13/16	1 1/32	13 7/16	1 1/16	7	5/32	3 1/2	8 1/4	3 7/8	3/4	LBS	130
56C 3 PH	2	IN	7 1/8	255/8	10 1/4	4 1/2	4 7/8	3	13/16	1 1/32	13 7/16	1 1/16	7	5/32	3 1/2	8 1/4	3 7/8	1/2	LBS	100
143TC 3 PH	1	IN	7 3/16	245/8	10 1/4	5 15/16	5 1/2	4 1/2	1/2	1 1/32	10 15/16	3/4	7	5/32	3 1/2	8 1/4	3 7/8	3/4	LBS	100
145TC 3 PH	2	IN	7 3/16	273/8	10 1/4	5 15/16	5 1/2	5	1/2	1 1/32	10 15/16	3/4	7	5/32	3 1/2	8 1/4	3 7/8	3/4	LBS	100
182TC 1 PH	2	IN	8 5/8	283/4	11 1/2	6 1/2	7 1/2	4	9/16	13/32	12 1/2	1/4	7	5/32	4 1/2	9 1/4	3 7/8	3/4	LBS	139
182TC 3 PH	3	IN	8 5/8	28 1/16	11 1/2	6 1/2	7 1/2	4	9/16	13/32	12 1/2	1/4	7	5/32	4 1/2	9 1/4	3 7/8	3/4	LBS	139
215C 1 PH	3	IN	10 3/16	293/4	13 5/16	8	8 1/2	7	1/2	1/2	12 5/8	3/4	7	5/32	4 1/2	10	3 7/8	3/4	LBS	123
215C 1 PH	5	IN	10 3/16	307/8	13 5/16	8	8 1/2	7	1/2	1/2	12 5/8	3/4	7	5/32	4 1/2	10	3 7/8	3/4	LBS	123



TYPE	SIZE	UNIT STYLE
XRLF	1.25B	XF
XLF	1.25B, 1.5B	

DIMENSIONS 107-103	
Section	107
Effective	Aug 2007
Replaces	APRIL 2003
Pg	3/5

RIGHT HAND ROTATION



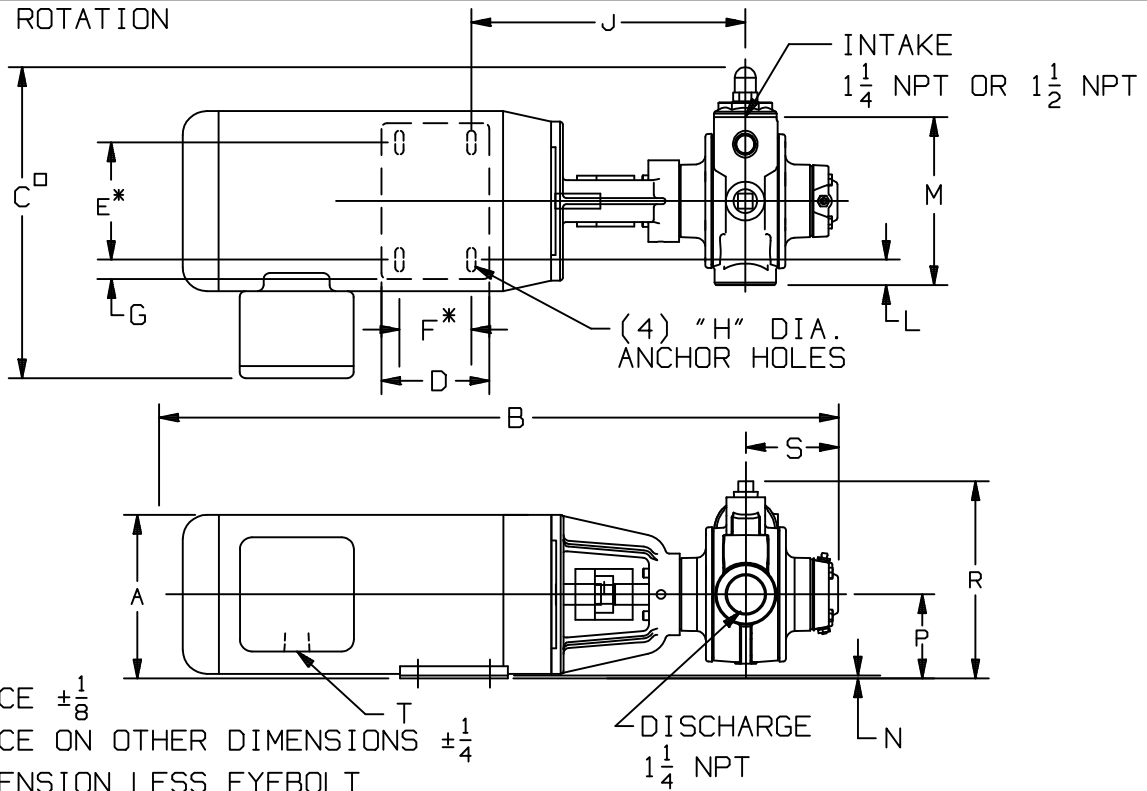
\* TOLERANCE  $\pm \frac{1}{8}$   
 TOLERANCE ON OTHER DIMENSIONS  $\pm \frac{1}{4}$   
 "A" DIMENSION LESS EYEBOLT  
 □ MAXIMUM UNIT WIDTH

MOTOR EXPLOSION PROOF 1800 RPM 60 HZ			DIMENSIONS															UNIT WEIGHT		
FRAME SIZE	H.P.	UNITS	A	B	C	D	E	F	G	H	J	L	M	N	P	R	S	T	UNITS	WITH MOTOR
56C 1 PH	1	MM	184.2	650.9	260.1	114.3	123.9	76.2	20.6	8.7	341.3	26.9	178	4.0	88.9	209.6	98.4	12.7	LBS	100
56C 3 PH	1	MM	184.2	628.7	260.1	114.3	123.9	76.2	20.6	8.7	341.3	26.9	178	4.0	88.9	209.6	98.4	12.7	LBS	85
56C 1 PH	1 1/2	MM	184.2	704.9	260.1	114.3	123.9	76.2	20.6	8.7	341.3	26.9	178	4.0	88.9	209.6	98.4	12.7	LBS	139
56C 3 PH	1 1/2	MM	184.2	628.7	260.1	114.3	123.9	76.2	20.6	8.7	341.3	26.9	178	4.0	88.9	209.6	98.4	12.7	LBS	90
56CZ 1 PH	2	MM	184.2	654.1	260.1	114.3	123.9	76.2	20.6	8.7	341.3	26.9	178	4.0	88.9	209.6	98.4	12.7	LBS	130
56C 3 PH	2	MM	184.2	650.9	260.1	114.3	123.9	76.2	20.6	8.7	341.3	26.9	178	4.0	88.9	209.6	98.4	12.7	LBS	100
143TC 3 PH	1	MM	182.6	625.5	260.1	150.8	139.7	114	12.7	8.7	277.8	19.1	178	4.0	88.9	209.6	98.4	19.1	LBS	100
145TC 3 PH	2	MM	182.6	695.5	260.1	150.8	139.7	127	12.7	8.7	277.8	19.1	178	4.0	88.9	209.6	98.4	19.1	LBS	100
182TC 1 PH	2	MM	219.1	730.3	292.6	165.1	190.5	102	14.3	10.3	317.5	6.4	178	4.0	114.3	234.9	98.4	19.1	LBS	139
182TC 3 PH	3	MM	219.1	712.7	292.6	165.1	190.5	102	14.3	10.3	317.5	6.4	178	4.0	114.3	234.9	98.4	19.1	LBS	139
215C 1 PH	3	MM	258.8	755.7	334	203.2	215.9	178	12.7	12.7	320.7	19.1	178	4.0	114.3	254	98.4	19.1	LBS	123
215C 1 PH	5	MM	258.8	784.2	334	203.2	215.9	178	12.7	12.7	320.7	19.1	178	4.0	114.3	254	98.4	19.1	LBS	123



TYPE	SIZE	UNIT STYLE	DIMENSIONS 107-103	
XRLF	1.25B	XF	Section Effective	107 AUGUST 2007
XLF	1.25B, 1.5B		Replaces	APRIL 2003
			Pg 4/5	

LEFT HAND ROTATION



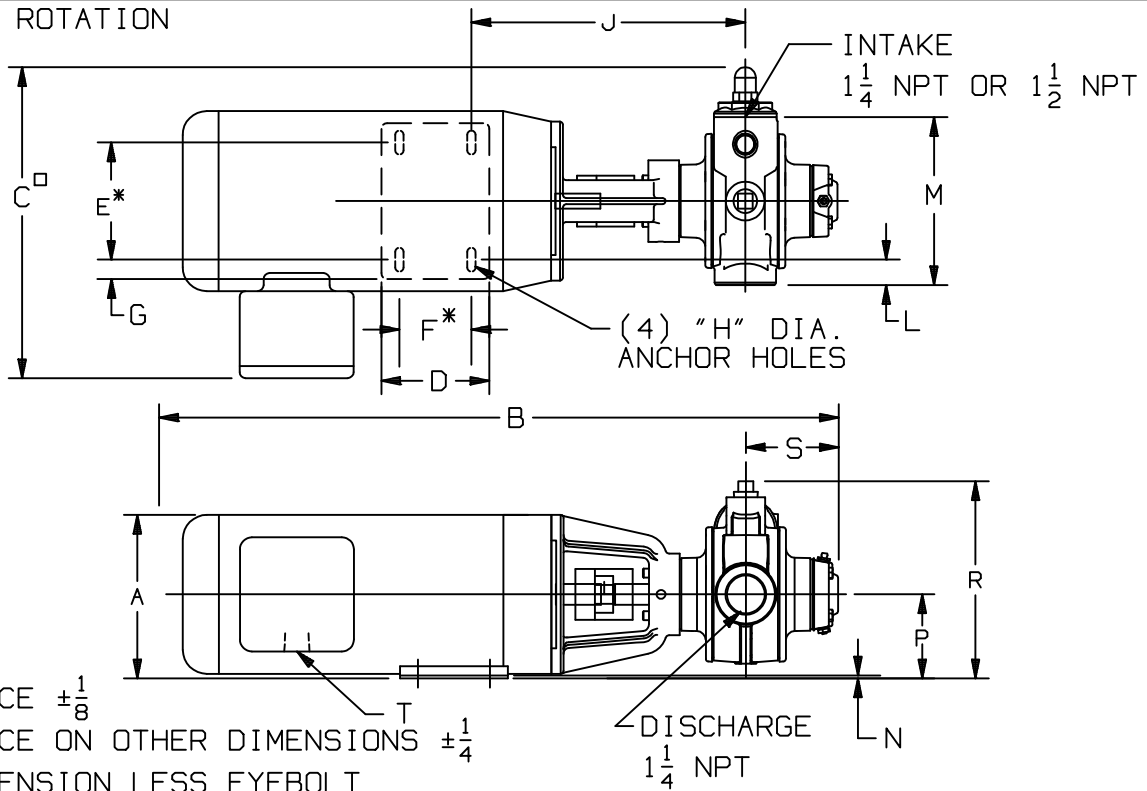
\* TOLERANCE  $\pm \frac{1}{8}$   
 TOLERANCE ON OTHER DIMENSIONS  $\pm \frac{1}{4}$   
 "A" DIMENSION LESS EYEBOLT  
 □ MAXIMUM UNIT WIDTH

MOTOR EXPLOSION PROOF 1800 RPM 60 HZ			DIMENSIONS																UNIT WEIGHT	
FRAME SIZE	H.P.	UNITS	A	B	C	D	E	F	G	H	J	L	M	N	P	R	S	T	UNITS	WITH MOTOR
56C 1 PH	1	IN	7 1/8	255/8	12 9/16	4 1/2	4 7/8	3	13/16	1 1/32	13 7/16	1 1/16	7 5/32	3 1/2	8 1/4	3 7/8	1/2	LBS	100	
56C 3 PH	1	IN	7 1/8	243/4	12 9/16	4 1/2	4 7/8	3	13/16	1 1/32	13 7/16	1 1/16	7 5/32	3 1/2	8 1/4	3 7/8	1/2	LBS	85	
56C 3 PH	1 1/2	IN	7 1/8	243/4	12 9/16	4 1/2	4 7/8	3	13/16	1 1/32	13 7/16	1 1/16	7 5/32	3 1/2	8 1/4	3 7/8	1/2	LBS	90	
184C 1 PH	1 1/2	IN	8 5/8	24 1/4	13 1/8	6 1/2	7 1/2	5 1/2	9/16	13/32	12 1/2	1/4	7 5/32	4 1/2	9 1/4	3 7/8	3/4	LBS	139	
56CZ 1 PH	2	IN	7 1/8	253/4	12 9/16	4 1/2	4 7/8	3	13/16	1 1/32	13 7/16	1 1/16	7 5/32	3 1/2	8 1/4	3 7/8	3/4	LBS	130	
56C 3 PH	2	IN	7 1/8	255/8	12 9/16	4 1/2	4 7/8	3	13/16	1 1/32	13 7/16	1 1/16	7 5/32	3 1/2	8 1/4	3 7/8	1/2	LBS	100	
145TC 3 PH	2	IN	7 3/16	273/8	12 9/16	5 15/16	5 1/2	5	1/2	1 1/32	10 15/16	3/4	7 5/32	3 1/2	8 1/4	3 7/8	3/4	LBS	100	
182TC 1 PH	2	IN	8 5/8	283/4	13 1/8	6 1/2	7 1/2	4	9/16	13/32	12 1/2	1/4	7 5/32	4 1/2	9 1/4	3 7/8	3/4	LBS	139	
182TC 3 PH	3	IN	8 5/8	28 1/16	13 1/8	6 1/2	7 1/2	4	9/16	13/32	12 1/2	1/4	7 5/32	4 1/2	9 1/4	3 7/8	3/4	LBS	139	
215C 1 PH	3	IN	10 3/16	293/4	14	8	8 1/2	7	1/2	1/2	12 5/8	3/4	7 5/32	4 1/2	10	3 7/8	3/4	LBS	123	
184TC 3 PH	5	IN	8 5/8	27 7/8	13 1/8	6 1/2	7 1/2	5 1/2	9/16	13/32	12 1/2	1/4	7 5/32	4 1/2	9 1/4	3 7/8	3/4	LBS	157	
215C 1 PH	5	IN	10 3/16	307/8	14	8	8 1/2	7	1/2	1/2	12 5/8	3/4	7 5/32	4 1/2	10	3 7/8	3/4	LBS	123	



TYPE	SIZE	UNIT STYLE	DIMENSIONS 107-103	
	XRLF		1.25B	Section Effective
XLF	1.25B, 1.5B	XF	Replaces	APRIL 2003
			Pg	5/5

LEFT HAND ROTATION



\* TOLERANCE  $\pm \frac{1}{8}$   
 TOLERANCE ON OTHER DIMENSIONS  $\pm \frac{1}{4}$   
 "A" DIMENSION LESS EYEBOLT  
 □ MAXIMUM UNIT WIDTH

MOTOR EXPLOSION PROOF 1800 RPM 60 HZ			DIMENSIONS															UNIT WEIGHT		
FRAME SIZE	H.P.	UNITS	A	B	C	D	E	F	G	H	J	L	M	N	P	R	S	T	UNITS	WITH MOTOR
56C 1 PH	1	MM	184,2	650,9	319	114,3	123,9	76,2	20,6	8,7	341,3	26,9	178	4,0	88,9	209,6	98,4	12,7	KG	45,4
56C 3 PH	1	MM	184,2	628,7	319	114,3	123,9	76,2	20,6	8,7	341,3	26,9	178	4,0	88,9	209,6	98,4	12,7	KG	38,6
56C 3 PH	1 1/2	MM	184,2	628,7	319	114,3	123,9	76,2	20,6	8,7	341,3	26,9	178	4,0	88,9	209,6	98,4	12,7	KG	40,8
184C 1 PH	1 1/2	MM	219,1	615,9	333,4	165,1	190,5	140	14,3	10,3	317,5	6,4	178	4,0	114,3	234,9	98,4	19,1	KG	63,0
56CZ 1 PH	2	MM	184,2	654,1	319	114,3	123,9	76,2	20,6	8,7	341,3	26,9	178	4,0	88,9	209,6	98,4	12,7	KG	58,9
56C 3 PH	2	MM	184,2	650,9	319	114,3	123,9	76,2	20,6	8,7	341,3	26,9	178	4,0	88,9	209,6	98,4	12,7	KG	45,4
145TC 3 PH	2	MM	182,6	695,5	319	150,8	139,7	127	12,7	8,7	277,8	19,1	178	4,0	88,9	209,6	98,4	19,1	KG	45,4
182TC 1 PH	2	MM	219,1	730,3	333,4	165,1	190,5	102	14,3	10,3	317,5	6,4	178	4,0	114,3	234,9	98,4	19,1	KG	63,0
182TC 3 PH	3	MM	219,1	712,7	333,4	165,1	190,5	102	14,3	10,3	317,5	6,4	178	4,0	114,3	234,9	98,4	19,1	KG	63,0
215C 1 PH	3	MM	258,8	755,7	353,6	203,2	215,9	178	12,7	12,7	320,7	19,1	178	4,0	114,3	254	98,4	19,1	KG	55,8
184TC 3 PH	5	MM	219,1	708,0	333,4	165,1	190,5	140	14,3	10,3	317,5	6,4	178	4,0	114,3	234,9	98,4	19,1	KG	71,2
215C 1 PH	5	MM	258,8	784,2	353,6	203,2	215,9	178	12,7	12,7	320,7	19,1	178	4,0	114,3	254	98,4	19,1	KG	55,8