

BLACKMER PARTS LIST

96208

PARTS LIST

Page 1 of 2

107-A01

PUMP MODELS: , XRL1.25A, XL1.25A, XL1.5A

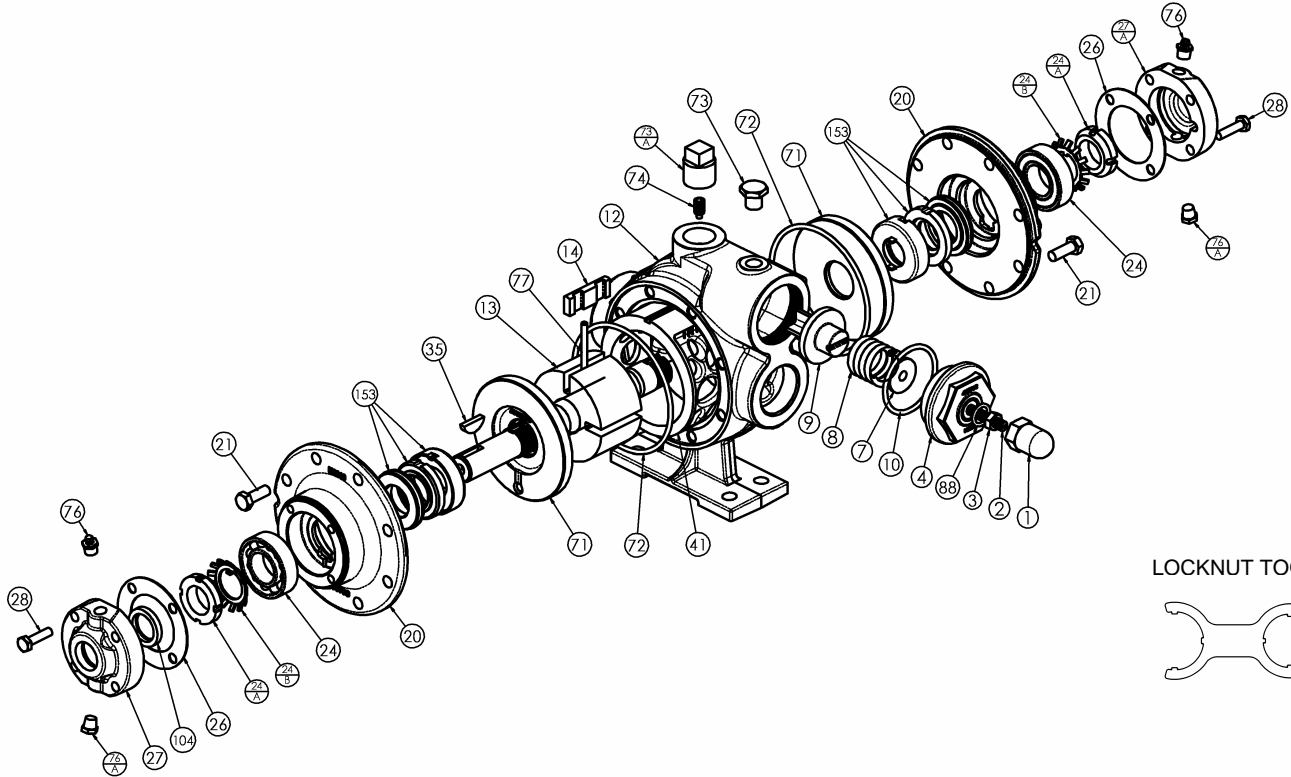
XRLF1.25B, XLF1.25B, XLF1.5B,

and discontinued models X(R)LF1.25(A), XLF1.5(A), X(R)L1.25, XL1.5

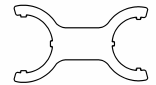
See Instructions 107-A00 for Installation, Operation and Maintenance

Section
Effective
Replaces

107
Sept 2007
Jan 2006



LOCKNUT TOOL



Ref. No.	Description	Parts per Pump	Part No.	Ref. No.	Description	Parts per Pump	Part No.
1	Cap – Relief Valve (R/V)	1	413200	28	Capscrews – Bearing Cover	4-8	920080
2	Adjusting Screw – R/V	1	433909	35	Key – Shaft	1	¹ 909125
3	Locknut – Adjusting Screw	1	922923	41	Liner – XRL(F) 1.25	1	² 183003
4	Cover – R/V	1	413076		Liner – XL(F) 1.25		² 183004
7	Spring Guide – R/V	1	423955		Liner – XL(F) 1.5		² 183301
8	Spring – R/V (20 - 50 psi)	1	471415	71	Disc	2	² 063075
	Spring – R/V (51 - 80 psi) (Std.)		471420	72	O-Ring – Head (FKM) (Std.)	2	¹ 701991
	Spring – R/V (81 - 150 psi)		471428		O-Ring – Head (PTFE)		702066
9	Valve – R/V	1	453079	73	Gage Plug (1/4")	1	908198
10	O-Ring – R/V Cover (FKM) (Std.)	1	701970	73A	Gage Plug (3/4")	1	908225
	O-Ring – R/V Cover (PTFE)		702084	74	Setscrew – Liner	1	922088
12	Casing with Feet(1.25)	1	013075	76	Grease Fitting	2	317815
	Casing with Feet(1.5)		013376	76A	Grease Relief Fitting	2	701992
13	Rotor & Shaft Assembly, Four Vane (Includes Ref. Nos. 24A & 24B)	1	² 263076	77	Push Rod – XRL(F) 1.25	2	¹ 123004
14	Vane – Duravane (Std.)	4	¹ 093088		Push Rod – XL(F) 1.25		¹ 123076
	Vane – Extra Clearance Laminate		093091		Push Rod XL(F) 1.5		¹ 123401
20	Head	2	033073	88	O-Ring – R/V Cap (FKM) (Std.)	1	¹ 701908
21	Capscrews – Head	16	920276		O-Ring – R/V Cap (PTFE)		702074
24	Ball Bearing	2	¹ 903114	104	Grease Seal	1	¹ 331927
24A	Locknut – Bearing	2	² 903534	—	Tool – Locknut	—	903090
24B	Lockwasher – Bearing	2	¹ 903533	—	Kit - Maintenance , XRL(F)1.25	—	898966
26	Gasket - Bearing Cover	1-2	¹ 383075	—	Kit - Maintenance , XL(F)1.25	—	898968
27	Bearing Cover – Inboard	0-1	043070	—	Kit - Maintenance , XL(F)1.5	—	898970
27A	Bearing Cover – Outboard	1	043071	—	Kit – Rebuild , XRL(F)1.25	—	899066
				—	Kit – Rebuild , XL(F)1.25	—	899068
				—	Kit – Rebuild , XL(F)1.5	—	899070

¹ Included in Maintenance Kits and Rebuild Kits

² Included in Rebuild Kits

Ref. No. 73A: Earlier versions of these pumps may use a 1/4" plug (pn 908198) or 1/2" plug (pn 908215).

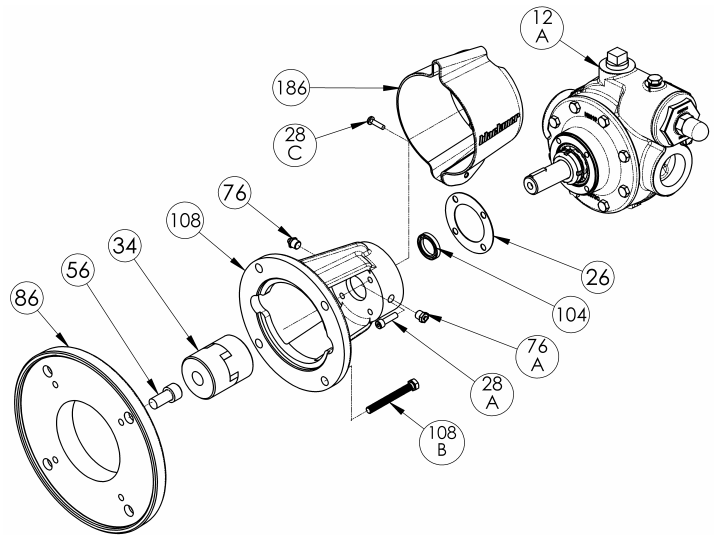
Note: earlier versions of these pumps used taper pins, which are no longer required.

Keep this parts list with Installation, Operation and Maintenance Instructions.

FLANGE "F" STYLE

Ref. No.	Part Name	Parts Per Pump	Part No.
12A	Casing without Feet X(R)LF1.25	1	013077
	Casing without Feet XLF1.5		013377
26	Gasket - Bearing Cover	1	383075
28A	Bracket Mounting Screws	4	920101
28C	Guard Screw	1	920026
34	Coupling Half - Pump (182TC-184TC/215C)	1	906147
	Coupling Half - Motor (56C)		906151
	Coupling Half - Motor (143TC-184C)		906147
	Coupling Half - Motor (182TC-184TC/215C)		906146
	Coupling Spider		906155
56	Capscrews - Adapter Ring Mounting	4	920480
76	Grease Fitting	1	317815
76A	Grease Relief Fitting	1	701992
86	Motor Adapter Ring (182TC, 184TC, 215C)	1	832914
104	Grease Seal	1	331927
108 *	Mounting Bracket Includes Ref. Nos. 76 & 76A	1	832912
108B	Capscrews - Bracket	4	920331
186	Guard	1	804120

* Models XRLFL1.25A, XLF1.25A, XLF1.5A, XRLFL1.25, XLF1.25 and XLF1.5 use mounting bracket 833000.



MECHANICAL SEAL

Ref. No.	Mechanical Seal Assembly	Parts Per Pump	Part No.
153	Hardened Steel Stationary Seat, Carbon Rotating Seal Face, FKM O-Rings (SVCV)- (STD)	2	¹ 333044
	Hardened Steel Stationary Seat with PTFE O-Ring, Carbon Rotating Seal Face with PTFE Seal Ring (SACT)		332381
153A**	Stationary Seat (Hardened Steel)	2	333061
153B**	Seal Face (Carbon)	2	333053
153C**	Jacket Assembly	2	333057
153D	O-Ring - Stationary (FKM)	2	711908
	O-Ring - Stationary (PTFE)		702076
153E	O-Ring - Rotating (FKM)	2	701971
	O-Ring - Rotating (PTFE)		711961

¹ Included in Maintenance Kits and Rebuild Kits

** Mechanical Seal (Ref No. 153) is only sold as a complete assembly. Ref. No.'s 153A, 153B, 153C are not available as separate parts.

