

# BLACKMER PARTS LIST

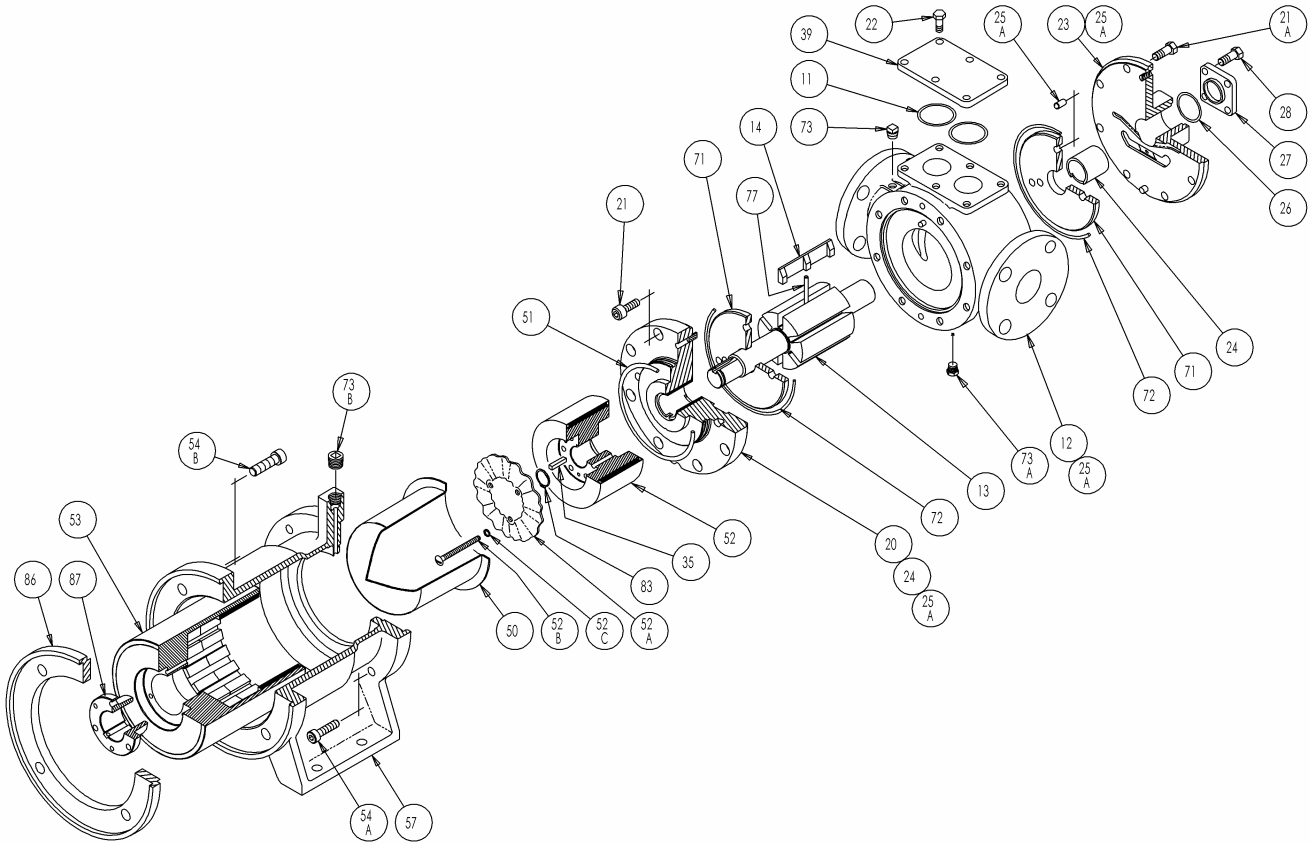
## PUMP MODELS: SMVP50B, SMVP100B

(See Instructions 108-B00 for Installation, Operation and Maintenance)

### Discontinued Models: SMVP50A, SMVP100A

(See Instructions 185/UU for Installation, Operation and Maintenance)

Section 108  
Effective Sept 2007  
Replaces April 2005

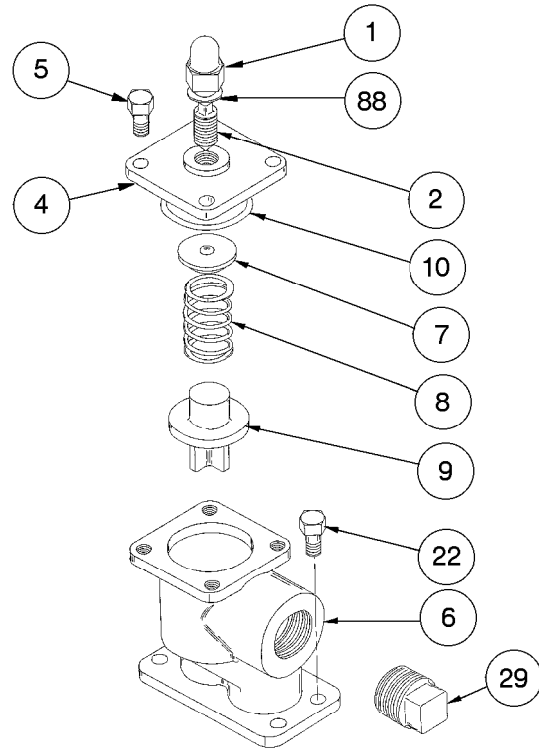


Ref. No.	Description	Parts per Pump	50 Part No.	100 Part No.	Ref. No.	Description	Parts per Pump	50 Part No.	100 Part No.
11	Seal Ring - Blanking Plate (PTFE)	2	533811	533811	53	Outer Magnet	1	See Back	See Back
12	Cylinder	1	023701	024701	54A	Capscrews - Housing/Head	4	920371	920371
13	Rotor & Shaft	1	<sup>2</sup> 263700	<sup>2</sup> 264700	54B	Capscrews - Housing/Motor 182-184 TC Frame	4	920508	920508
14	Vane - Duravane	6	<sup>1</sup> 091405	<sup>1</sup> 094700		Capscrews - Housing/Motor 213-215TC Frame		920536	920536
20	Inboard Head & Bearing Asy.	1	033700	033700		Capscrews - Housing/Motor 254-256TC Frame		920554	920554
21	Capscrews - Inboard Head	8	920338	920338	57	Magnet Housing	1	681427	681427
21A	Capscrews - Outboard Head	8	920335	920335	71	Disc - Chem Disc	2	<sup>2</sup> 064700	<sup>2</sup> 064700
22	Capscrews - Blanking Plate	6	920179	920179	72	Seal Ring - Head (PTFE)	2	<sup>1</sup> 383801	<sup>1</sup> 383801
23	Outboard Head & Bearing Asy.	1	033804	033804	73	Gauge Plug (1/4" NPT)	2	908193	908193
24	Sleeve Bearing	2	<sup>1</sup> 161402	<sup>1</sup> 161402	73A	Drain Plug (SAE #6) w/ PTFE O-Ring	2	908213	908213
25A	Dowel Pin	6	930564	930564	73B	Plug - Housing (1/2" NPT)	1	908217	908217
26	Seal Ring - Bearing Cover (PTFE)	1	<sup>1</sup> 711957	<sup>1</sup> 711957	77	Push Rod	3	<sup>1</sup> 123700	<sup>1</sup> 123700
27	Bearing Cover	1	043101	043101	83	Snap Ring	1	<sup>1</sup> 903598	<sup>1</sup> 903598
28	Capscrews - Bearing Cover	4	920129	920129	86	Motor Adapter	1 - 2	831406	831406
35	Key - Shaft	1	<sup>1</sup> 909197	<sup>1</sup> 909197	87	Bushing - Outer Magnet	1	See Back	See Back
39	Blanking Plate	1	493801	493801	—	Warning Label - Magnet Housing	1	909504	909504
50	Containment Can	1	681404	681404	—	Kit — Maintenance	—	898940	898941
51	O-Ring - Containment Can (PTFE)	1	<sup>1</sup> 702083	<sup>1</sup> 702083	—	Kit — Rebuild	—	899040	899041
52	Inner Magnet	1	See Back	See Back					
52A	Impeller	1	684502	684502					
52B	Capscrew - Impeller	3	920021	920021					
52C	Lockwasher - Impeller	3	909530	909530					

<sup>1</sup> Included in Maintenance Kit and Rebuild Kit      <sup>2</sup> Included in Rebuild Kit  
Keep this parts list with Installation, Operation and Maintenance Instructions.

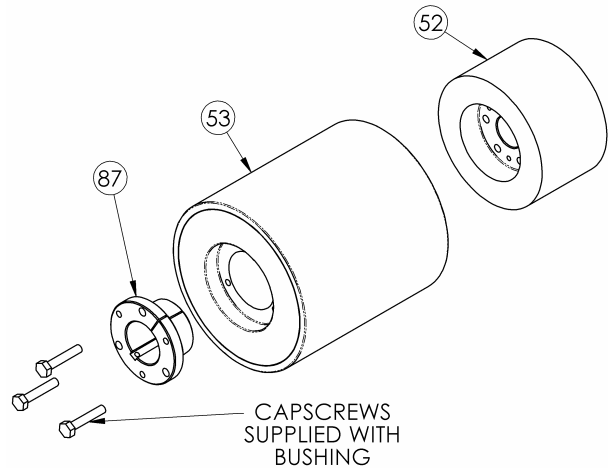
**RELIEF VALVE - OPTIONAL**

Ref. No.	Part Name	Parts Per Pump	Part No.
1	Cap - Relief Valve (R/V)	1	413151
2	Adjusting Screw - R/V	1	433101
4	Cover - R/V	1	413801
5	Capscrews - R/V Cover	4	920129
6	Body - R/V	1	403801
7	Spring Guide - R/V	1	423101
8	Spring - R/V (51-75 psi)(Std.)	1	471418
	Spring - R/V (76-100 psi)		471427
	Spring - R/V (101-150 psi)		471429
9	Valve - R/V	1	453803
10	O-Ring - R/V Cover (PTFE)	1	533801
22	Capscrews - R/V Body	6	920179
29	Plug (1-1/4")	1	908244
88	Gasket - R/V Cap	1	533101



**MAGNET OPTIONS**

Ref. No.	Part Name	Parts Per Pump	Part No.
52	Inner Magnet (MC60)	1	681460
53	Outer Magnet (MC60)	1	681470
	182-184TC Frame		
	213-215TC Frame		
87	Bushing Outer Magnet (MC60)	1	902451
	182-184TC Frame		902453
	213-215TC Frame		902468
	Bushing Outer Magnet (MC60)		902468
	254TC Frame (Includes Key)		



Discontinued Models SMVP50A & SMVP100A used different magnets and lockcollars in place of ref. (87) bushing. Replacement of either the Inner Magnet (52), Outer Magnet (53), or Bushing (87) on these models will require the replacement of all three parts.

