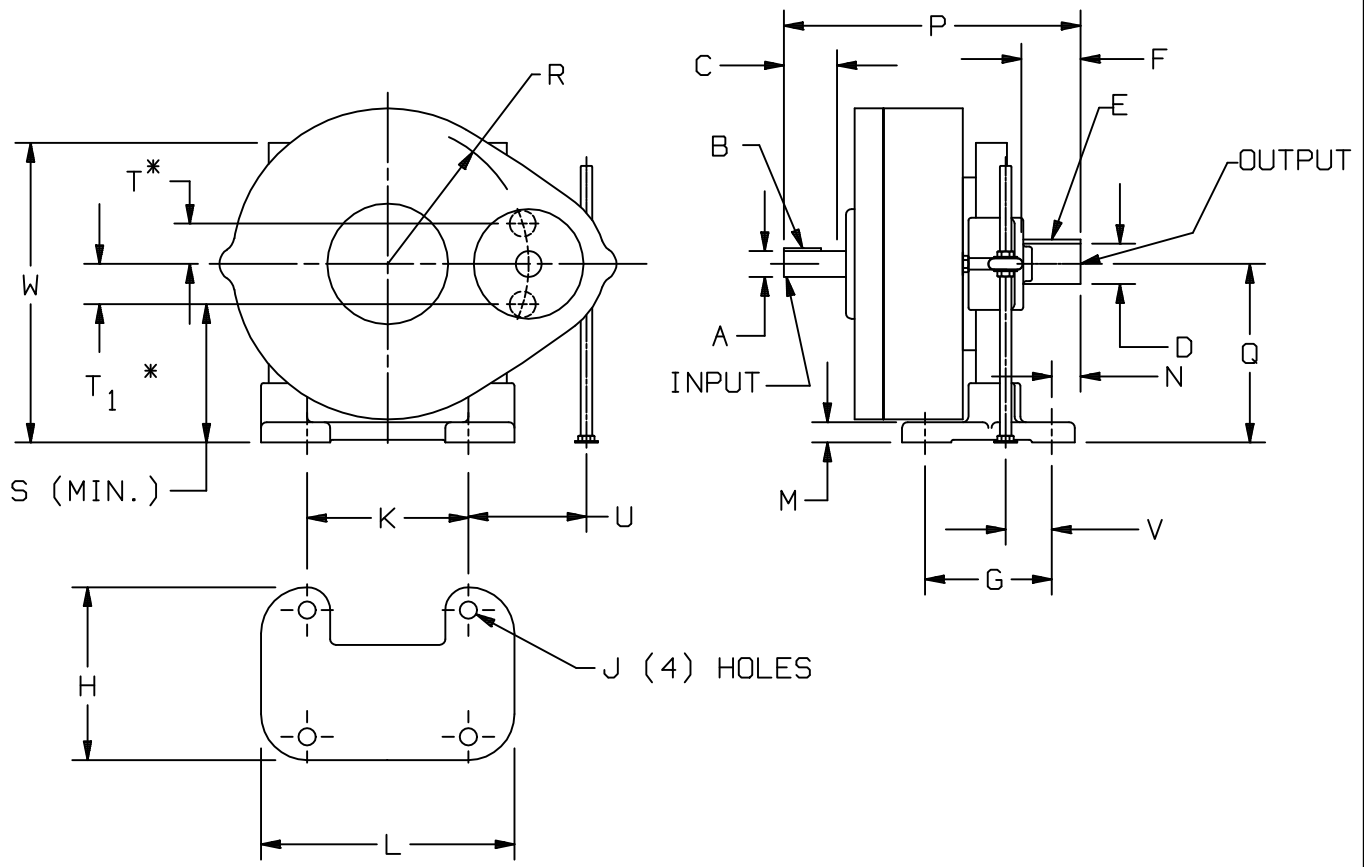




TYPE
HELICAL
GEAR REDUCER

MODEL
HRC

DIMENSIONS 109-104
Section 100
Effective September 2000
Replaces September 1989



* MAXIMUM POSITION
DIM TOLERANCE ±.13

			DIMENSIONS									
UNITS			A	B	C	D	E	F	G	H	J	K
	IN		1 1/8	1/4	2 5/16	1 3/4	3/8	2 9/16	5 1/2	7 1/2	3/4	7
	MM		28,6	6,4	58,7	44,5	9,5	65,1	139,7	190,5	19,0	177,8
			L	M	N	P	Q		R	S	T	T ₁
	IN		11	7/8	1 1/4	12 7/8	7 1/2 TO 10 3/4		6 1/8	6	1 3/4	1 3/4
	MM		279,4	22,2	31,7	327,0	190,5 TO 273,1		155,6	152,4	44,5	44,5
			U	V	W	X	Y	Z				
	IN		5 1/8	2	13	—	—	—				
	MM		130,2	50,8	330,2	—	—	—				
			WEIGHT									
	LBS		165									
	KG		75									