

# BLACKMER PARTS LIST

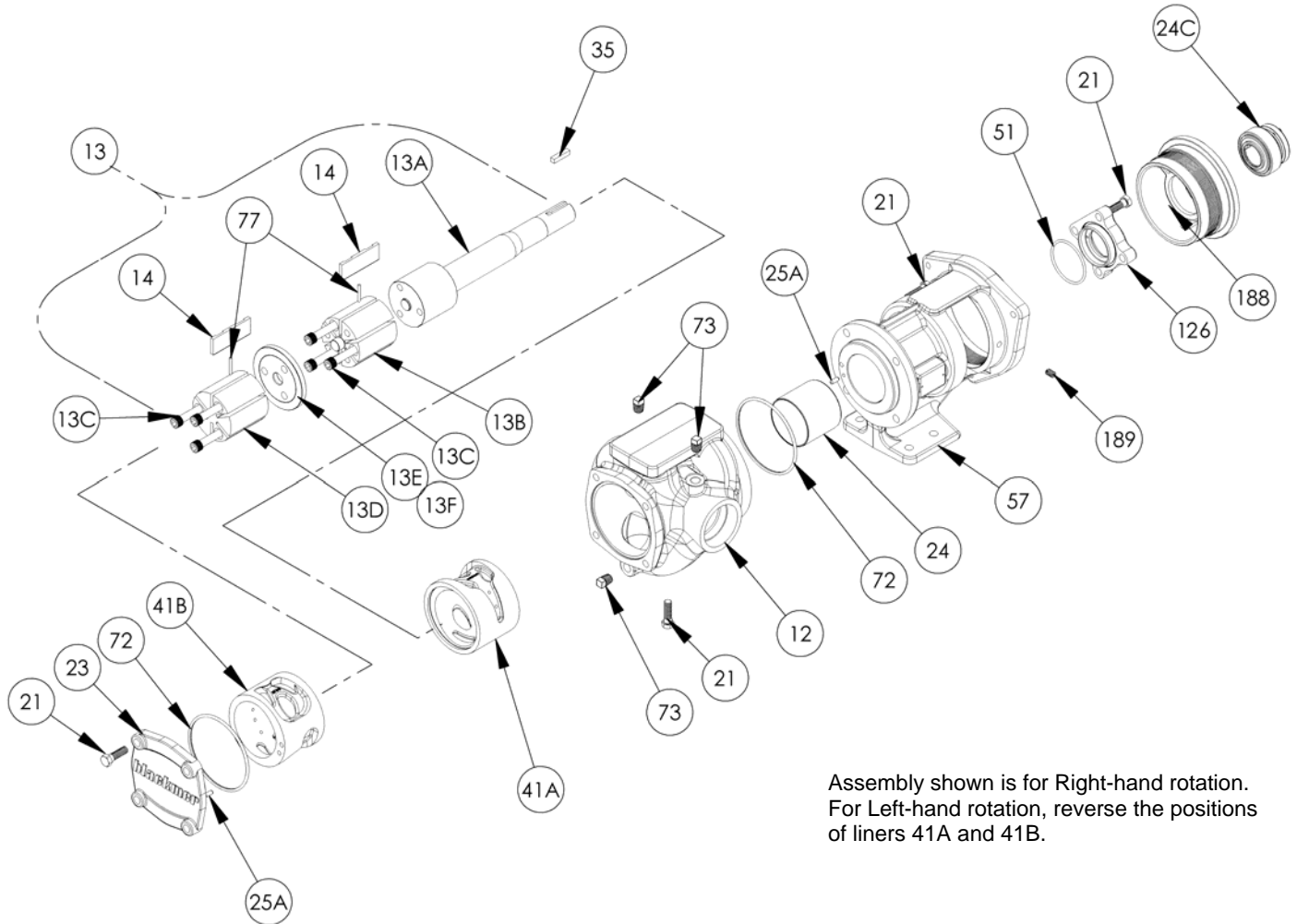
## PUMP MODEL: PV80B, PV100B

See Instructions 111-D00 for Installation, Operation and Maintenance

965827  
Page 1 of 3

**PARTS LIST**  
**111-D01**

Section	111
Effective	Dec 2007
Replaces	Sept 2007



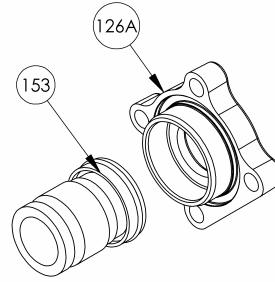
Assembly shown is for Right-hand rotation.  
For Left-hand rotation, reverse the positions of liners 41A and 41B.

Ref. No.	Description	Parts per Pump	Part No.	Ref. No.	Description	Parts per Pump	Part No.
12	Casing (Std.)	1	015812	41A	Liner – PV80B	1	185809
	Casing (RV Option)		015811		Liner – PV100B		185810
13	Rotor & Shaft Assembly	1	265807	41B	Liner – PV80B	1	185813
13A	Shaft	1	215805		Liner – PV100B		185814
13B	Inboard Rotor	1	205812	51	O-Ring – Seal Cover (FKM)	1	702182
13C	Rotor Cap screws	6	920269		O-Ring – Seal Cover (PTFE)		702363
13D	Outboard Rotor	1	205807	57	Drive Housing	1	835815
13E	Rotating Disc - Inner	1	065801	72	O-Ring – Head (FKM)	2	701991
13F	Rotating Disc - Outer	1	065805		O-Ring – Head (PTFE)		702066
14	Vane – Duravane®	12	094865	73	Plug, ¼" NPT	2	908198
21	Cap screw, Socket Head	13	920038	77	Push Rod – PV80B	6	125815
23	Head Asy. – Outboard	1	035810		Push Rod – PV100B		125818
24	Bearing – Sleeve	1	165808	126	Seal Cover Assembly	1	See Backside
24C	Bearing – Ball	1	903184	188	Bearing Adjuster	1	305809
25A	Alignment Pin	2	930565	189	Bearing Adjuster Set Screw	1	924068
35	Key – Shaft	1	909178				

Keep this parts list with Installation, Operation and Maintenance Instructions.

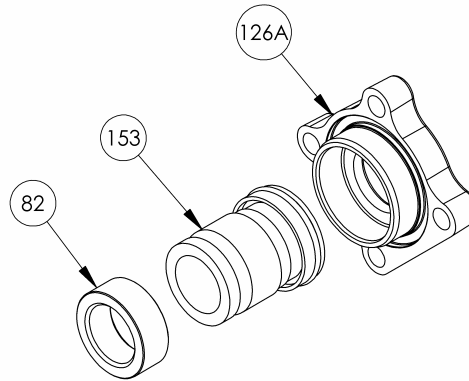
**TYPE 51 MECHANICAL SEAL ASSEMBLY – STANDARD**

Ref. No.	Part Name	Parts Per Pump	Part No.
126A	Seal Cover	1	143103
153	Mechanical Seal, Type 51 (FKM)	1	335805



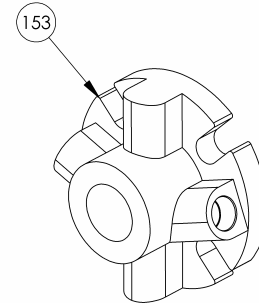
**TYPE 9 MECHANICAL SEAL ASSEMBLY – OPTIONAL**

Ref. No.	Part Name	Parts Per Pump	Part No.
82	Seal Spacer	1	335821
126A	Seal Cover Assembly	1	142210
153	Mechanical Seal, Type 9 (PTFE)	1	335825



**TYPE 8 MECHANICAL SEAL ASSEMBLY – OPTIONAL**

Ref. No.	Part Name	Parts Per Pump	Part No.
82	Seal Spacer	1	335821
126A	Seal Cover	1	143103
153	Mechanical Seal, Type 8 (FKM)	1	335810



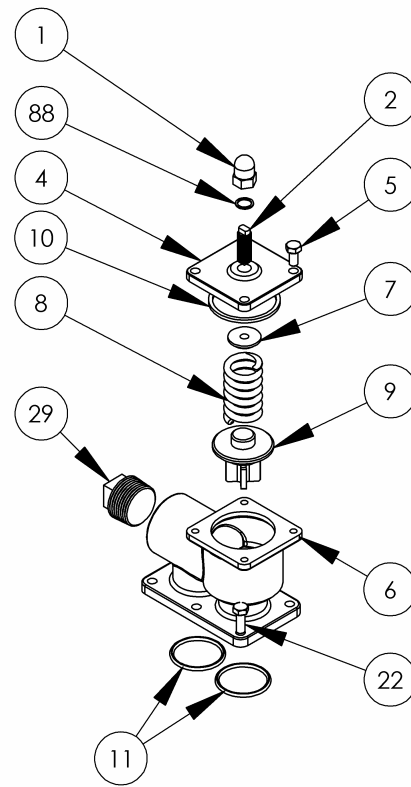
**CARTRIDGE SEAL – OPTIONAL**

Ref. No.	Part Name	Parts Per Pump	Part No.
153	Cartridge Seal – Single FKM	1	335813



### Relief Valve - Optional

Ref. No.	Part Name	Parts Per Pump	Part No.
1	Cap – Relief Valve (R/V)	1	403151
2	Adjusting Screw – R/V	1	433101
4	Cover – R/V	1	411407
5	Cap Screw – R/V Cover	4	920178
6	Body – R/V	1	401405
7	Spring Guide – R/V	1	423955
8	Spring – R/V (25-50 psi)	1	471417
	Spring – R/V (51-75 psi) Std.		471418
	Spring – R/V (76-100 psi)		471427
	Spring – R/V (101-125 psi)		471429
9	Valve – R/V	1	451407
10	O-Ring – R/V Cover (PTFE)	1	711999
	O-Ring – R/V Cover (FKM)		702015
11	O-Ring – R/V Body (PTFE)	2	702110
	O-Ring – R/V Body (FKM)		701962
22	Cap Screw – R/V Body	6	924028
29	Plug (1 ¼")	1	908245
88	Gasket – R/V Cap	1	533101



### C-Face Adapter - Optional

Ref. No.	Part Name	Parts Per Pump	Part No.	
28A	Mounting Screw, Bracket	3	924037	
28C	Screw, Guard	1	920026	
34A	Coupling Half – Motor 213TC, 215TC	1	906004	
			254TC, 256TC	906014
34B	Coupling Spider 213TC – 256TC	1	906010	
34C	Coupling Half – Pump 213TC – 256TC	1	906002	
56	Capscrew, Adapter Ring 182TC, 184TC	4	920471	
			213TC, 215TC	920539
			254TC, 256TC	920555
86	Motor Adapter Ring 213TC, 215TC	1	834038	
			254TC, 256TC	834037
108	Mounting Bracket	1	834090	
108B	Capscrew, Mounting	2	920083	
186	Guard	1	804120	

