

# BLACKMER PARTS LIST

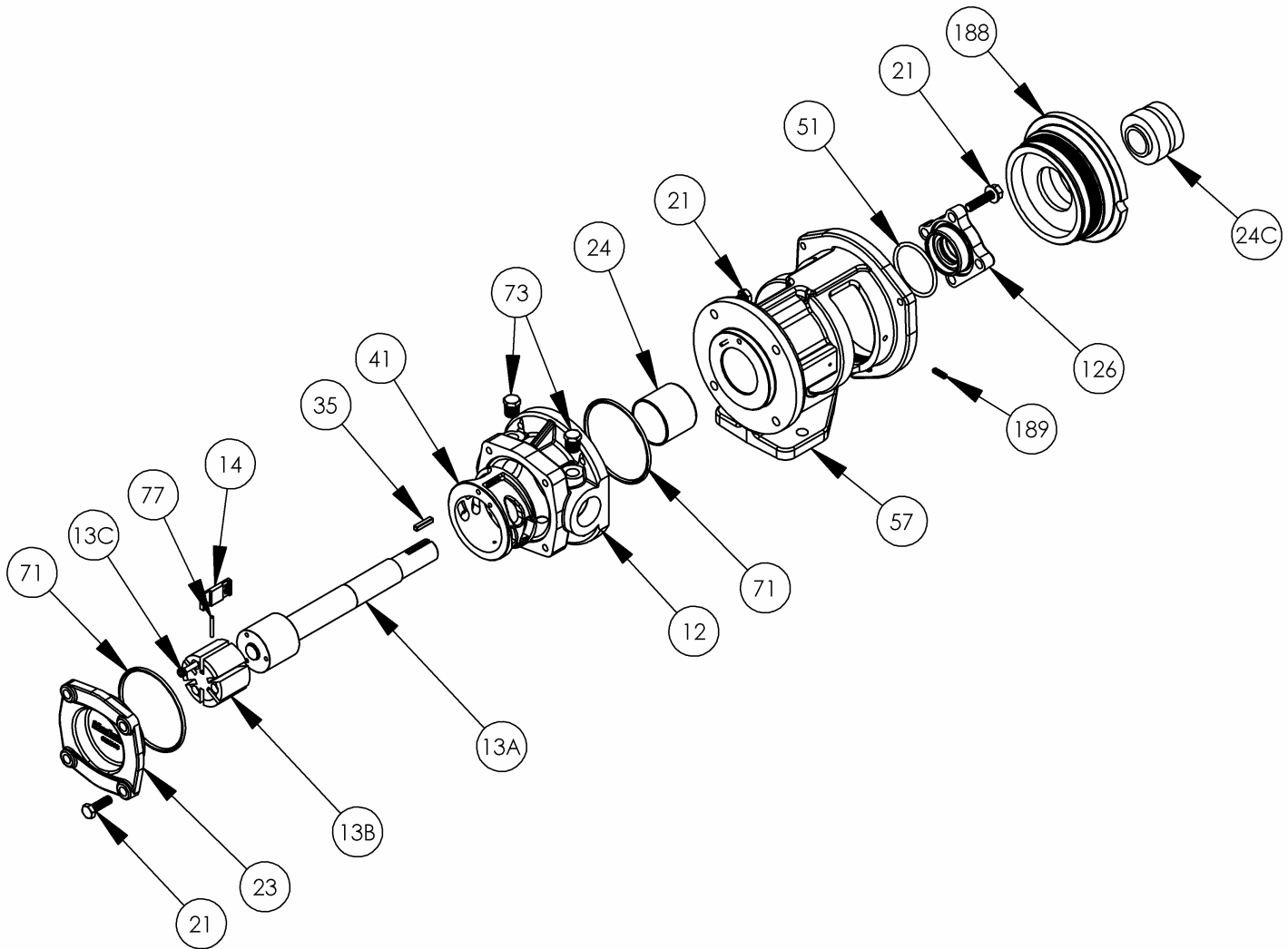
## PUMP MODEL: PV10B, PV15B

See Instructions 111-C00 for Installation, Operation and Maintenance

965823  
Page 1 of 3

**PARTS LIST**  
**111-C01**

Section	111
Effective	Dec 2007
Replaces	Sept 2007

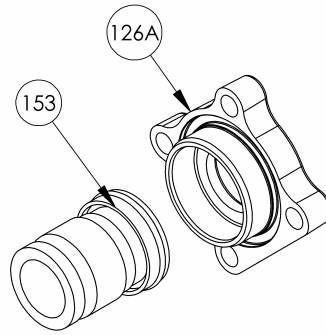


Ref. No.	Description	Parts per Pump	Part No.	Ref. No.	Description	Parts per Pump	Part No.
12	Casing	1	016706	41	Liner – PV10B	1	186705
13	Rotor & Shaft Assembly	1	266705		Liner – PV15B		186706
13A	Shaft	1	216705	51	O-Ring – Seal Cover (FKM)	1	701970
13B	Rotor	1	206705		O-Ring – Seal Cover (PTFE)		702084
13C	Rotor Capscrews	3	920268	57	Drive Housing	1	836706
14	Vane – Duravane®	6	094862	71	O-Ring – Drive Housing (FKM)	2	711959
21	Cap screw, Socket Head	12	920036		O-Ring – Drive Housing (PTFE)		702207
23	Head - Outboard	1	036706	73	Plug – ¼" NPT	2	908198
24	Bearing – Sleeve	1	165810	77	Push Rod – PV10B, Plastic	3	125813
24C	Bearing – Ball	1	903189		Push Rod – PV15B, Plastic		125814
25A	Alignment Pin	1	930523	126	Seal Cover Assembly	1	See Backside
35	Key – Shaft	1	909152	188	Bearing Adjuster	1	306706
				189	Bearing Adjuster Set Screw	1	922023

Keep this parts list with Installation, Operation and Maintenance Instructions.

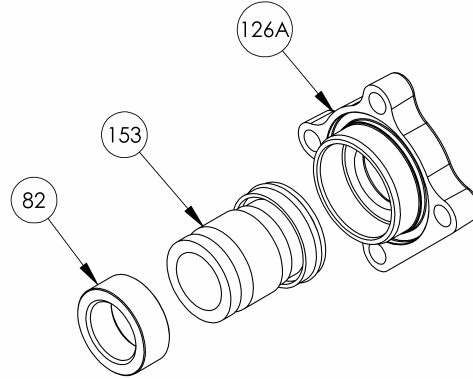
**TYPE 51 MECHANICAL SEAL ASSEMBLY – STANDARD**

Ref. No.	Part Name	Parts Per Pump	Part No.
126A	Seal Cover	1	146706
153	Mechanical Seal, Type 51 (FKM)	1	336705



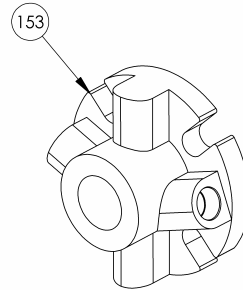
**TYPE 9 MECHANICAL SEAL ASSEMBLY – OPTIONAL**

Ref. No.	Part Name	Parts Per Pump	Part No.
82	Seal Spacer	1	336706
126A	Seal Cover Assembly	1	142208
153	Mechanical Seal, Type 9 (PTFE)	1	335824



**TYPE 8 MECHANICAL SEAL ASSEMBLY - OPTIONAL**

Ref. No.	Part Name	Parts Per Pump	Part No.
82	Seal Spacer	1	336706
126A	Seal Cover	1	146706
153	Mechanical Seal, Type 8 (FKM)	1	336708



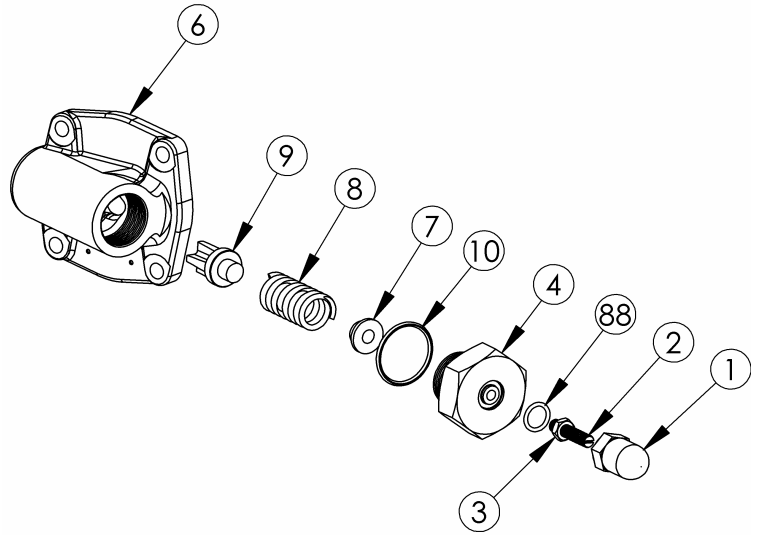
**CARTRIDGE SEAL - OPTIONAL**

Ref. No.	Part Name	Parts Per Pump	Part No.
153	Cartridge Seal (FKM)	1	336711



**RELIEF VALVE - OPTIONAL**

Ref. No.	Part Name	Parts Per Pump	Part No.
1	Cap – Relief Valve (R/V)	1	413205
2	Adjusting Screw – R/V	1	920032
3	Locknut – Adjusting Screw	1	929809
4	R/V Cover	1	413082
6	Body – R/V	1	451426
7	Spring Guide – R/V	1	423962
8	Spring – R/V (35 - 90 PSI)	1	471435
	Spring – R/V (75-125 PSI)		471433
9	Valve – R/V	1	453081
10	O-Ring – R/V Cover (FKM)	1	712001
	O-Ring – R/V Cover (PTFE)		712003
88	O-Ring – R/V Cap (FKM)	1	701908
	O-Ring – R/V Cap (PTFE)		702074



**C-FACE ADAPTER - OPTIONAL**

Ref. No.	Part Name	Parts Per Pump	Part No.
28A	Mounting Screw, Bracket, Socket Head	3	920037
28C	Screw, Guard	1	920026
34A	Coupling Half – Motor 143TC, 145TC	1	906147
	182TC, 184TC		906146
34B	Coupling Spider	1	906155
34C	Coupling Half – Pump	1	906147
56	Capscrew, Adapter Ring 182TC, 184TC	4	920480
86	Motor Adapter Ring 182TC, 184TC	1	832914
108	Mounting Bracket	1	834091
108B	Capscrew, Mounting	4	920199
186	Guard	1	804120

