

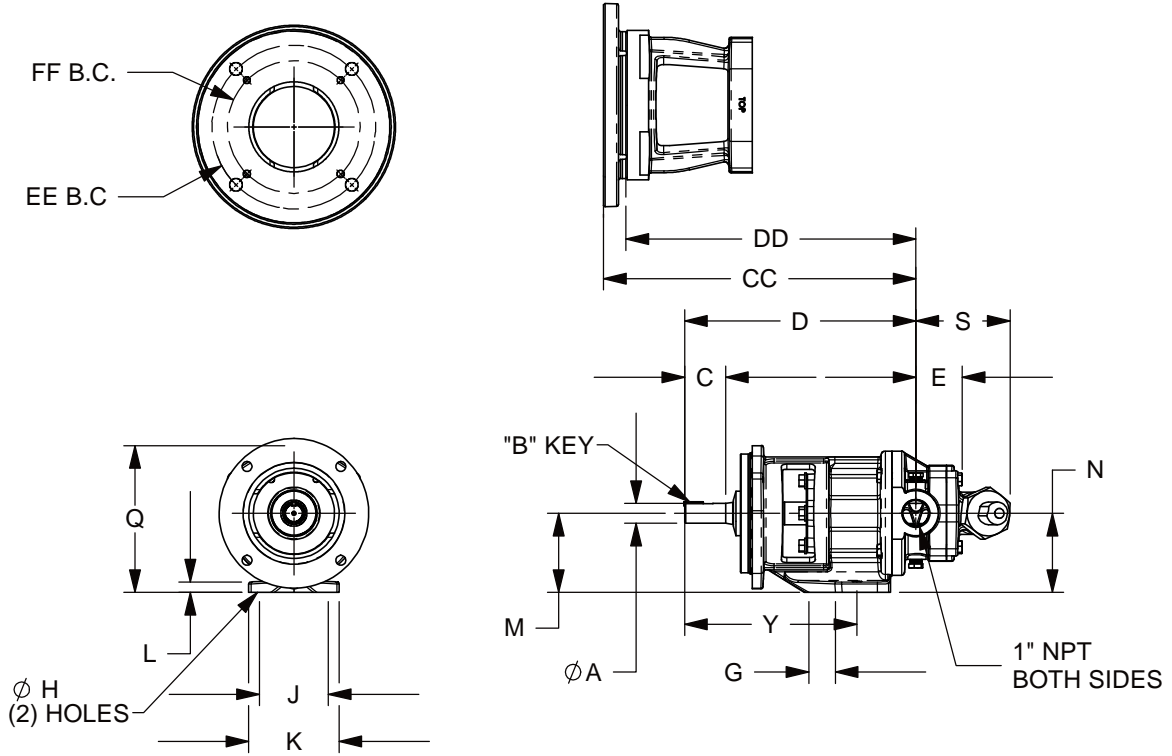


TYPE	SIZE	UNIT STYLE
PV PVS	10B 15B 10A 15A	PO

DIMENSIONS 111-103	
Section Effective Replaces Page 1 / 3	111 JULY 2006 FEBRUARY 2006


**OPTIONAL C-FACE BRACKET
(FITS NEMA 143TC, 145TC)**

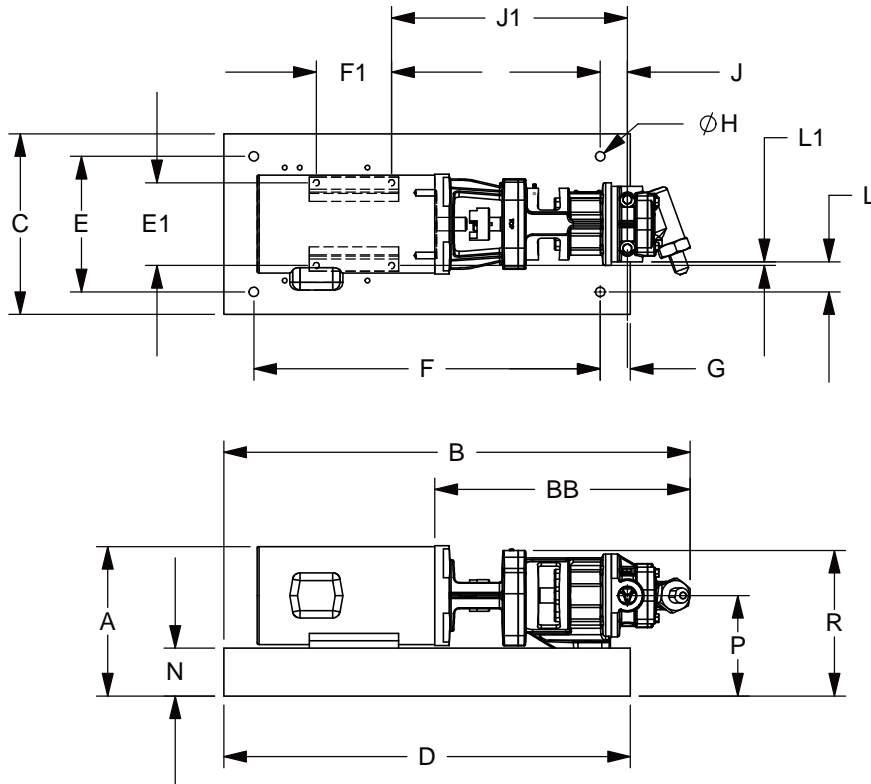
**OPTIONAL C-FACE ADAPTOR RING
(FITS NEMA 182TC, 184TC)**



**RH ROTATION SHOWN
SHOWN WITH OPTIONAL RV**

MOTOR			UNITS	DIMENSIONS									
FRAME SIZE				A	B	C	D	E	F	G	H	J	K
			IN	7/8	1/4	2	10 1/4	2 1/16	—	3 13/16	7/16	3	4
			MM	—	—	50,8	260,4	52,4	—	96,8	11,1	76,2	101,6
				L	M	N	P	Q	R	S	T	U	V
			IN	7/16	3 1/2	3 1/2	—	6 1/2	—	4 3/16	—	2 1/2	—
			MM	11,1	88,9	88,9	—	165,1	—	106,4	—	63,5	—
				W	X	Y	Z	AA	BB	CC	DD	EE	FF
			IN	—	—	7 5/8	—	—	—	13 13/16	12 13/16	7 1/4	5 7/8
			MM	—	—	193,7	—	—	—	350,8	325,4	184,2	149,2
				PUMP WEIGHT									
				LBS		39							
				KG		17,7							

DIMENSIONS 111-103		TYPE	SIZE	UNIT STYLE	
Section Effective Replaces Page 2 / 3	111 JULY 2006 FEBRUARY 2006	PV PVS	10B 15B 10A 15A	DM	



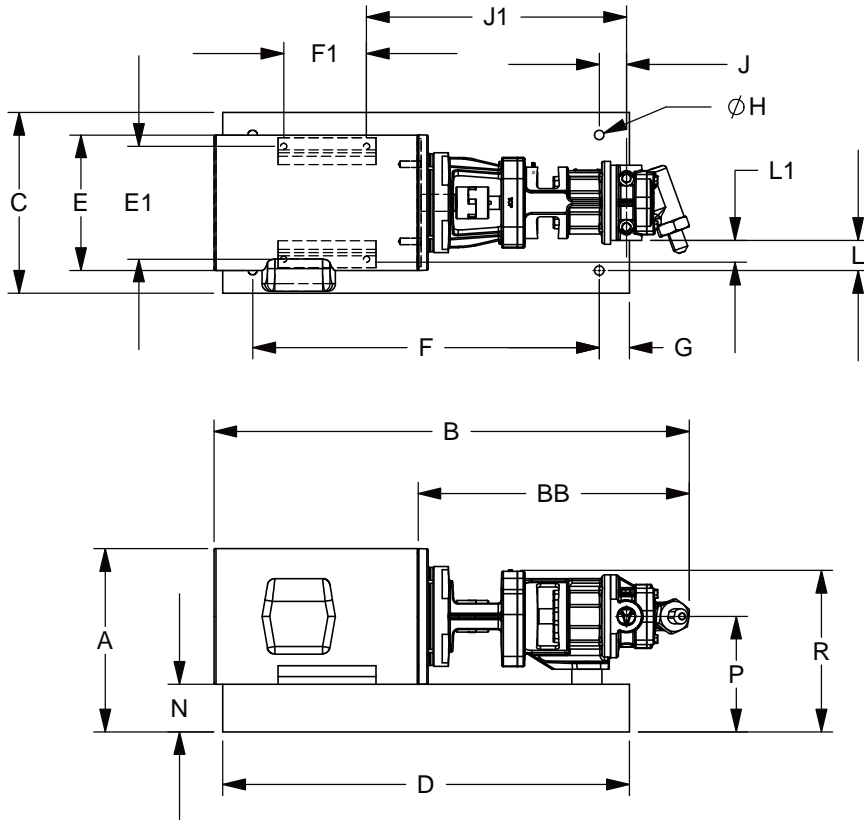
**RH ROTATION SHOWN
FOR LH ROTATION, RV ORIENTATION IS OPPOSITE THAT SHOWN
TOLERANCES ARE ±1/8"**

MOTOR			UNITS	DIMENSIONS									
FRAME SIZE	H.P.	BASE NO.		A	B	C	D	E	E1	F	F1	G	H
143TC 145TC	2	901865	IN	10	31	12	27	9	5 1/2	23	5	2	5/8
			MM	254	787,4	304,8	685,8	228,6	139,7	584,2	127	50,8	15,9
				J	J1	K	L	L1	M	N	P	Q	R
			IN	1 13/16	15 11/16	—	2	1/4	—	3 3/16	6 11/16	—	9 11/16
			MM	46	398,5	—	50,8	6,4	—	81	169,9	—	246,1
				S	T	U	V	W	X	Y	Z	AA	BB
			IN	—	—	—	—	—	—	—	—	—	16 15/16
			MM	—	—	—	—	—	—	—	—	—	430,2
				UNIT WEIGHT (LESS MOTOR)									
				LBS		121							
				KG		55							



TYPE	SIZE	UNIT STYLE
PV PVS	10B 15B 10A 15A	DM

DIMENSIONS 111-103	
Section Effective Replaces Page 3 / 3	111 JULY 2006 FEBRUARY 2006



RH ROTATION SHOWN
 FOR LH ROTATION, RV ORIENTATION IS OPPOSITE THAT SHOWN
 TOLERANCES ARE ±1/8"

MOTOR			UNITS	DIMENSIONS									
FRAME SIZE	H.P.	BASE NO.		A	B	C	D	E	E1	F	F1	G	H
182TC 184TC	5	901865	IN	12 3/16	31 9/16	12	27	9	7 1/2	23	5 1/2	2	5/8
			MM	309,6	801,7	304,8	685,8	228,6	190,5	584,2	139,7	50,8	15,9
				J	J1	K	L	L1	M	N	P	Q	R
			IN	1 1/2	17 1/4	—	2	1/4	—	3 3/16	7 11/16	—	10 11/16
			MM	38,1	438,2	—	50,8	6,4	—	81	193,3	—	281,5
				S	T	U	V	W	X	Y	Z	AA	BB
			IN	—	—	—	—	—	—	—	—	—	18
			MM	—	—	—	—	—	—	—	—	—	457,2
				UNIT WEIGHT (LESS MOTOR)									
				LBS		121							
				KG		55							