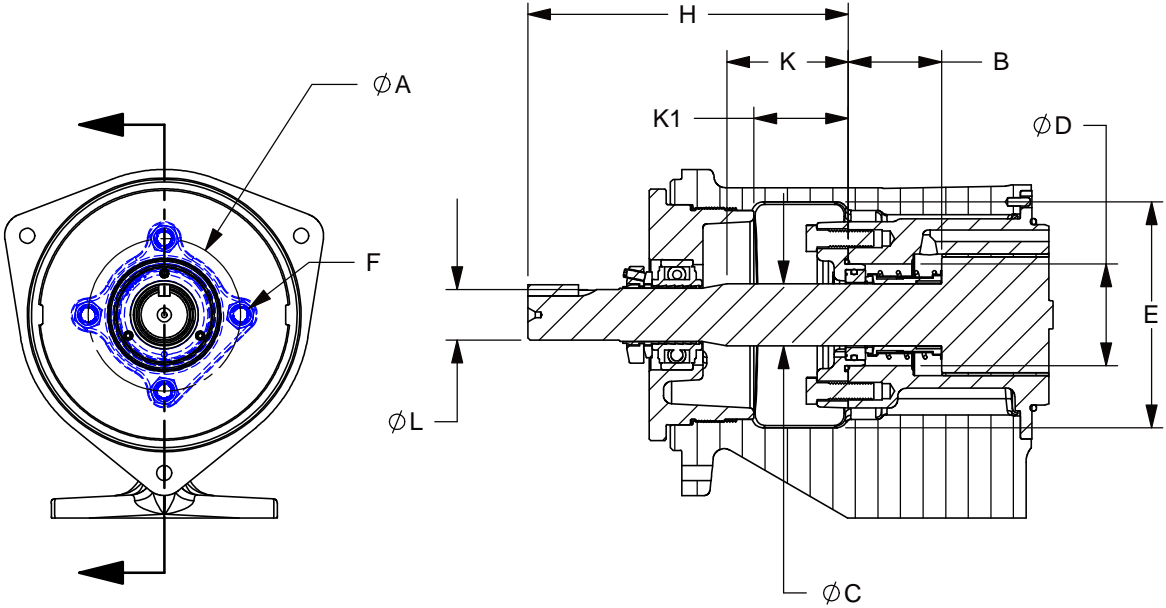




TYPE	SIZE
PV PVS	6 THRU 100

DIMENSIONS 111-121	
Section Effective Replaces Page 1 / 1	111 MAY 2006 NEW

STUFFING BOX DIMENSIONS



PUMP MODEL	UNITS	A	B	C	D	E	F	H	K	K1	L	BORE Ø	
												@ K	@ K1
PV(S) 6/8	IN	---	1.04	0.625	1.875	---	---	2.59	0.90	---	0.625	---	---
	MM	---	26,4	15,9	47,6	---	---	65,8	22,9	---	15,9	---	---
PV(S) 10/15	IN	2.875	1.94	1.000	1.875	3.93	---	5.95	3.82	1.61	1.000	3.50	3.95
	MM	73,0	49,3	25,4	47,6	99,8	M8x1.25	151,1	97,0	40,9	25,4	88,9	100,3
PV(S) 20-100	IN	3.375	1.97	1.375	2.250	5.00	---	7.19	2.78	2.19	1.375	4.13	5.00
	MM	85,7	50,0	34,9	57,2	127,0	M10x1.50	182,6	70,6	55,6	34,9	104,9	127