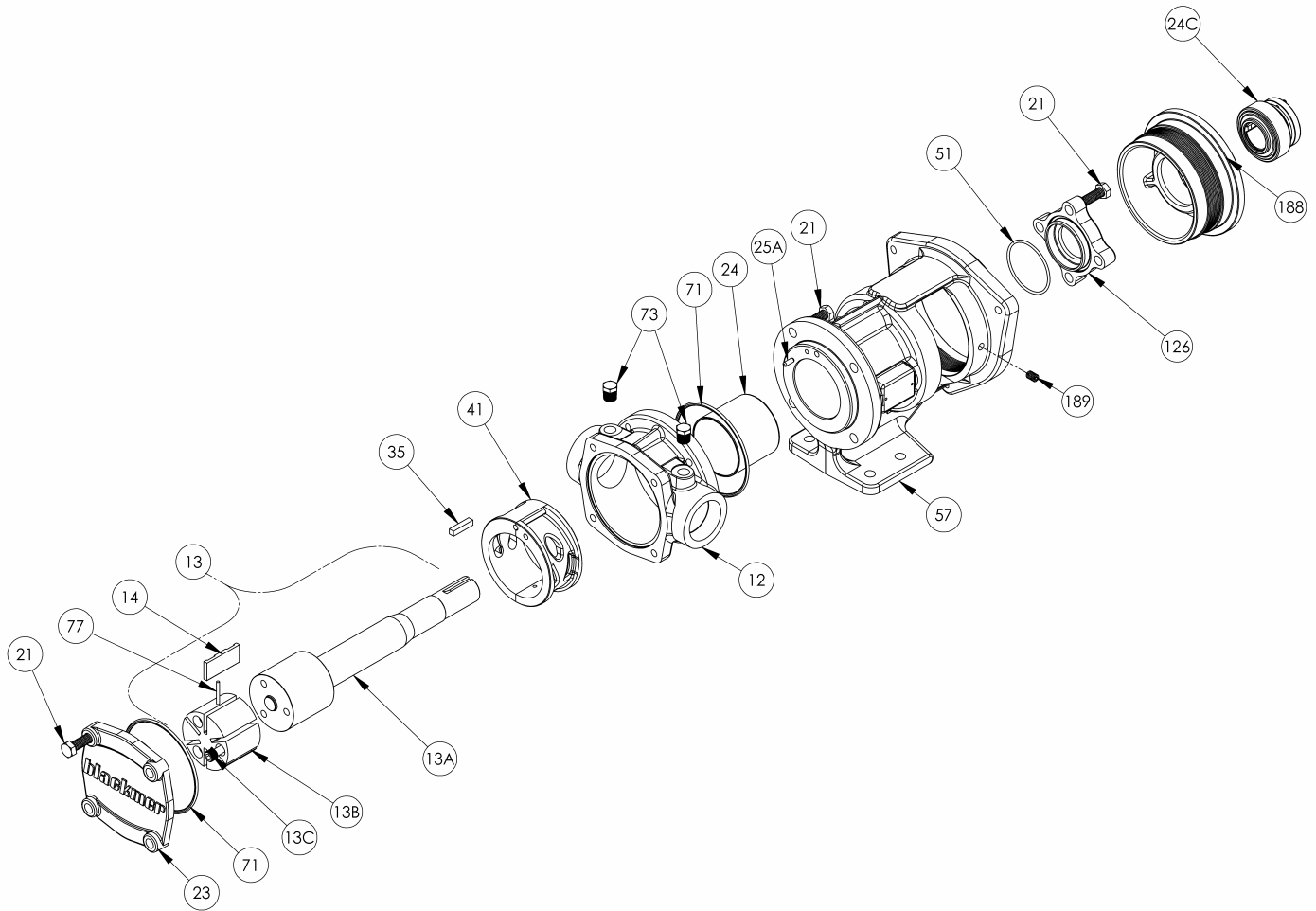


BLACKMER PARTS LIST

PUMP MODEL: PV20B, PV30B

See Instructions 111-C00 for Installation, Operation and Maintenance

Section	111
Effective	Dec 2007
Replaces	Sept 2007

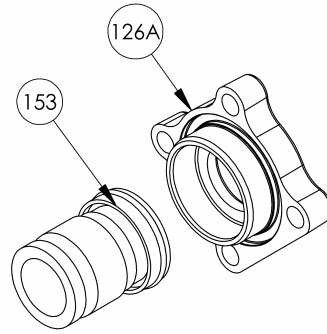


Ref. No.	Description	Parts per Pump	Part No.	Ref. No.	Description	Parts per Pump	Part No.
12	Casing	1	015813	51	O-Ring – Seal Cover (FKM)	1	702182
13	Rotor & Shaft Assembly	1	265805		O-Ring – Seal Cover (PTFE)		702363
13A	Shaft	1	215805	57	Drive Housing	1	835813
13B	Rotor	1	205805	71	O-Ring – Head (FKM)	2	701991
13C	Rotor Capscrews	3	920270		O-Ring – Head (PTFE)		702066
14	Vane – Duravane®	6	094864	73	Plug – ¼" NPT	2	908198
21	Cap screw, Socket Head	12	920038	77	Push Rod – PV20B	3	125815
23	Head	1	035809		Push Rod – PV30B		125816
24	Bearing – Sleeve	1	165808	126	Seal Cover Assembly	1	See Backside
24C	Bearing – Ball	1	903184	188	Bearing Adjuster	1	305809
25A	Alignment Pin	1	930565	189	Bearing Adjuster Set Screw	1	924068
35	Key, Shaft	1	909178				
41	Liner – PV20B	1	185806				
	Liner – PV30B		185805				

Keep this parts list with Installation, Operation and Maintenance Instructions.

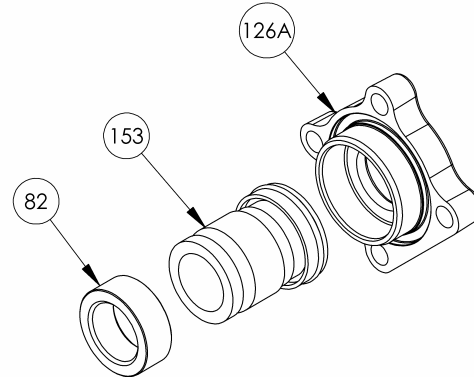
TYPE 51 MECHANICAL SEAL ASSEMBLY – STANDARD

Ref. No.	Part Name	Parts Per Pump	Part No.
126A	Seal Cover	1	143103
153	Mechanical Seal, Type 51 (FKM)	1	335805



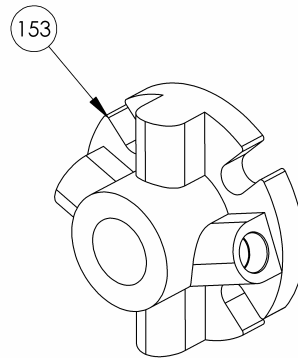
TYPE 9 MECHANICAL SEAL ASSEMBLY – OPTIONAL

Ref. No.	Part Name	Parts Per Pump	Part No.
82	Seal Spacer	1	335821
126A	Seal Cover Assembly	1	142210
153	Mechanical Seal, Type 9 (PTFE)	1	335825



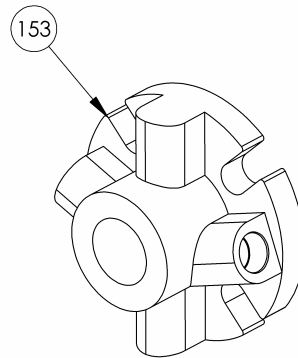
TYPE 8 MECHANICAL SEAL ASSEMBLY - OPTIONAL

Ref. No.	Part Name	Parts Per Pump	Part No.
82	Seal Spacer	1	335821
126A	Seal Cover	1	143103
153	Mechanical Seal, Type 8 (FKM)	1	335810



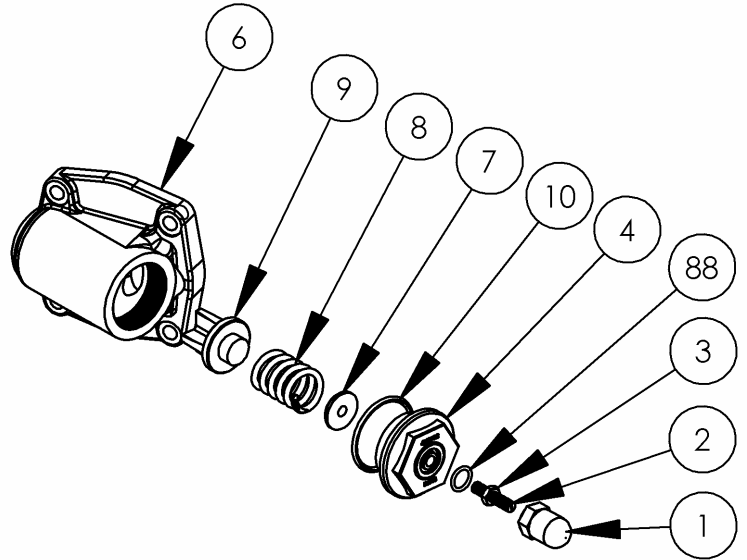
CARTRIDGE SEAL - OPTIONAL

Ref. No.	Part Name	Parts Per Pump	Part No.
153	Cartridge Seal – Single FKM	1	335813



RELIEF VALVE - OPTIONAL

Ref. No.	Part Name	Parts Per Pump	Part No.
1	Cap – Relief Valve (R/V)	1	413205
2	Adjusting Screw – R/V	1	920032
3	Locknut – Adjusting Screw	1	929809
4	R/V Cover	1	413083
6	Body – R/V	1	451424
7	Spring Guide – R/V	1	423955
8	Spring – R/V (35 – 90 PSI)	1	471436
	Spring – R/V (75 – 125 PSI)		471428
9	Valve – R/V	1	453804
10	O-Ring – R/V Cover (FKM)	1	701970
	O-Ring – R/V Cover (PTFE)		702084
88	O-Ring – R/V Cap (FKM)	1	701908
	O-Ring – R/V Cap (PTFE)		702074



C-FACE ADAPTER - OPTIONAL

Ref. No.	Part Name	Parts Per Pump	Part No.
28A	Mounting Screw, Bracket	3	924037
28C	Screw, Guard	1	920026
34A	Coupling Half – Motor	1	906146
	182TC, 184TC		906004
	213TC, 215TC		906014
34B	Coupling Spider	1	906155
	182TC, 184TC		906010
34C	Coupling Half – Pump	1	906146
	213TC – 256TC		906002
56	Capscrew, Adapter Ring	4	920471
	182TC, 184TC		920539
	213TC, 215TC		920555
86	Motor Adapter Ring	1	834038
	213TC, 215TC		834037
108	Mounting Bracket	1	834090
108B	Capscrew, Mounting	2	920083
186	Guard	1	804120

