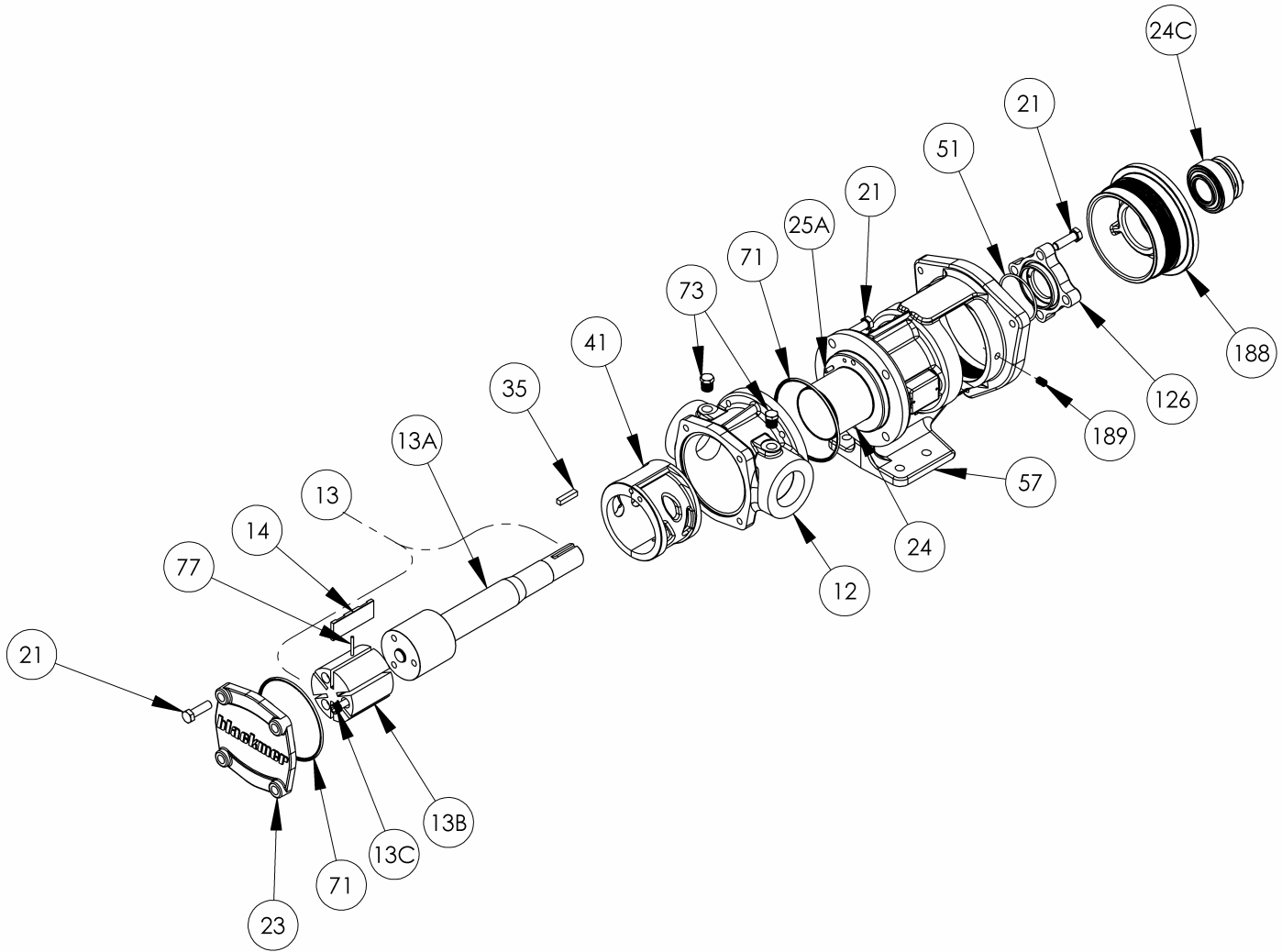


BLACKMER PARTS LIST

PUMP MODEL: PV40B, PV50B

See Instructions 111-C00 for Installation, Operation and Maintenance

Section	111
Effective	Dec 2007
Replaces	Nov 2007

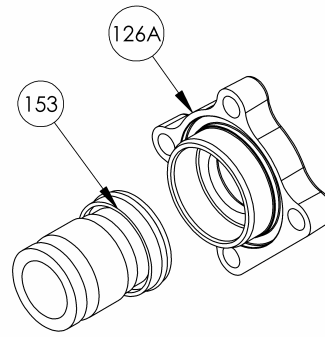


Ref. No.	Description	Parts per Pump	Part No.	Ref. No.	Description	Parts per Pump	Part No.
12	Casing	1	015814	51	O-Ring – Seal Cover (FKM)	1	702182
13	Rotor & Shaft Assembly	1	265806		O-Ring – Seal Cover (PTFE)		702363
13A	Shaft	1	215805	57	Drive Housing	1	835813
13B	Rotor	1	205806	71	O-Ring – Head (FKM)	2	701991
13C	Rotor Capscrews	3	920269		O-Ring – Head (PTFE)		702066
14	Vane – Duravane®	6	094865	73	Plug – ¼" NPT	2	908198
21	Cap screw, Socket Head	12	920038	77	Push Rod – PV40B	3	125815
23	Head	1	035809		Push Rod – PV50B		125818
24	Bearing – Sleeve	1	165808	126	Seal Cover Assembly	1	See Backside
24C	Bearing – Ball	1	903184	188	Bearing Adjuster	1	305809
25A	Alignment Pin	1	930565	189	Bearing Adjuster Set Screw	1	924068
35	Key, Shaft	1	909178				
41	Liner – PV40B	1	185807				
	Liner – PV50B		185808				

Keep this parts list with Installation, Operation and Maintenance Instructions.

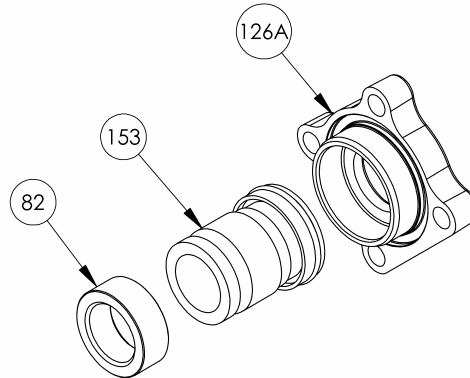
TYPE 51 MECHANICAL SEAL ASSEMBLY - STANDARD

Ref. No.	Part Name	Parts Per Pump	Part No.
126A	Seal Cover	1	143103
153	Mechanical Seal, Type 51 (FKM)	1	335805



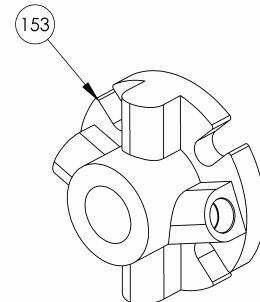
TYPE 9 MECHANICAL SEAL ASSEMBLY – OPTIONAL

Ref. No.	Part Name	Parts Per Pump	Part No.
82	Seal Spacer	1	335821
126A	Seal Cover Assembly	1	142210
153	Mechanical Seal, Type 9 (PTFE)	1	335825



TYPE 8 MECHANICAL SEAL ASSEMBLY - OPTIONAL

Ref. No.	Part Name	Parts Per Pump	Part No.
82	Seal Spacer	1	335821
126A	Seal Cover	1	143103
153	Mechanical Seal, Type 8 (FKM)	1	335810



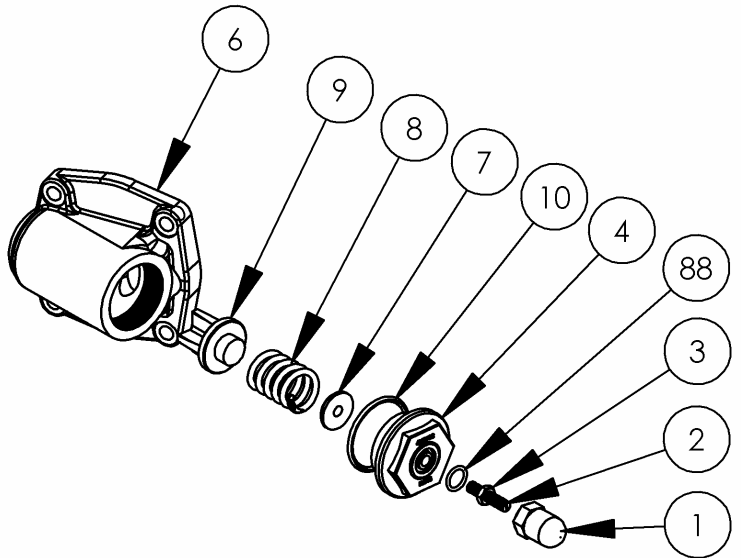
CARTRIDGE SEAL - OPTIONAL

Ref. No.	Part Name	Parts Per Pump	Part No.
153	Cartridge Seal – Single FKM	1	335813



RELIEF VALVE - OPTIONAL

Ref. No.	Part Name	Parts Per Pump	Part No.
1	Cap – Relief Valve (R/V)	1	413205
2	Adjusting Screw – R/V	1	924069
3	Locknut – Adjusting Screw	1	929809
4	R/V Cover	1	413083
6	Body – R/V	1	451424
7	Spring Guide – R/V	1	423955
8	Spring – R/V (35 – 90 PSI)	1	471436
	Spring – R/V (75 – 125 PSI)		471428
9	Valve – R/V	1	453804
10	O-Ring – R/V Cover (FKM)	1	701970
	O-Ring – R/V Cover (PTFE)		702084
88	O-Ring – R/V Cap (FKM)	1	701908
	O-Ring – R/V Cap (PTFE)		702074



C-FACE ADAPTER - OPTIONAL

Ref. No.	Part Name	Parts Per Pump	Part No.
28A	Mounting Screw, Bracket	3	924037
28C	Screw, Guard	1	920026
34A	Coupling Half – Motor 182TC, 184TC 213TC, 215TC 254TC, 256TC	1	906146 906004 906014
34B	Coupling Spider 182TC, 184TC 213TC – 256TC	1	906155 906010
34C	Coupling Half – Pump 182TC, 184TC 213TC – 256TC	1	906146 906002
56	Capscrew, Adapter Ring 182TC, 184TC 213TC, 215TC 254TC, 256TC	4	920471 920539 920555
86	Motor Adapter Ring 213TC, 215TC 254TC, 256TC	1	834038 834037
108	Mounting Bracket	1	834090
108B	Capscrew, Mounting	2	920083
186	Guard	1	804120

