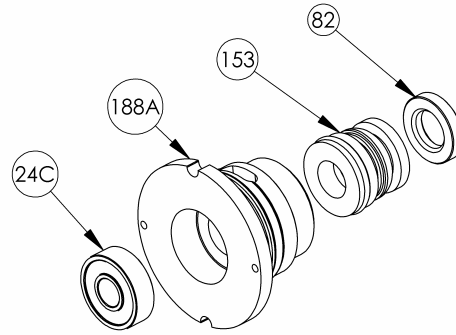


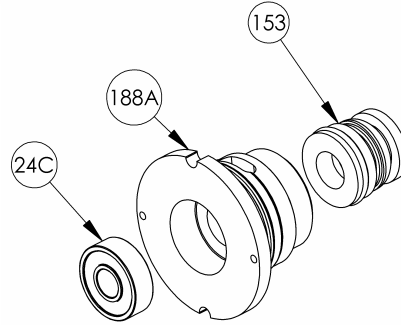
TYPE 16 MECHANICAL SEAL ASSEMBLY – STANDARD

Ref. No.	Part Name	Parts Per Pump	Part No.
24C	Bearing - Ball	1	903188
82	Seal Spacer	1	336806
153	Mechanical Seal, Type 16 (FKM)	1	336805
188A	Bearing Adjuster	1	306805



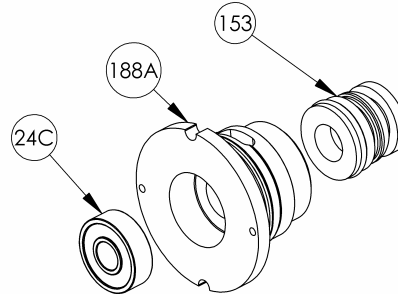
TYPE 9 MECHANICAL SEAL ASSEMBLY – OPTIONAL

Ref. No.	Part Name	Parts Per Pump	Part No.
24C	Bearing - Ball	1	903188
153	Mechanical Seal, Type 9 (PTFE)	1	335823
188A	Bearing Adjuster Assembly	1	142206



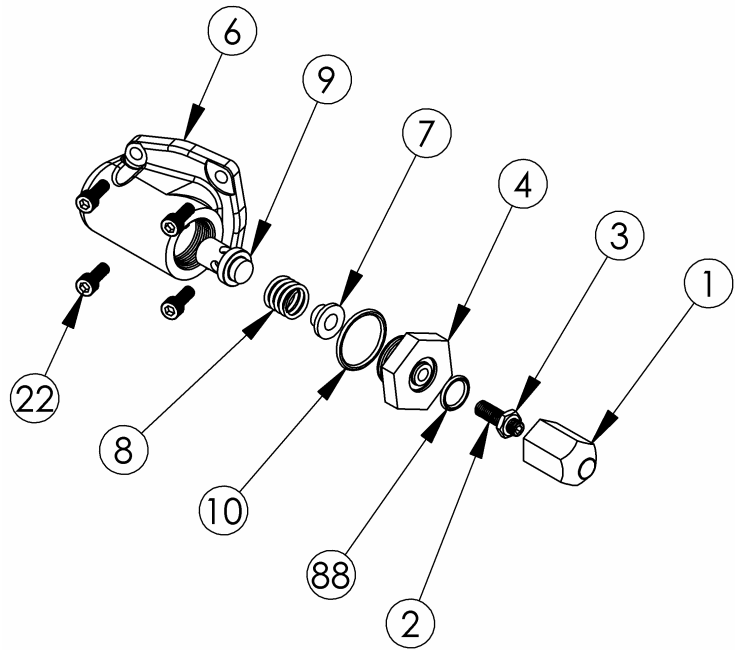
TYPE 8 MECHANICAL SEAL ASSEMBLY – OPTIONAL

Ref. No.	Part Name	Parts Per Pump	Part No.
24C	Bearing - Ball	1	903188
153	Mechanical Seal, Type 8 (FKM)	1	336808
188A	Bearing Adjuster	1	306805



RELIEF VALVE – OPTIONAL

Ref. No.	Part Name	Parts Per Pump	Part No.
1	Cap – Relief Valve (R/V)	1	413205
2	Adjusting Screw – R/V	1	920032
3	Locknut – Adjusting Screw	1	920029
4	R/V Cover	1	413081
6	Body – R/V	1	451425
7	Spring Guide – R/V	1	423961
8	Spring – R/V (35 - 90 psi)	1	471434
	Spring – R/V (75 - 125 psi)		471432
9	Valve – R/V	1	453080
10	O-Ring – R/V Cover (FKM)	1	712000
	O-Ring – R/V Cover (PTFE)		702362
22	Capscrews – R/V Body	4	920031
88	O-Ring – R/V Cap (FKM)	1	701908
	O-Ring – R/V Cap (PTFE)		702074



C-FACE ADAPTER - OPTIONAL

Ref. No.	Part Name	Parts Per Pump	Part No.
28A	Mounting Screw, Bracket	2	920031
28C	Screw, Guard	1	920026
34A	Coupling Half – Motor 56C	1	906131
			143TC, 145TC
34B	Coupling Spider	1	906013
34C	Coupling Half – Pump	1	906132
108	Mounting Bracket	1	834092
186	Guard	1	804120

