

BLACKMER PARTS LIST

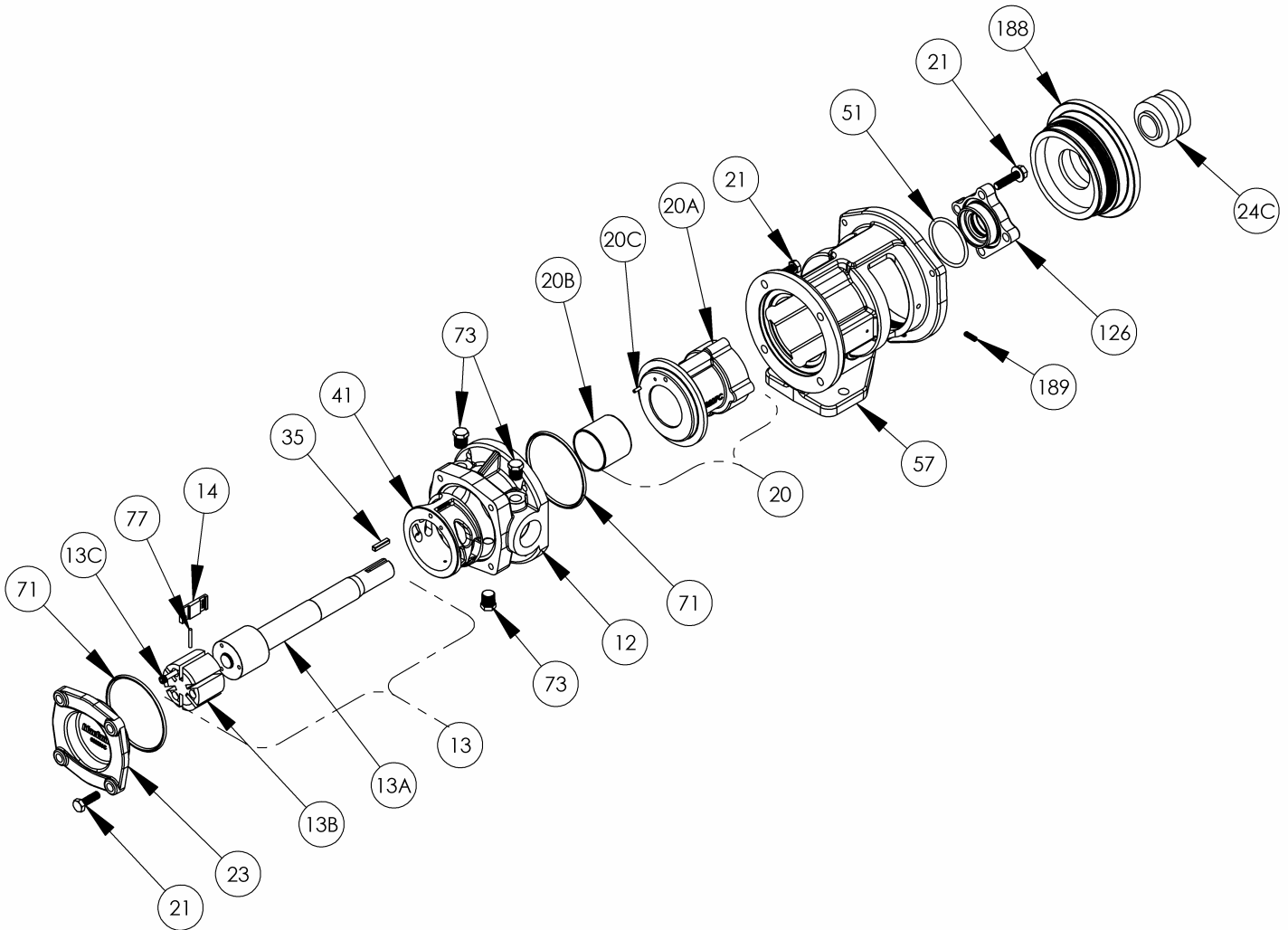
PUMP MODEL: PVS10A, PVS15A

(See Instructions 111-G00 for Installation, Operation and Maintenance)

965831
Page 1 of 3

PARTS LIST
111-G01

Section	111
Effective	Dec 2007
Replaces	April 2007

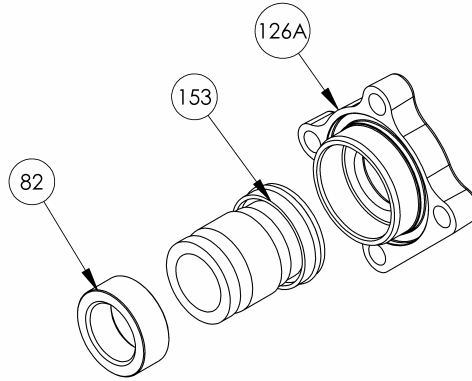


Ref. No.	Description	Parts per Pump	Part No.	Ref. No.	Description	Parts per Pump	Part No.
12	Casing	1	012201	41	Liner – PVS10A	1	182207
13	Rotor & Shaft Asy.	1	262228		Liner – PVS15A		182208
13A	Shaft	1	212230	51	O-Ring – Seal Cover (PTFE)	1	702084
13B	Rotor	1	202203		O-Ring – Seal Cover (FKM)		701970
13C	Rotor Cap screws	3	920284	57	Drive Housing	1	835810
14	Vane – Duravane®	6	094862	71	O-Ring – Drive Housing (PTFE)	2	702207
20	Assembly, Inboard Head	1	032208		O-Ring – Drive Housing (FKM)		711959
20A	Head, Inboard	1	032207	73	Plug – ¼" NPT	3	908192
20B	Bearing, Sleeve	1	165810	77	Push Rod – PVS10A -Plastic	3	125813
20C	Alignment Pin	1	930533		Push Rod – PVS15A -Plastic		125814
21	Cap screw, Socket Head	12	920039	126	Seal Cover Assembly	1	See Backside
23	Head, Outboard	1	032206	188	Bearing Adjuster	1	306706
24C	Bearing – Ball	1	903189	189	Bearing Adjuster Set Screw	1	922023
35	Key – Shaft	1	909152				

Keep this parts list with Installation, Operation and Maintenance Instructions.

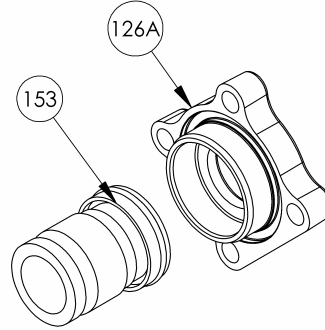
TYPE 9 MECHANICAL SEAL ASSEMBLY

Ref. No.	Part Name	Parts Per Pump	Part No.
82	Seal Spacer	1	336706
126A	Seal Cover Assembly	1	142209
153	Mechanical Seal, Type 9 (PTFE)	1	335824



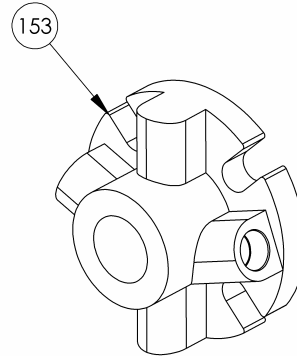
TYPE 51 MECHANICAL SEAL ASSEMBLY

Ref. No.	Part Name	Parts Per Pump	Part No.
126A	Seal Cover	1	142205
153	Mechanical Seal, Type 51 (FKM)	1	336705



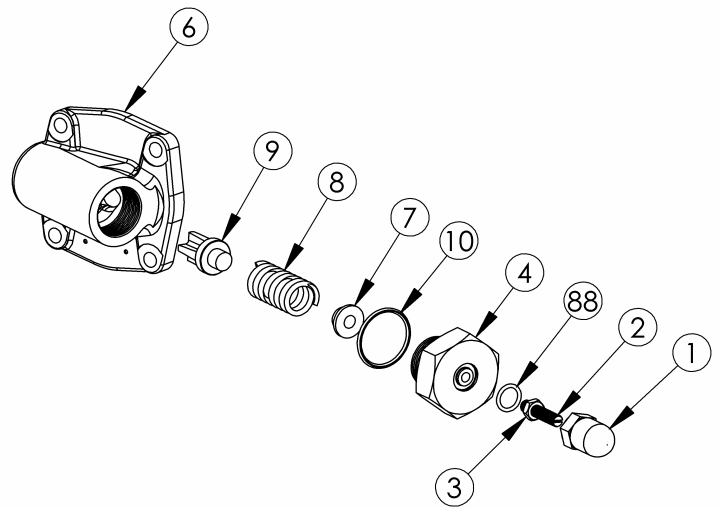
CARTRIDGE SEAL - OPTIONAL

Ref. No.	Part Name	Parts Per Pump	Part No.
153	Cartridge Seal (FKM)	1	336711



RELIEF VALVE - OPTIONAL

Ref. No.	Part Name	Parts Per Pump	Part No.
1	Cap – Relief Valve (R/V)	1	411422
2	Adjusting Screw – R/V	1	922051
3	Locknut – Adjusting Screw	1	929809
4	R/V Cover	1	411420
6	Body – R/V	1	401410
7	Spring Guide – R/V	1	421420
8	Spring – R/V (35 - 90 PSI)	1	471435
	Spring – R/V (75 - 125 PSI)		471440
9	Valve – R/V	1	451432
10	O-Ring – R/V Cover (FKM)	1	712001
	O-Ring – R/V Cover (PTFE)		712003
88	O-Ring – R/V Cap (FKM)	1	701908
	O-Ring – R/V Cap (PTFE)		702074



C-FACE ADAPTOR - OPTIONAL

Ref. No.	Part Name	Parts Per Pump	Part No.
28A	Mounting Screw, Bracket, Socket Head	3	920037
28C	Screw, Guard	1	920026
34A	Coupling Half – Motor 143TC, 145TC	1	906147
	182TC, 184TC		906146
34B	Coupling Spider	1	906155
34C	Coupling Half – Pump	1	906147
56	Capscrew, Adaptor Ring Mounting (182TC, 184TC)	4	920480
86	Motor Adaptor Ring 182TC, 184TC	1	832914
108	Mounting Bracket	1	834091
108B	Capscrew, Mounting	4	920329
186	Guard	1	804120

