

BLACKMER PARTS LIST

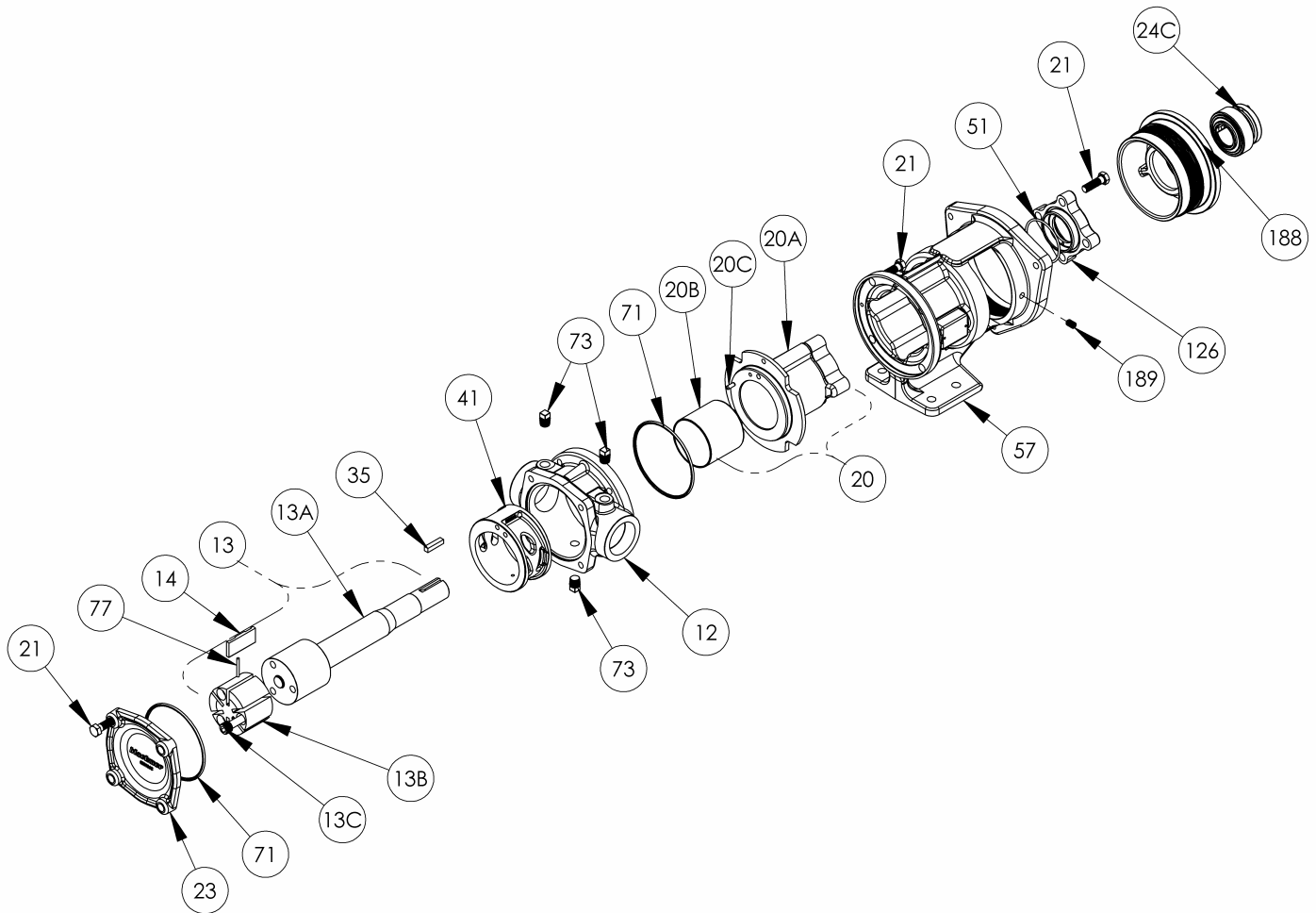
PUMP MODELS: PVS20A, PVS30A

(See Instructions 111-G00 for Installation, Operation and Maintenance)

965832
Page 1 of 3

PARTS LIST
111-G02

Section	111
Effective	Dec 2007
Replaces	Jan 2007

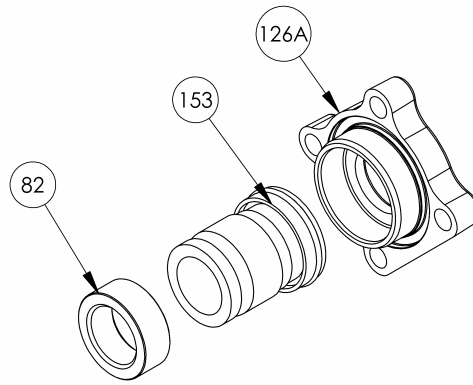


Ref. No.	Description	Parts per Pump	Part No.	Ref. No.	Description	Parts per Pump	Part No.		
12	Casing	1	013101	41	Liner – PVS20A	1	183101		
13	Rotor & Shaft Asy	1	263102		Liner – PVS30A		183102		
13A	Shaft	1	213101	51	O-Ring – Seal Cover (PTFE)	1	702363		
13B	Rotor	1	203101		O-Ring – Seal Cover (FKM)		702182		
13C	Rotor Capscrew	3	920265	57	Drive Housing	1	835811		
14	Vane, Duravane®	6	094864	71	O-Ring – Head (PTFE)	2	702066		
20	Assembly, Inboard Head	1	032209		O-Ring – Head (FKM)		701991		
20A	Head, Inboard	1	033107	73	Plug – ¼" NPT	3	908193		
20B	Bearing, Sleeve	1	165808		77		Push Rod – PVS20A – Plastic	3	125815
20C	Alignment Pin	1	930565				Push Rod – PVS30A – Plastic		125816
21	Capscrew, Socket Head	12	920040	126	Seal Cover Assembly	1	See Backside		
23	Head, Outboard	1	033106	188	Bearing Adjuster	1	305809		
24C	Bearing, Ball	1	903184	189	Bearing Adjuster Set Screw	1	924068		
35	Key, Shaft	1	909178						

Keep this parts list with Installation, Operation and Maintenance Instructions.

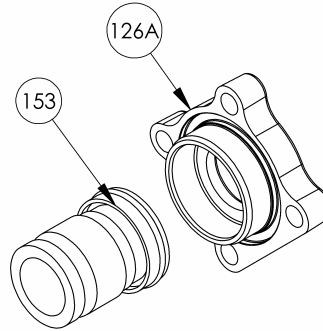
TYPE 9 MECHANICAL SEAL ASSEMBLY

Ref. No.	Part Name	Parts Per Pump	Part No.
82	Seal Spacer	1	335821
126A	Seal Cover Assembly	1	142211
153	Mechanical Seal, Type 9 (PTFE)	1	335825



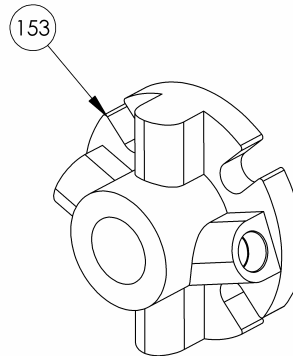
TYPE 51 MECHANICAL SEAL ASSEMBLY

Ref. No.	Part Name	Parts Per Pump	Part No.
126A	Seal Cover	1	143102
153	Mechanical Seal, Type 51 (FKM)	1	335805



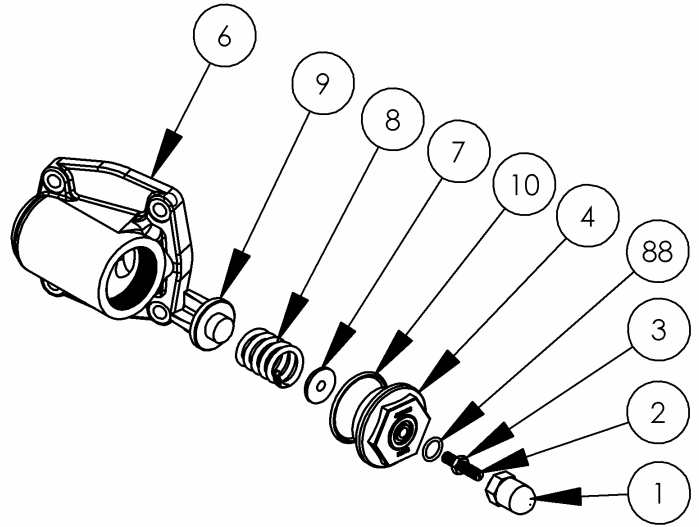
CARTRIDGE SEAL

Ref. No.	Part Name	Parts Per Pump	Part No.
153	Cartridge Seal (FKM)	1	335813



RELIEF VALVE - OPTIONAL

Ref. No.	Part Name	Parts Per Pump	Part No.
1	Cap – Relief Valve (R/V)	1	411422
2	Adjusting Screw – R/V	1	924070
3	Locknut – Adjusting Screw	1	929809
4	R/V Cover	1	401407
6	Body – R/V	1	403918
7	Spring Guide – R/V	1	423101
8	Spring – R/V (35 – 90 PSI)	1	471436
	Spring – R/V (75 – 125 PSI)		471429
9	Valve – R/V	1	453944
10	O-Ring – R/V Cover (PTFE)	1	702084
	O-Ring – R/V Cover (FKM)		701970
88	O-Ring – R/V Cap (PTFE)	1	702074
	O-Ring – R/V Cap (FKM)		701908



C-FACE ADAPTOR - OPTIONAL

Ref. No.	Part Name	Parts Per Pump	Part No.
28A	Mounting Screw, Bracket	3	924037
28C	Screw, Guard	1	920026
34A	Coupling Half – Motor	1	182TC, 184TC
	213TC, 215TC		906004
	254TC, 256TC		906014
34B	Coupling Spider	1	182TC, 184TC
	213TC – 256TC		906010
34C	Coupling Half – Pump	1	182TC, 184TC
	213TC – 256TC		906002
56	Capscrew, Adaptor Ring	4	182TC, 184TC
	213TC, 215TC		920539
	254TC, 256TC		920555
86	Motor Adaptor Ring	1	213TC, 215TC
	254TC, 256TC		834037
108	Mounting Bracket	1	834090
108B	Capscrew, Mounting	2	920083
186	Guard	1	804120

