

# BLACKMER PARTS LIST

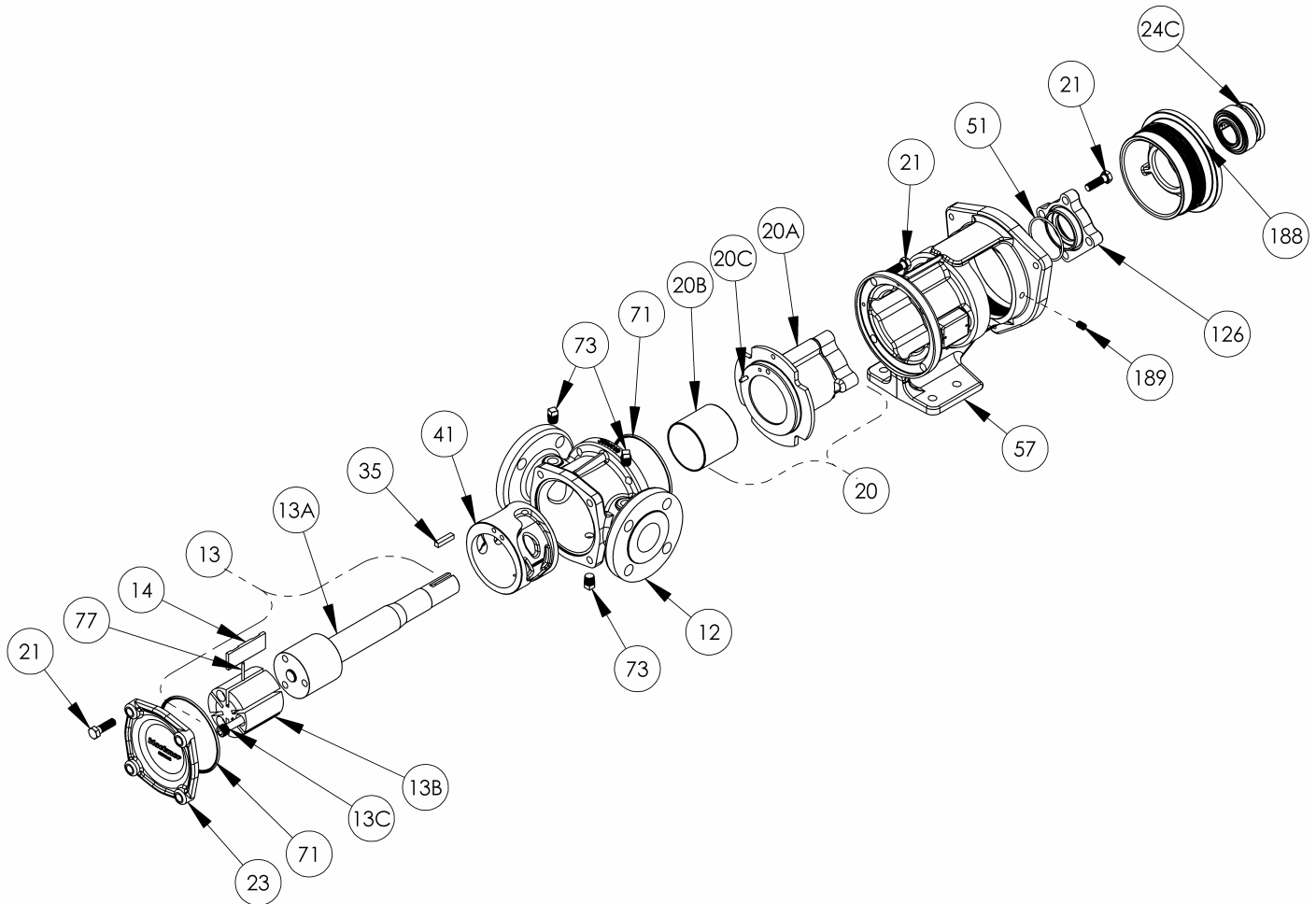
## PUMP MODELS: PVS40A, PVS50A

(See Instructions 111-G00 for Installation, Operation and Maintenance)

965833  
Page 1 of 3

**PARTS LIST**  
**111-G03**

Section	111
Effective	Dec 2007
Replaces	Jan 2007

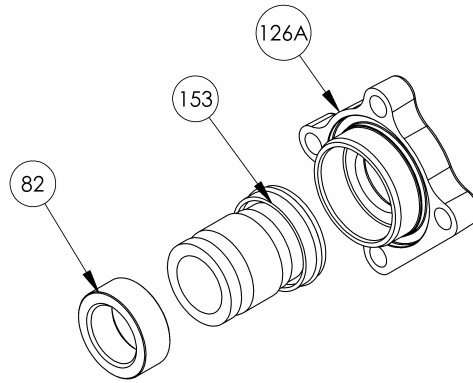


Ref. No.	Description	Parts per Pump	Part No.	Ref. No.	Description	Parts per Pump	Part No.
12	Casing	1	013102	41	Liner – PVS40A	1	183103
13	Rotor & Shaft Asy	1	263103		Liner – PVS50A		183104
13A	Shaft	1	213101	51	O-Ring – Seal Cover (PTFE)	1	702363
13B	Rotor	1	203102		O-Ring – Seal Cover (FKM)		702182
13C	Rotor Cap screws	3	920429	57	Drive Housing	1	835811
14	Vane, Duravane®	6	094865	71	O-Ring – Head (PTFE)	2	702066
20	Assembly, Inboard Head	1	032209		O-Ring – Head (FKM)		701991
20A	Head, Inboard	1	033107	73	Plug – ¼" NPT	3	908193
20B	Bearing, Sleeve	1	165808	77	Push Rod – PVS40A – Plastic	3	125815
20C	Alignment Pin	1	930565		Push Rod – PVS50A – Plastic		125818
21	Capscrew, Socket Head	12	920040	126	Seal Cover Assembly	1	See Backside
23	Head, Outboard	1	033106	188	Bearing Adjuster	1	305809
24C	Bearing, Ball	1	903184	189	Bearing Adjuster Set Screw	1	924068
35	Key, Shaft	1	909178				

Keep this parts list with Installation, Operation and Maintenance Instructions.

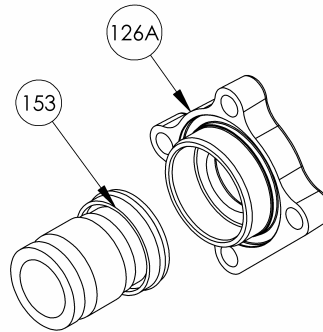
**TYPE 9 MECHANICAL SEAL ASSEMBLY**

Ref. No.	Part Name	Parts Per Pump	Part No.
82	Seal Spacer	1	335821
126A	Seal Cover Assembly	1	142211
153	Mechanical Seal, Type 9 (PTFE)	1	335825



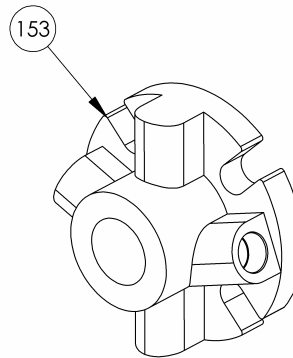
**TYPE 51 MECHANICAL SEAL ASSEMBLY**

Ref. No.	Part Name	Parts Per Pump	Part No.
126A	Seal Cover	1	143102
153	Mechanical Seal, Type 51 (FKM)	1	335805



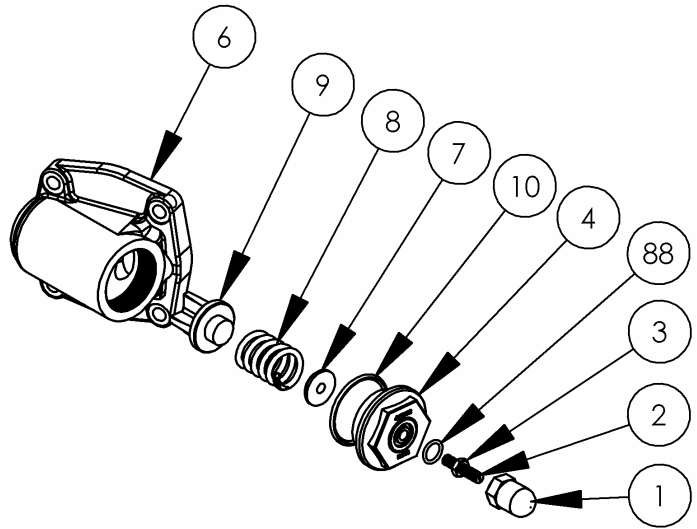
**CARTRIDGE SEAL**

Ref. No.	Part Name	Parts Per Pump	Part No.
153	Cartridge Seal (FKM)	1	335813



**RELIEF VALVE - OPTIONAL**

Ref. No.	Part Name	Parts Per Pump	Part No.
1	Cap – Relief Valve (R/V)	1	411422
2	Adjusting Screw – R/V	1	924070
3	Locknut – Adjusting Screw	1	929809
4	R/V Cover	1	401407
6	Body – R/V	1	403918
7	Spring Guide – R/V	1	423101
8	Spring – R/V (35 – 90 PSI)	1	471436
	Spring – R/V (75 – 125 PSI)		471429
9	Valve – R/V	1	453944
10	O-Ring – R/V Cover (PTFE)	1	702084
	O-Ring – R/V Cover (FKM)		701970
88	O-Ring – R/V Cap (PTFE)	1	702074
	O-Ring – R/V Cap (FKM)		701908



**C-FACE ADAPTOR - OPTIONAL**

Ref. No.	Part Name	Parts Per Pump	Part No.
28A	Mounting Screw, Bracket	3	924037
28C	Screw, Guard	1	920026
34A	Coupling Half – Motor 182TC, 184TC 213TC, 215TC 254TC, 256TC	1	906146 906004 906014
34B	Coupling Spider 182TC, 184TC 213TC – 256TC	1	906155 906010
34C	Coupling Half – Pump 182TC, 184TC 213TC – 256TC	1	906146 906002
56	Capscrew, Adaptor Ring 182TC, 184TC 213TC, 215TC 254TC, 256TC	4	920471 920539 920555
86	Motor Adaptor Ring 213TC, 215TC 254TC, 256TC	1	834038 834037
108	Mounting Bracket	1	834090
108B	Capscrew, Mounting	2	920083
186	Guard	1	804120

