

# BLACKMER PARTS LIST

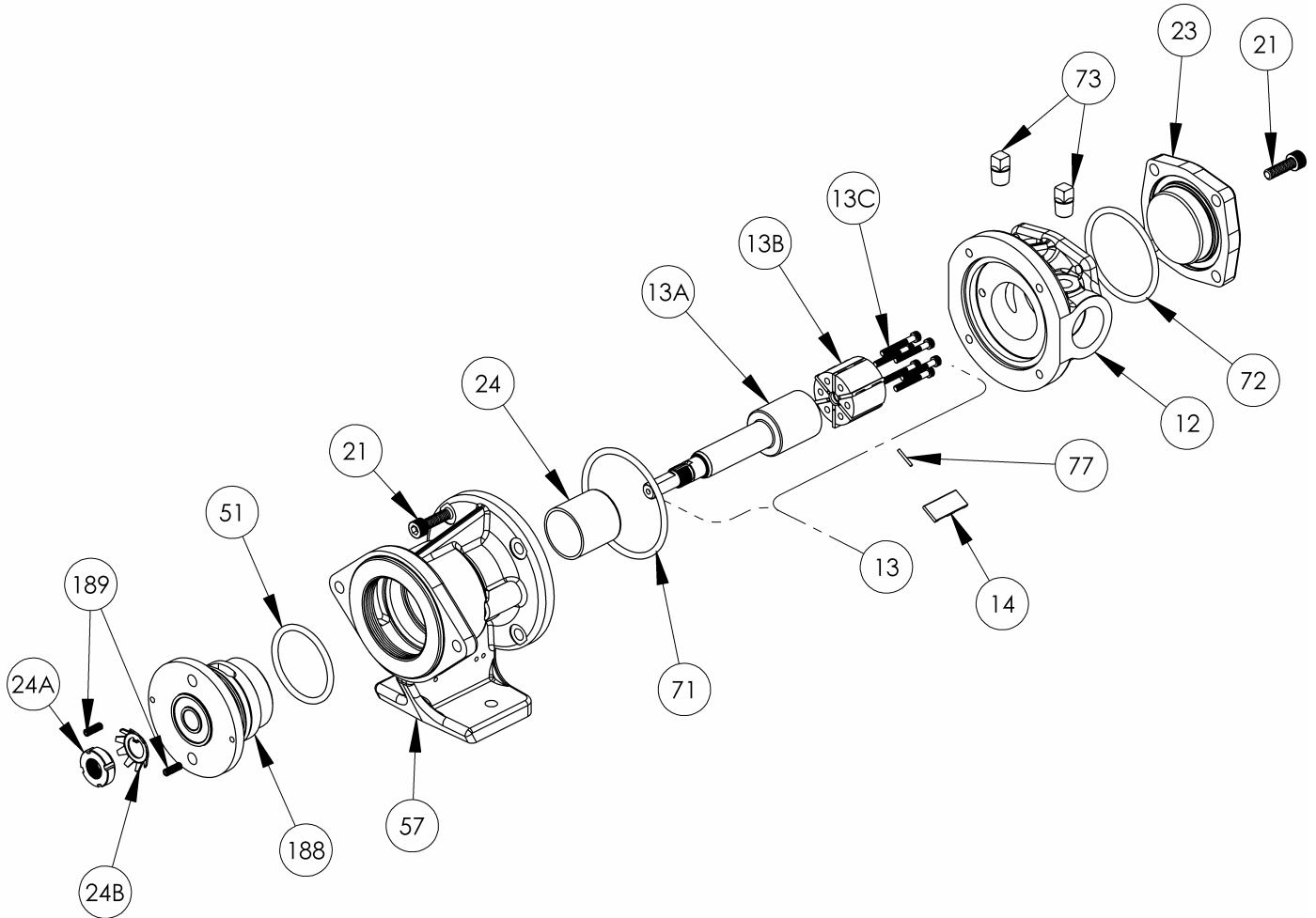
## PUMP MODEL: PVS6A, PVS8A

(See Instructions 111-F00 for Installation, Operation and Maintenance)

965829  
Page 1 of 2

**PARTS LIST**  
**111-F01**

Section	111
Effective	Dec 2007
Replaces	July 2007

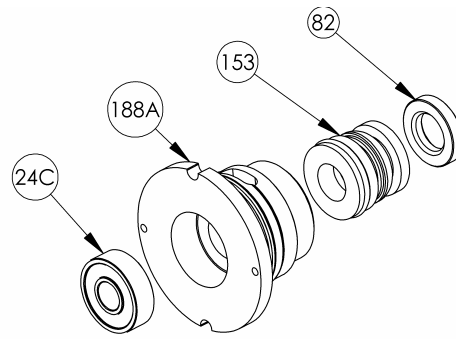


Ref. No.	Description	Parts per Pump	Part No.	Ref. No.	Description	Parts per Pump	Part No.
12	Cylinder – PVS6A	1	022202	51	O-Ring – Bearing Adjuster (PTFE)	1	702076
	Cylinder – PVS8A		022203		O-Ring – Bearing Adjuster (FKM)		711908
13	Rotor & Shaft	1	262227	57	Drive Housing	1	835809
13A	Shaft	1	212229	71	O-Ring – Drive Housing (PTFE)	1	711999
13B	Rotor	1	202202		O-Ring – Drive Housing (FKM)		702015
13C	Rotor Cap screws	6	920266	72	O-Ring – Head (PTFE)	1	702084
14	Vane – Duravane®	6	094861		O-Ring – Head (FKM)		701970
21	Cap screw – Head	8	929009	73	Plug – 1/8" NPT	2	908183
23	Head	1	032205	77	Push Rod – PVS6A – Plastic	3	125811
24	Bearing – Sleeve	1	165809		Push Rod – PVS8A – Plastic		125812
24A	Locknut	1	903572	153	Seal	1	See Backside
24B	Lock washer	1	903573	188	Bearing Adjuster Assembly	1	See Backside
24C	Bearing – Ball	1	903188	189	Bearing Adjuster Set Screw	2	922019

Keep this parts list with Installation, Operation and Maintenance Instructions.

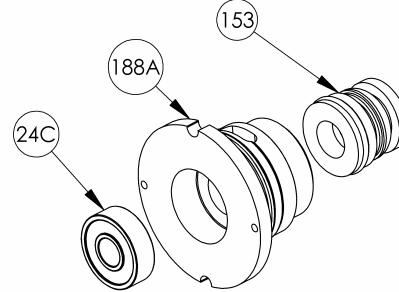
**TYPE 16 MECHANICAL SEAL ASSEMBLY**

Ref. No.	Part Name	Parts Per Pump	Part No.
24C	Bearing - Ball	1	903188
82	Seal Spacer	1	335808
153	Mechanical Seal, Type 16 (FKM)	1	336805
188A	Bearing Adjuster	1	306806



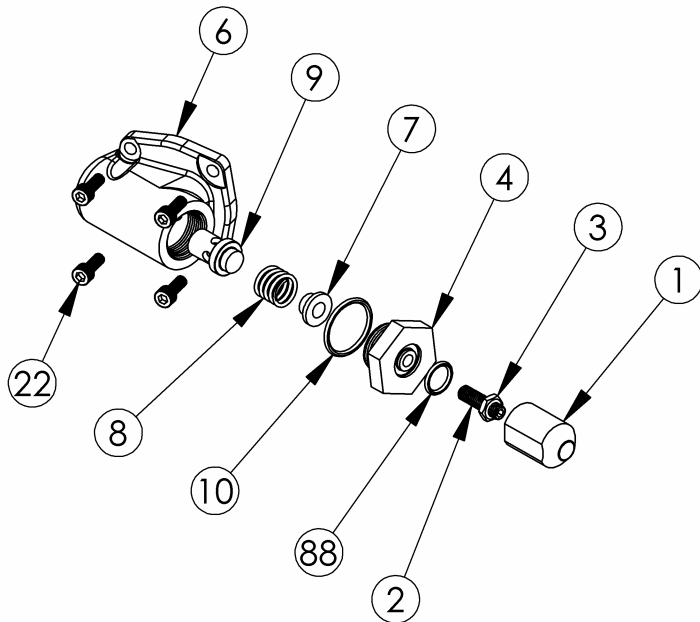
**TYPE 9 MECHANICAL SEAL ASSEMBLY**

Ref. No.	Part Name	Parts Per Pump	Part No.
24C	Bearing - Ball	1	903188
153	Mechanical Seal, Type 9 (PTFE)	1	335823
188A	Bearing Adjuster Assembly	1	142207



**RELIEF VALVE - OPTIONAL**

Ref. No.	Part Name	Parts Per Pump	Part No.
1	Cap - Relief Valve (R/V)	1	411422
2	Adjusting Screw - R/V	1	922051
3	Locknut - Adjusting Screw	1	929809
4	R/V Cover	1	411410
6	Body - R/V	1	401408
7	Spring Guide - R/V	1	421420
8	Spring - R/V (35 - 90 psi)	1	471434
	Spring - R/V (75 - 125 psi)		471450
9	Valve - R/V	1	451430
10	O-Ring - R/V Cover (PTFE)	1	702362
	O-Ring - R/V Cover (FKM)		712000
22	Capscrews - R/V Body	4	929009
88	O-Ring - R/V Cap (PTFE)	1	702074
	O-Ring - R/V Cap (FKM)		701908



**C-FACE ADAPTOR - OPTIONAL**

Ref. No.	Part Name	Parts Per Pump	Part No.
28A	Mounting Screw, Bracket	2	929031
28C	Screw, Guard	1	920026
34A	Coupling Half - Motor	1	906131
	56C		906012
	143TC, 145TC		906012
34B	Coupling Spider	1	906013
34C	Coupling Half - Pump	1	906132
108	Mounting Bracket	1	834092
186	Guard	1	804120

