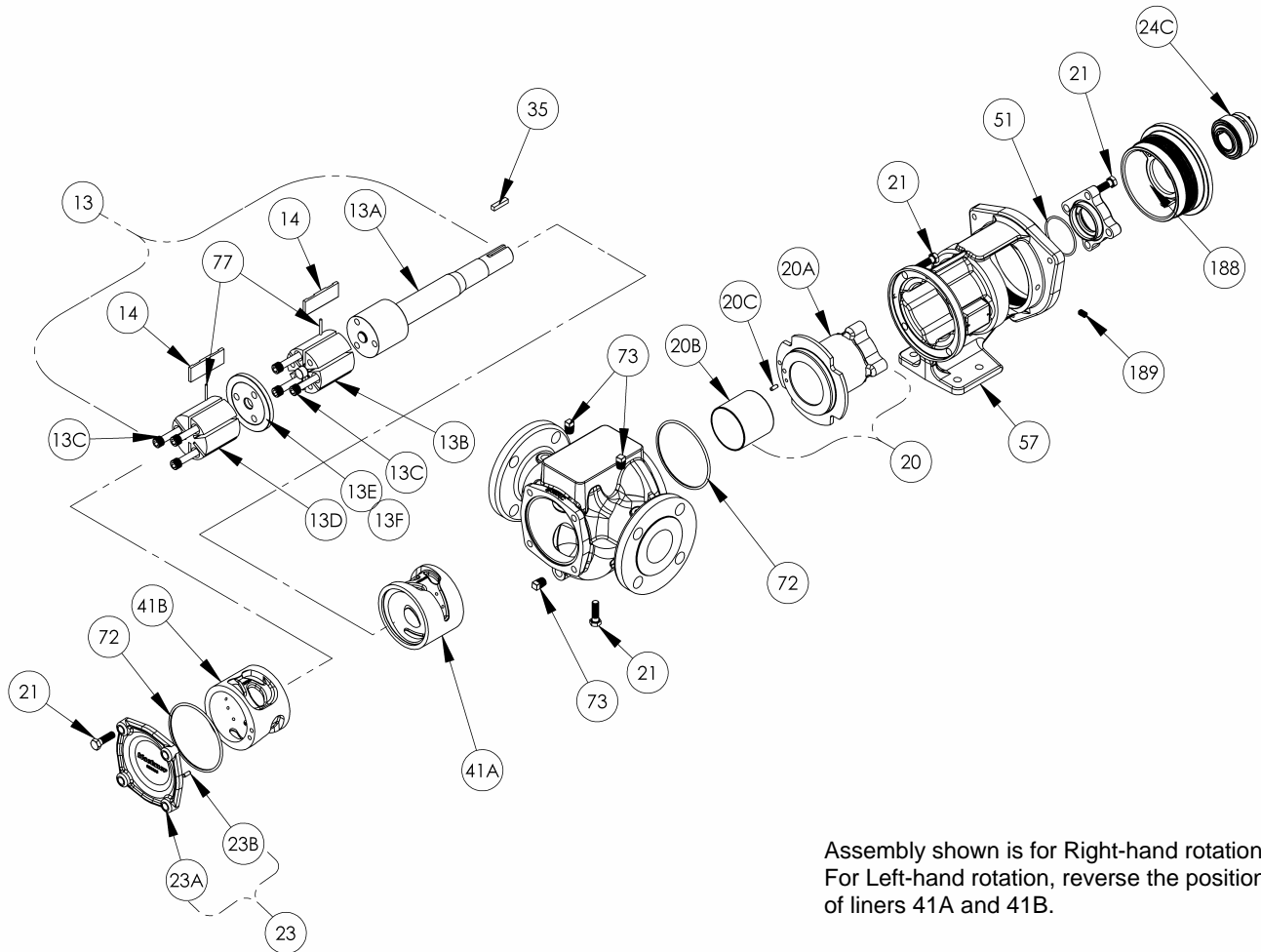


BLACKMER PARTS LIST

PUMP MODELS: PVS80A, PVS100A

(See Instructions 111-H00 for Installation, Operation and Maintenance)

Section	111
Effective	Dec 2007
Replaces	Jan 2007



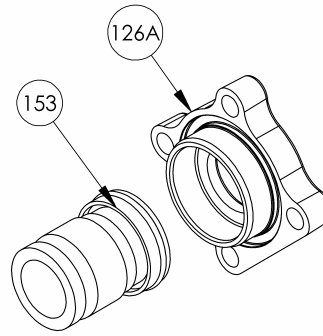
Assembly shown is for Right-hand rotation.
For Left-hand rotation, reverse the positions of liners 41A and 41B.

Ref. No.	Description	Parts per Pump	Part No.	Ref. No.	Description	Parts per Pump	Part No.
12	Casing (Std.)	1	013801	24C	Bearing – Ball	1	903184
	Casing (RV Option)		013802	35	Key – Shaft	1	909178
13	Rotor & Shaft Asy.	1	262231	41A	Liner – PVS80A	1	183806
13A	Shaft	1	213101		Liner – PVS100A		183805
13B	Inboard Rotor	1	203802	41B	Liner – PVS80A	1	183809
13C	Rotor Capscrews	6	920429		Liner – PVS100A		183810
13D	Outboard Rotor	1	203803	51	O-Ring – Seal Cover (PTFE)	1	702363
13E	Rotating Disc - Inner	1	065803		O-Ring – Seal Cover (FKM)		702182
13F	Rotating Disc - Outer	1	065805	57	Drive Housing	1	835811
14	Vane, Duravane®	12	094865		O-Ring – Head (PTFE)		702066
20	Assembly, Inboard Head	1	032209	72	O-Ring – Head (FKM)	2	701991
20A	Head, Inboard	1	033107		73		Plug, ¼" NPT
20B	Bearing, Sleeve	1	165808	77	Push Rod – PVS80A – Plastic	6	125815
20C	Alignment Pin	1	930565		Push Rod – PVS100A – Plastic		125818
21	Capscrew, Socket Head	13	920040	126	Seal Cover Assembly	1	See Backside
23	Outboard Head Assy.	1	035811	188	Bearing Adjuster	1	305809
23A	Head, Outboard	1	033106	189	Bearing Adjuster Set Screw	1	924068
23B	Alignment Pin	1	930565				

Keep this parts list with Installation, Operation and Maintenance Instructions.

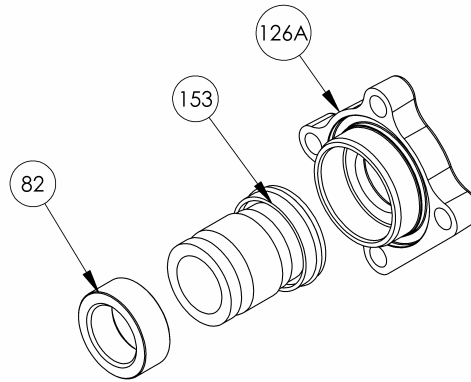
TYPE 51 MECHANICAL SEAL ASSEMBLY

Ref. No.	Part Name	Parts Per Pump	Part No.
126A	Seal Cover	1	143102
153	Mechanical Seal, Type 51 (FKM)	1	335805



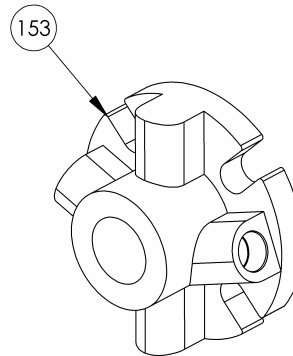
TYPE 9 MECHANICAL SEAL ASSEMBLY – OPTIONAL

Ref. No.	Part Name	Parts Per Pump	Part No.
82	Seal Spacer	1	335821
126A	Seal Cover Assembly	1	142211
153	Mechanical Seal, Type 9 (PTFE)	1	335825



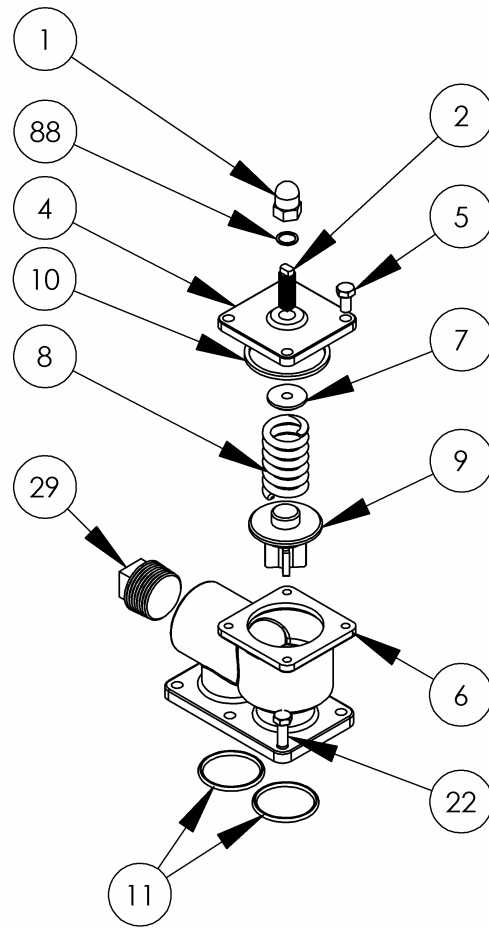
CARTRIDGE SEAL - OPTIONAL

Ref. No.	Part Name	Parts Per Pump	Part No.
153	Cartridge Seal (FKM)	1	335813



Relief Valve – Optional

Ref. No.	Part Name	Parts Per Pump	Part No.
1	Cap – Relief Valve (R/V)	1	413151
2	Adjusting Screw – R/V	1	433101
4	Cover – R/V	1	413801
5	Cap Screw – R/V Cover	4	920129
6	Body – R/V	1	403801
7	Spring Guide – R/V	1	423101
8	Spring – R/V (25-50 psi)	1	471417
	Spring – R/V (51-75 psi) Std.		471418
	Spring – R/V (76-100 psi)		471427
	Spring – R/V (101-125 psi)		471429
9	Valve – R/V	1	453803
10	O-Ring – R/V Cover (PTFE)	1	711999
	O-Ring – R/V Cover (FKM)		702015
11	O-Ring – R/V Body (PTFE)	2	702110
	O-Ring – R/V Body (FKM)		701962
22	Cap Screw – R/V Body	6	924009
29	Plug (1 ¼")	1	908244
88	Gasket – R/V Cap	1	533101



C-Face Adapter - Optional

Ref. No.	Part Name	Parts Per Pump	Part No.
28A	Mounting Screw, Bracket	3	924037
28C	Screw, Guard	1	920026
34A	Coupling Half – Motor 213TC, 215TC 254TC, 256TC	1	906004
			906014
34B	Coupling Spider 213TC – 256TC	1	906010
34C	Coupling Half – Pump 213TC – 256TC	1	906002
56	Capscrew, Adapter Ring 182TC, 184TC 213TC, 215TC 254TC, 256TC	4	920471
			920539
			920555
			920555
86	Motor Adapter Ring 213TC, 215TC 254TC, 256TC	1	834038
			834037
			834037
108	Mounting Bracket	1	834090
108B	Capscrew, Mounting	2	920083
186	Guard	1	804120

