

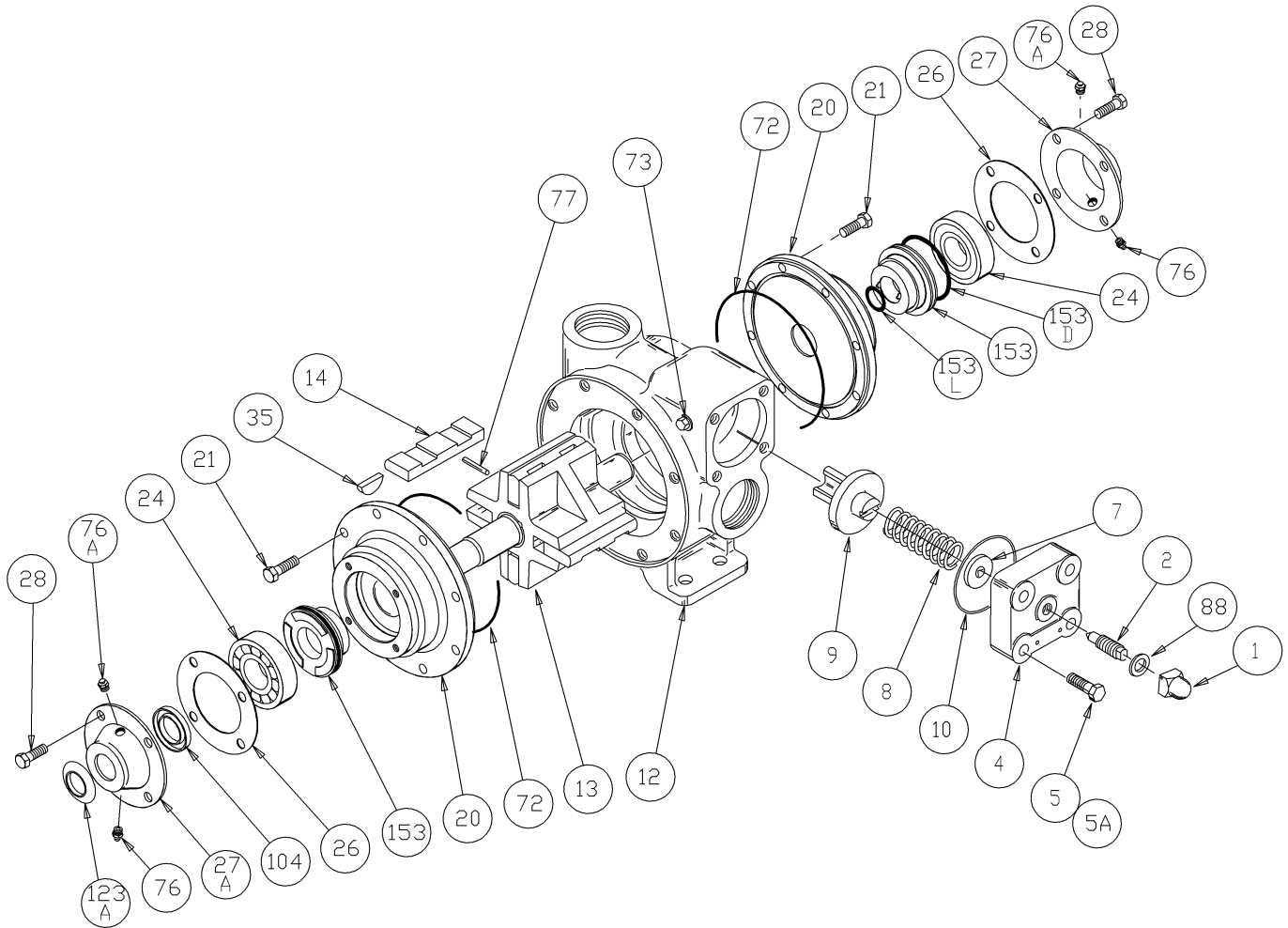
BLACKMER PARTS LIST

PUMP MODEL: TX1.5

961223 **PARTS LIST**
Page 1 of 2 **201-A01**

Section | 201
Effective | Nov 2007
Replaces | Sept 2007

See Instructions 201-A00 for Installation, Operation and Maintenance



Ref. No.	Description	Parts Per Pump	Part No.	Ref. No.	Description	Parts Per Pump	Part No.
1	Cap – Relief Valve (R/V)	1	411453	21	Capscrews – Head	16	920331
2	Adjusting Screw – R/V	1	431401	24	Ball Bearing	2	¹ 903156
4	Cover – R/V	1	411469	26	Gasket- Bearing Cover	2	¹ 381406
5	Capscrew – R/V Cover	3	920316	27	Bearing Cover – Outboard	1	041433
5A	Capscrew w / Hole – R/V Cover	1	920310	27A	Bearing Cover – Inboard	1	041431
7	Spring Guide – R/V	1	423955	28	Capscrews – Bearing Cover	8	920285
8	Spring – R/V (51-75 psi)	1	471420	35	Key – Shaft	1	¹ 909130
	Spring – R/V (76-100 psi) (Std.)		471425		O-Ring – Head (Buna-N)	2	¹ 702228
	Spring – R/V (101-125 psi)		471428	72	O-Ring – Head (FKM)		702229
			O-Ring – Head (PTFE)	702230			
9	Valve – R/V	1	451416	73	Gage Plug	2	908198
	Valve – R/V (Nickel Plated)		451414	76	Grease Fitting	2	317815
10	O-Ring – R/V Cover (Buna-N)	1	¹ 702211	76A	Grease Relief Fitting	2	701992
	O-Ring – R/V Cover (FKM)		702212	77	Push Rods	2	¹ 123305
	O-Ring – R/V Cover (PTFE)		702213	76	Grease Seal	1	¹ 701981
12	Cylinder	1	021203	88	Gasket – R/V Cap	1	¹ 331918
13	Rotor & Shaft	1	261205	104	Grease Seal	1	¹ 701480
	Vane – Duravane (Std.)		¹ 091219	123A	Dirt Shield	1	¹ 701480
	Vane – Bronze		093328	153	Mechanical Seal	2	See Backside
20	Head	2	031207		Kit - Maintenance		898949

¹ Included in Maintenance Kit

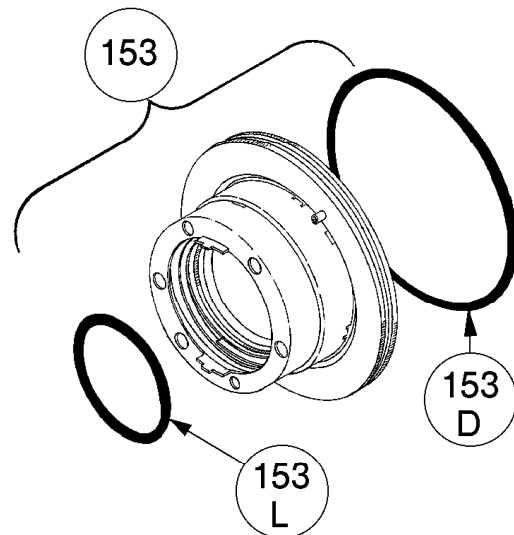
Keep this parts list with Installation, Operation and Maintenance Instructions.

MECHANICAL SEALS

REF. NO.	PART NAME	PARTS PER PUMP	PART NO.
153	Mechanical Seal Complete (Std.) Cast Iron Stationary Seat, Carbon Seal Face, Buna-N O-Rings. (INCN)	2	¹ 331601
	Mechanical Seal Complete - Cast Iron Stationary Seat, Carbon Seal Face, FKM O-Rings. (IVCV)		331655
	Mechanical Seal Complete - Cast Iron Stationary Seat, PTFE O-Ring, Carbon Seal Face w/ PTFE Seal Ring. (IACT)		331673
153D	O-Ring - Stationary (Buna-N)	2	701934
	O-Ring - Stationary (FKM)		701921
	O-Ring - Stationary (PTFE)		702056
153L	O-Ring - Rotating (Buna-N)	2	701922
	O-Ring - Rotating (FKM)		701980
	Seal Ring - Rotating (PTFE)		**

¹ Included in Maintenance Kit

** PTFE Rotating Seal Ring is not available as a separate part.



OPTIONAL HYDRAULIC MOTOR ADAPTER PARTS

REF. NO.	PART NAME	PARTS PER PUMP	PART NO.
See Below	Hydraulic Motor Adapter Kit *	See Below	891205
26A	Gasket – Hydraulic Motor Adapter	1	383940
28A	Capscrew – Hydraulic Motor Adapter / Head	4	920369
34	Coupling w/ Setscrew – for 1" straight key hydraulic motor	1	906966
76	Grease Fitting	1	317815
76A	Grease Relief Fitting	1	701992
135	Hydraulic Motor Adapter – SAE A Flange	1	041827
135A	Capscrew – Adapter / Motor	2	920510

Hydraulic Motor Adapter Kits shipped before Spring 2002 were of a two piece design – refer to page 206-B00.

