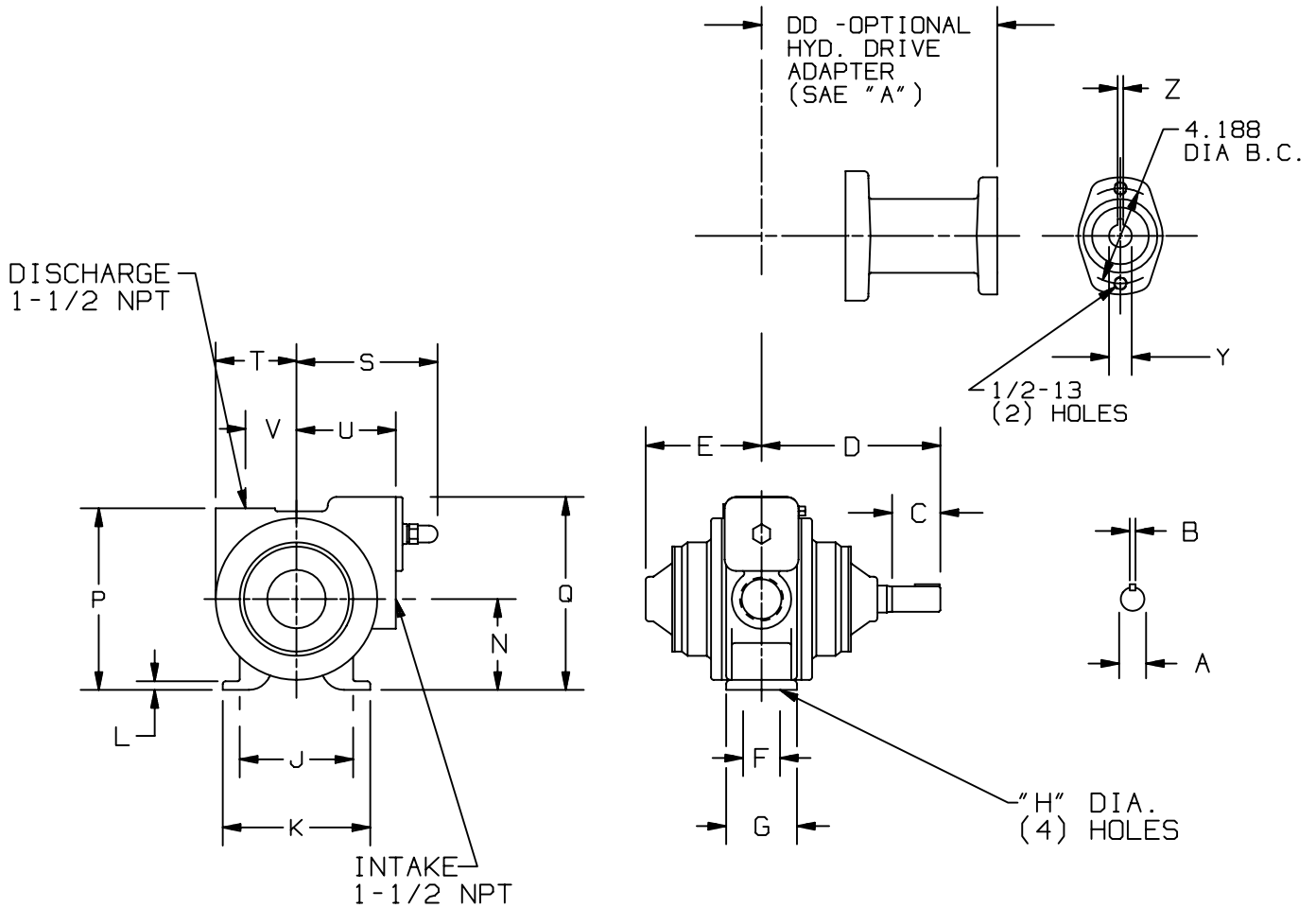




| | | |
|------|------|------------|
| TYPE | SIZE | UNIT STYLE |
| TX | 1.5 | PO |

| | |
|--------------------|--------------|
| DIMENSIONS 201-101 | |
| Section | 201 |
| Effective | July 2005 |
| Replaces | October 2002 |
| Page 1 / 2 | |

LEFT HAND ROTATION



| MOTOR | | UNITS | DIMENSIONS | | | | | | | | | |
|------------|--|-------|------------|-----|--------|---------|--------|-------|-------------|--------|-------|-------|
| FRAME SIZE | | | A | B | C | D | E | F | G | H | J | K |
| | | IN | 1 1/8 | 1/4 | 2 1/16 | 7 13/16 | 5 1/16 | 1 5/8 | 3 1/8 | 7/16 | 5 | 6 1/2 |
| | | MM | 28,6 | 6,4 | 52,4 | 198,4 | 128,6 | 41,3 | 79,4 | 11,1 | 127 | 165,1 |
| | | | L | M | N | P | Q | R | S | T | U | V |
| | | IN | 3/8 | — | 4 | 8 | 8 1/2 | — | 7 | 3 9/16 | 4 3/8 | 2 1/4 |
| | | MM | 9,5 | — | 101,6 | 203,2 | 215,9 | — | 177,8 | 90,5 | 111,1 | 57,2 |
| | | | W | X | Y | Z | AA | BB | CC | DD | EE | FF |
| | | IN | — | — | 1 | 1/4 | — | — | — | 10 3/8 | — | — |
| | | MM | — | — | 25,4 | 6,4 | — | — | — | 263,5 | — | — |
| | | | GG | HH | | | | | PUMP WEIGHT | | | |
| | | IN | — | — | | | | | LBS | 61 | | |
| | | MM | — | — | | | | | KG | 27 | | |

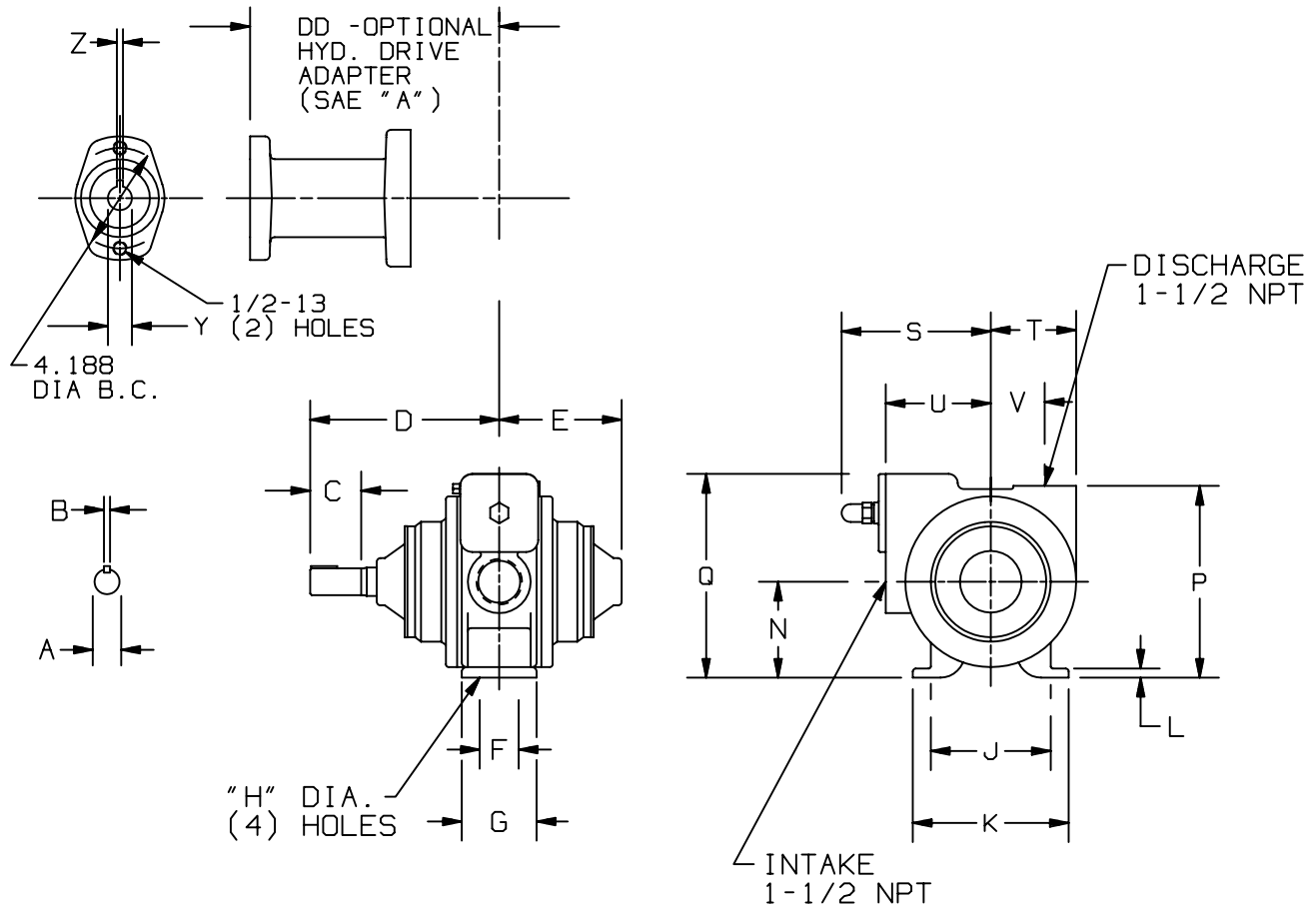
DIMENSIONS 201-101

Section 201
 Effective July 2005
 Replaces October 2002
 Page 2 / 2

| | | |
|------|------|------------|
| TYPE | SIZE | UNIT STYLE |
| TX | 1.5 | PO |



RIGHT HAND ROTATION



| MOTOR | | | UNITS | DIMENSIONS | | | | | | | | | |
|------------|--|--|-------|------------|-----|--------|---------|--------|-------|-------------|--------|-------|-------|
| FRAME SIZE | | | | A | B | C | D | E | F | G | H | J | K |
| | | | IN | 1 1/8 | 1/4 | 2 1/16 | 7 13/16 | 5 1/16 | 1 5/8 | 3 1/8 | 7/16 | 5 | 6 1/2 |
| | | | MM | 28,6 | 6,4 | 52,4 | 198,4 | 128,6 | 41,3 | 79,4 | 11,1 | 127 | 165,1 |
| | | | | L | M | N | P | Q | R | S | T | U | V |
| | | | IN | 3/8 | — | 4 | 8 | 8 1/2 | — | 7 | 3 9/16 | 4 3/8 | 2 1/4 |
| | | | MM | 9,5 | — | 101,6 | 203,2 | 215,9 | — | 177,8 | 90,5 | 111,1 | 57,2 |
| | | | | W | X | Y | Z | AA | BB | CC | DD | EE | FF |
| | | | IN | — | — | 1 | 1/4 | — | — | — | 10 3/8 | — | — |
| | | | MM | — | — | 25,4 | 6,4 | — | — | — | 263,5 | — | — |
| | | | | GG | HH | | | | | PUMP WEIGHT | | | |
| | | | IN | — | — | | | | | LBS | 61 | | |
| | | | MM | — | — | | | | | KG | 27 | | |