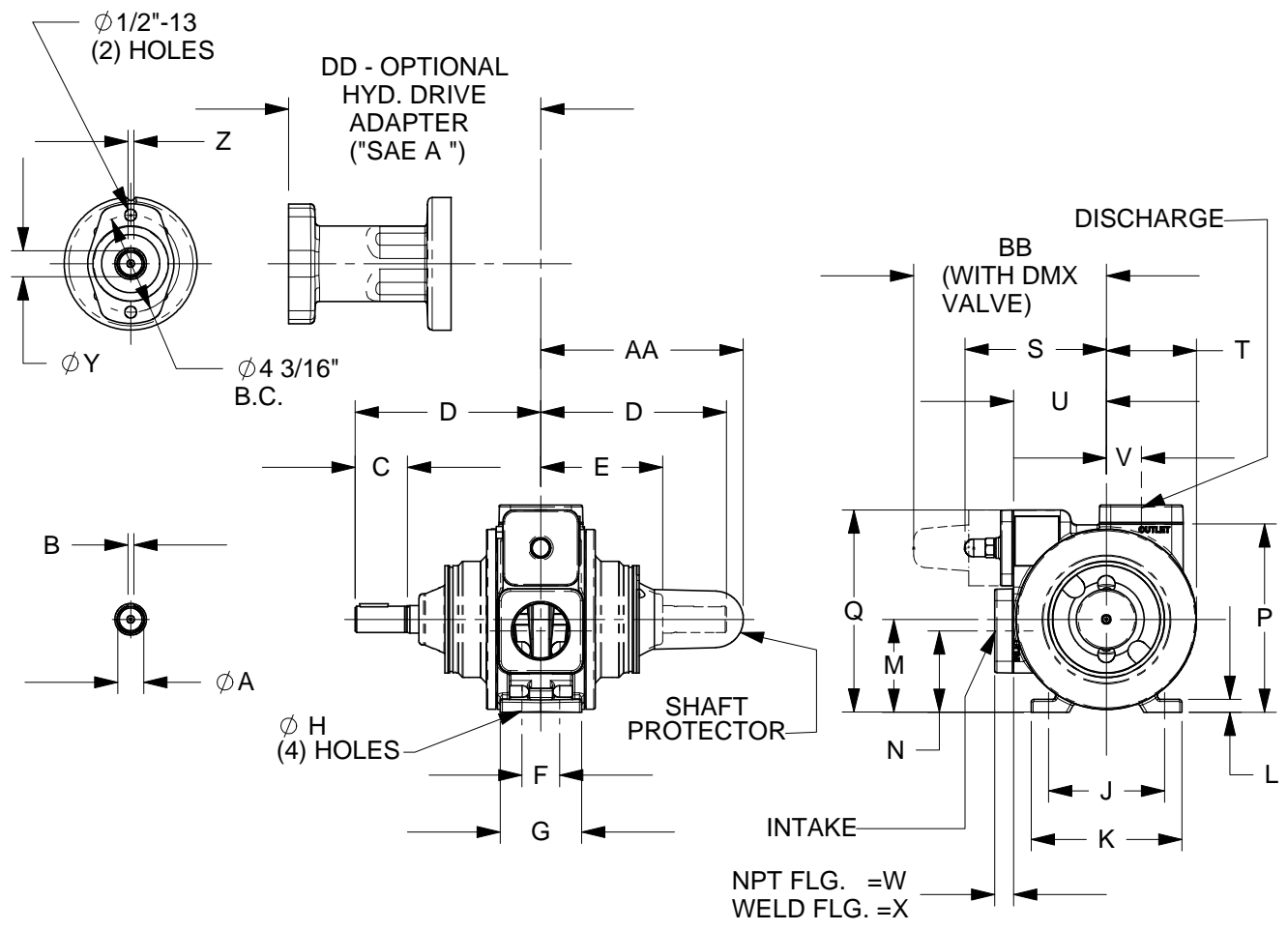




TYPE	SIZE	UNIT STYLE
TX(S)D	2A	PO

DIMENSIONS 201-103	
Section Effective Replaces Page 1 / 1	201 February 2003 October 2002

RIGHT HAND ROTATION. FOR LEFT HAND ROTATION, SHAFT PROJECTION IS OPPOSITE THAT SHOWN



MOTOR		UNITS	DIMENSIONS									
FRAME SIZE			A	B	C	D	E	F	G	H	J	K
		IN	1 1/8	1/4	2 1/4	8	5 1/4	1 5/8	3 1/2	7/16	5	6 1/2
		MM	28,6	6,4	57,2	203,2	133,4	41,3	88,9	11,1	127	165,1
			L	M	N	P	Q	R	S	T	U	V
		IN	1/2	4	3 1/2	8 1/8	8 11/16	—	6 1/8	3 7/8	4	1 1/2
		MM	12,7	101,6	88,9	206,4	220,6	—	155,6	98,4	101,6	38,1
			W	X	Y	Z	AA	BB	DD			
		IN	13/16	1 1/4	1 1/4	5/16	8 3/4	8 5/16				
		MM	20,6	31,8	31,8	7,9	222,3	211,1				
			PUMP WEIGHT		WITH STD FLANGES					1 1/4" Hyd Motor Shaft	1" Hyd Motor Shaft	
			LBS		70				IN	10 7/8	10 9/16	
			KG		32				MM	276,2	268,3	