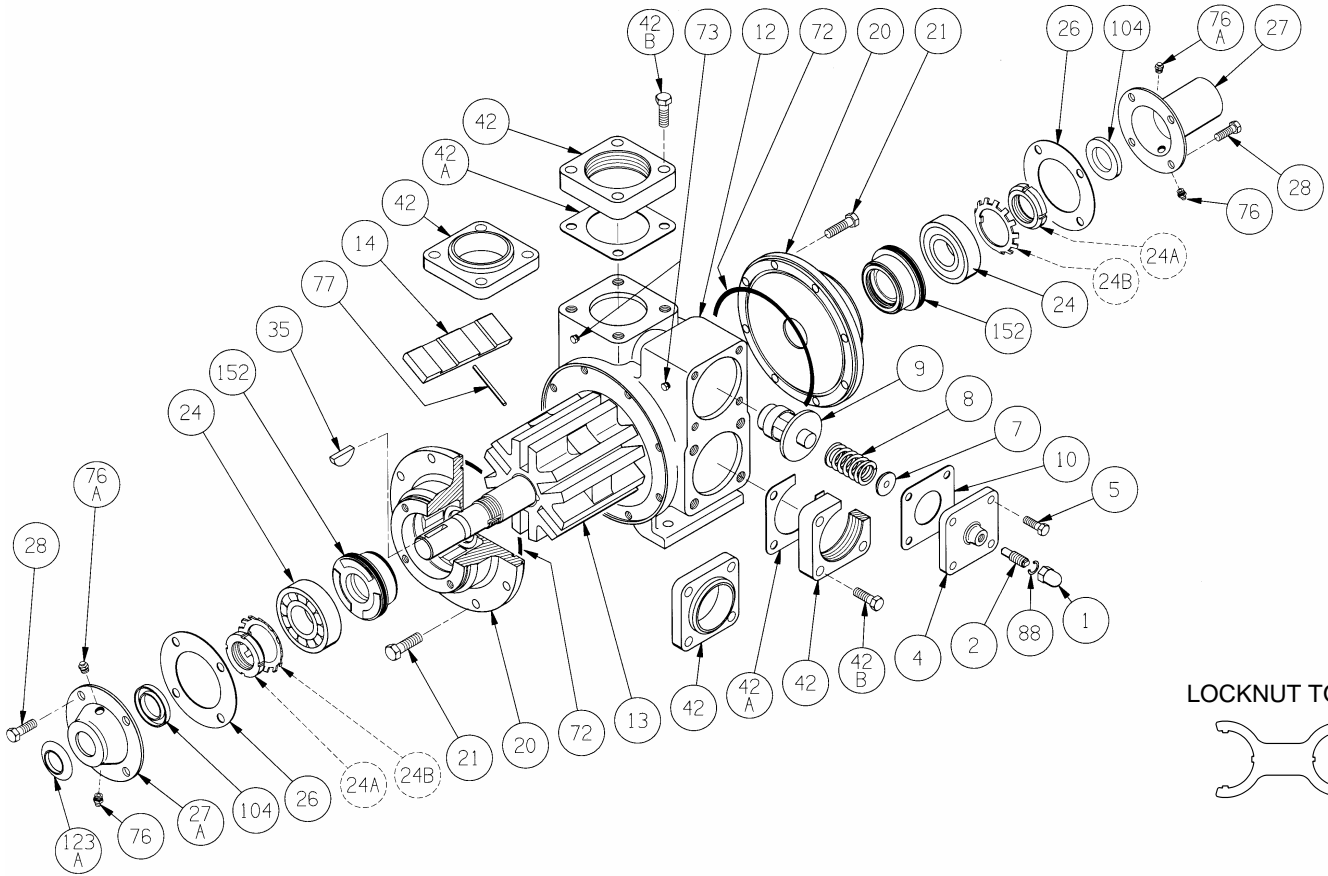


# BLACKMER PARTS LIST

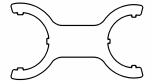
## PUMP MODEL: TXV2.5B DISCONTINUED MODEL: TXV2.5A

See Instructions 202-A00 for Installation, Operation and Maintenance

Section	202
Effective	Sept 2007
Replaces	June 2005



LOCKNUT TOOL



REF NO.	DESCRIPTION	PARTS PER PUMP	PART NO.	REF NO.	DESCRIPTION	PARTS PER PUMP	PART NO.
1	Cap - Relief Valve (R/V)	1	411452	27	Bearing Cover – Outboard	1	341600
2	Adjusting Screw – R/V	1	431401	27A	Bearing Cover – Inboard	1	041431
4	Cover – R/V	1	411607	28	Capscrews – Bearing Cover	8	920285
5	Capscrew – R/V Cover	4	920316	35	Key – Shaft	1	<sup>1</sup> 909130
7	Spring Guide – R/V	1	423955	42	Flange – 2 ½" NPT	2	651611
8	Spring – R/V (51-110 psi)(Std.)	1	471631	42A	Flange – 2 ½" Weld	2	651608
	Spring – R/V (111-125 psi)		471614		Gasket – Flange		<sup>1</sup> 381650
9	Valve – R/V (Std.)	1	451623	42B	Capscrew – 2 ½" NPT Flange	8	920532
	Valve – R/V (Nickel Plated)		451624		Capscrew – 2 ½" Weld Flange		920491
10	Gasket – R/V Cover	1	<sup>1</sup> 531603	72	O-Ring – Head (FKM) (Std.)	2	<sup>1</sup> 701914
12	Cylinder	1	021605	O-Ring – Head (PTFE)	702242		
13	Rotor & Shaft - Double Ended <sup>2</sup>	1	261614	73	Gage Plug	2	908198
14	Vane – Bronze (Std.)	6	<sup>1</sup> 091624	76	Grease Fitting	2	317815
	Vane – Duravane		091619	76A	Grease Relief Fitting	2	701992
	Vane – Laminate		091627	77	Push Rod	3	<sup>1</sup> 121607
20	Head (Std.)	2	031425	88	Gasket – R/V Cap	1	<sup>1</sup> 701981
	Head with Drain (Opt.)		031426	104	Grease Seal	2	<sup>1</sup> 331918
21	Capscrews – Head	16	920331	123A	Dirt Shield	1	<sup>1</sup> 701480
24	Ball Bearing	2	<sup>1</sup> 903156	152	Lip Seal Assembly	2	See Backside
24A	Locknut – Bearing <sup>3</sup>	2	903521		Tool - Locknut		903091
24B	Lockwasher – Bearing <sup>3</sup>	2	<sup>1</sup> 903522		Kit – Maintenance		898954
26	Gasket – Bearing Cover	2	<sup>1</sup> 381406		Hydraulic Motor Adapter Kit		See Backside

<sup>1</sup> Included in Maintenance Kit

<sup>2</sup> Includes Ref. 24A & 24B

<sup>3</sup> Ref. 24A & 24B became standard Jan. 2002

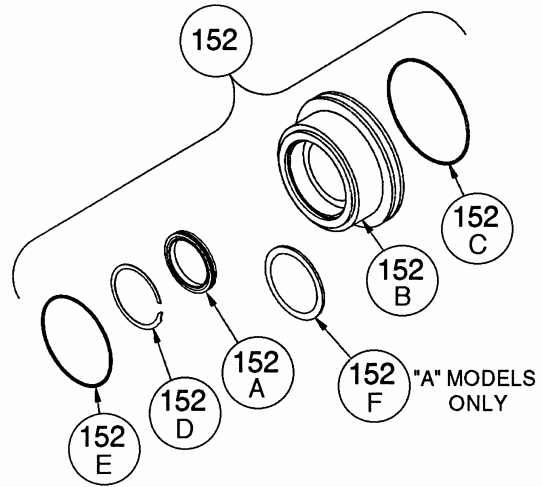
Keep this parts list with Installation, Operation and Maintenance Instructions.

## LIP SEAL - STANDARD

REF. NO.	PART NAME	PARTS PER PUMP	TXV2.5B PART NO.	TXV2.5A PART NO.
152	Lip Seal Complete – Lip Seal, Housing w/ FKM O-Ring. (Std.)	2	<sup>1</sup> 331683	331671
	Lip Seal Complete – Lip Seal, Housing w/ PTFE O-Ring.		331684	331669
152A	Lip Seal w/ FKM O-Ring	2	331685	331662
	Lip Seal w/ PTFE O-Ring		331686	331668
152B	Housing – Lip Seal	2	331472	331472
152C	Outer O-Ring – Housing (FKM)	2	701921	701921
	Outer O-Ring – Housing (PTFE)		702056	702056
152D	Retaining Ring – Lip Seal	2	903562	903562
152E	Inner O-Ring – Housing (FKM)	2	702038	702038
	Inner O-Ring – Housing (PTFE)		702234	702234
152F	Spacer Washers*	0 - 10	NONE	331670

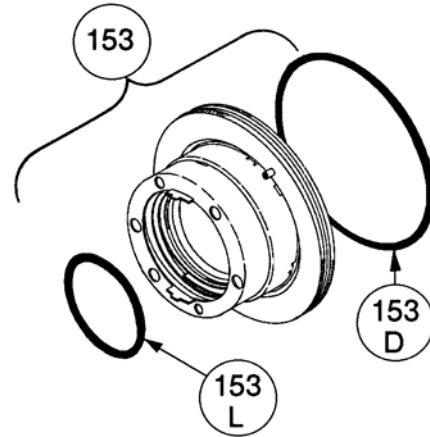
<sup>1</sup> Included in Maintenance Kit

\* Spacer washers (152F) are used for Discontinued TXV2.5A models only.



## MECHANICAL SEAL - OPTIONAL

REF. NO.	PART NAME	PARTS PER PUMP	PART NO.
153	Mechanical Seal Complete - Cast Iron Stationary Seat, Carbon Seal Face, FKM O-Rings. IVCV	2	331655
	Mechanical Seal Complete - Cast Iron Stationary Seat, Bronze Seal Face, FKM O-Rings. IVBV		331623
153D	O-Ring – Stationary (FKM)	2	701921
153L	O-Ring – Rotating (FKM)	2	701980



## OPTIONAL HYDRAULIC MOTOR ADAPTER

REF. NO.	PART NAME	PARTS PER PUMP	PART NO.
See Below	<b>Hydraulic Motor Adapter Kit *</b>	See Below	891458
26A	Gasket – Hydraulic Motor Adapter	1	383940
28A	Capscrew – Hydraulic Motor Adapter / Head	4	920369
34	Coupling w/ Setscrew – 1.25" straight key hyd. motor shaft	1	906967
35	Key – Coupling	1	909184
76	Grease Fitting	1	317815
76A	Grease Relief Fitting	1	701992
135	Hydraulic Motor Adapter – SAE A Flange	1	041828
135A	Capscrew – Adapter / Motor	2	920510

\* Hydraulic Motor Adapter Kits shipped prior to Spring 2002 were of a two piece design – refer to page 206-B00.

