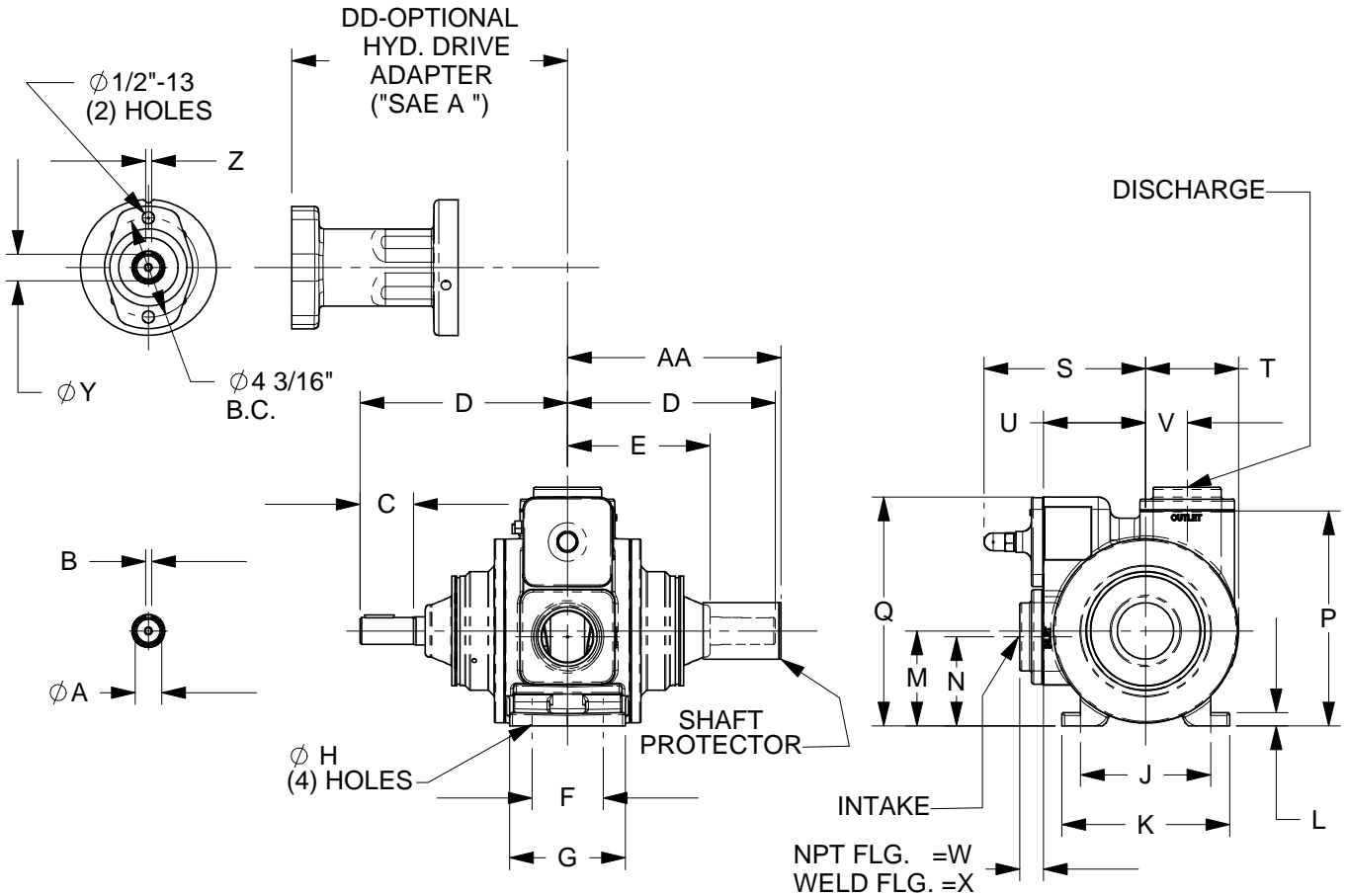




TYPE	SIZE	UNIT STYLE
TXV	2.5B	PO

DIMENSIONS 202-105	
Section Effective	202
Replaces	October 2002
Page 1 / 1	December 1995

RIGHT HAND ROTATION. FOR LEFT HAND ROTATION, SHAFT PROJECTION IS OPPOSITE THAT SHOWN



MOTOR		UNITS	DIMENSIONS									
FRAME SIZE			A	B	C	D	E	F	G	H	J	K
		IN	1 1/8	1/4	2 1/4	8 3/4	6	3	4 7/8	7/16	5 1/2	7
		MM	28,6	6,4	57,2	222,3	152,4	76,2	123,8	11,1	139,7	165,1
			L	M	N	P	Q	R	S	T	U	V
		IN	9/16	4	3 3/4	9 1/16	9 5/8	—	6 13/16	3 15/16	4 5/16	1 3/4
		MM	14,3	101,6	95,3	230,2	244,5	—	173	100	109,5	44,5
			W	X	Y	Z	AA	BB	CC	DD	EE	FF
		IN	1 3/16	1 1/4	1 1/4	5/16	9	—	—	11 5/8	—	—
		MM	30,2	31,8	31,8	7,9	228,6	—	—	295,3	—	—
			PUMP WEIGHT		WITH STD FLANGES							
			LBS		90							
			KG		41							