

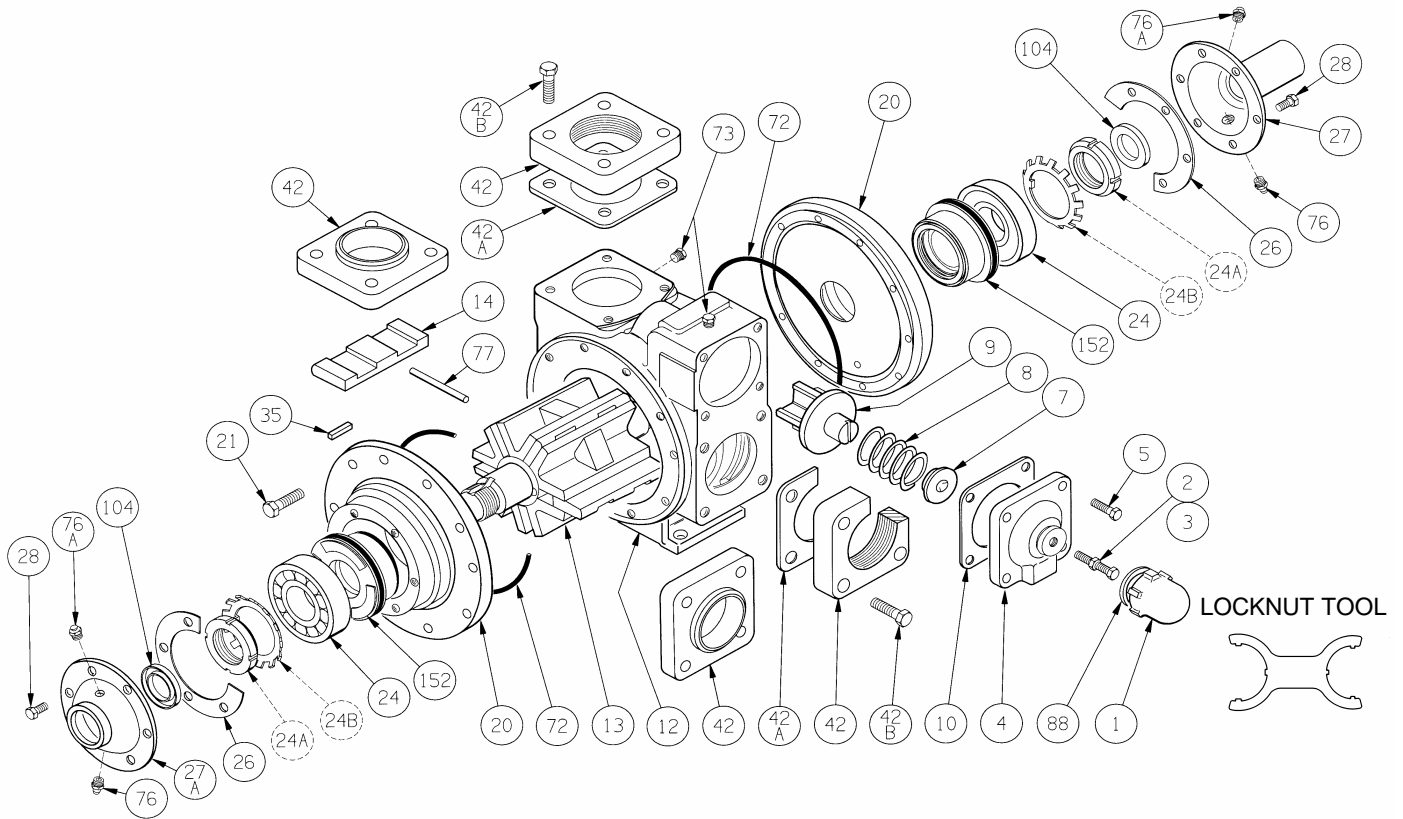
# BLACKMER PARTS LIST

## PUMP MODEL: TXV3B DISCONTINUED MODEL: TXV3A

See Instructions 202-A00 for Installation, Operation and Maintenance

961814      PARTS LIST  
Page 1 of 2      202-A03

Section      202  
Effective      Sept 2007  
Replaces      Jun 2005

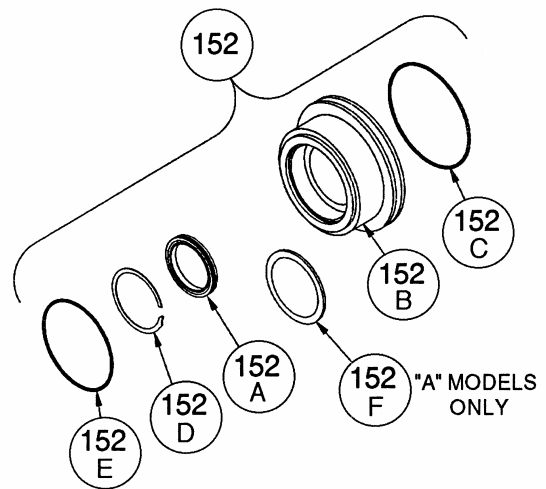


Ref. No.	Description	Parts Per Pump	Part No.	Ref. No.	Description	Parts Per Pump	Part No.
1	Cap – Relief Valve (R/V)	1	413952	26	Gasket – Bearing Cover	2	<sup>1</sup> 381817
2	Adjusting Screw – R/V	1	431808	27	Bearing Cover – Outboard	1	341800
3	Locknut – Adjusting Screw	1	922923	27A	Bearing Cover – Inboard	1	041815
4	Cover – R/V	1	411807	28	Capscrews – Bearing Cover	12	920285
5	Capscrew – R/V Cover	4	920331	35	Key – Shaft	1	<sup>1</sup> 909178
7	Spring Guide – R/V	1	421805	42	Flange – 3" NPT (Std.)	2	651803
8	Spring – R/V (51-110 psi) (Std.)	1	471806		Flange – 3" Weld		655106
	Spring – R/V (111-125 psi)		471809	42A	Gasket – Flange	2	<sup>1</sup> 381816
9	Valve – R/V (Std.)	1	451807	42B	Capscrew – NPT Flange	8	920532
	Valve – R/V (Nickel Plated)		451808		Capscrew – Weld Flange		920510
10	Gasket – R/V Cover	1	<sup>1</sup> 531803	72	O-Ring – Head (FKM) (Std.)	2	<sup>1</sup> 711938
12	Cylinder	1	021805		O-Ring – Head (PTFE)		702233
13	Rotor & Shaft – Double Ended <sup>2</sup>	1	261850	73	Gage Plug	2	908198
14	Vane – Bronze (Std.)	6	<sup>1</sup> 091804	76	Grease Fitting	2	317815
	Vane – Duravane		091819	76A	Grease Relief Fitting	2	701992
	Vane – Laminate		091829	77	Push Rod	3	<sup>1</sup> 121807
20	Head with Drain (Std.)	2	031815	88	Gasket – R/V Cap	1	<sup>1</sup> 533908
21	Capscrews – Head	20	920369	104	Grease Seal	2	<sup>1</sup> 331908
24	Ball Bearing	2	<sup>1</sup> 903172	152	Lip Seal Assembly	2	See Backside
24A	Locknut – Bearing <sup>3</sup>	2	903523		Tool – Locknut		903091
24B	Lockwasher – Bearing <sup>3</sup>	2	<sup>1</sup> 903524		Kit – Maintenance		898955
					Hydraulic Motor Adapter Kit		See Backside

<sup>1</sup> Included in Maintenance Kit      <sup>2</sup> Includes Ref. 24A & 24B      <sup>3</sup> Ref. 24A & 24B became standard Jan. 2002  
Keep this parts list with Installation, Operation and Maintenance Instructions.

## LIP SEAL - STANDARD

REF. NO.	PART NAME	PARTS PER PUMP	TXV3B PART NO.	TXV3A PART NO.
152	Lip Seal Complete – Lip Seal, Housing w/ FKM O-Ring. (Std.)	2	1 331761	331755
	Lip Seal Complete – Lip Seal, Housing w/ PTFE O-Ring.		331762	331753
152A	Lip Seal w/ FKM O-Ring	2	331763	331856
	Lip Seal w/ PTFE O-Ring		331764	331752
152B	Housing – Lip Seal	2	331877	331877
152C	Outer O-Ring – Housing (FKM)	2	711931	711931
	Outer O-Ring – Housing (PTFE)		702080	702080
152D	Retaining Ring – Lip Seal	2	903561	903561
152E	Inner O-Ring – Housing (FKM)	2	702086	702086
	Inner O-Ring – Housing (PTFE)		702078	702078
152F	Spacer Washers*	0 - 8	NONE	331754



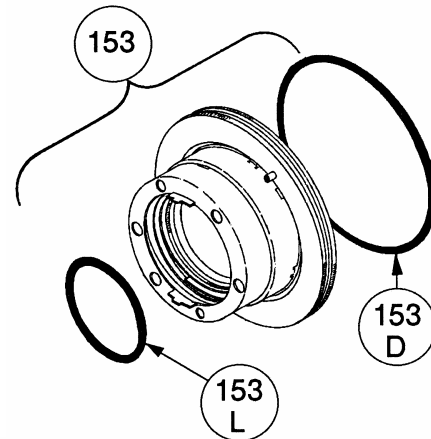
<sup>1</sup> Included in Maintenance Kit

\* Spacer washers (152F) are used for Discontinued TXV3A models only.

## MECHANICAL SEAL - OPTIONAL

REF. NO.	PART NAME	PARTS PER PUMP	PART NO.
153	Mechanical Seal Complete - Cast Iron Stationary Seat, Carbon Seal Face, FKM O-Rings. (IVCV)	2	331883
	Mechanical Seal Complete - Cast Iron Stationary Seat, Bronze Seal Face, FKM O-Rings. IVBV		331881
153D	O-Ring – Stationary (FKM)	2	711931
153L	O-Ring – Rotating (FKM)	2	701962

\*\* PTFE Rotating Seal Ring is not available as a separate part.



## OPTIONAL HYDRAULIC MOTOR ADAPTER

REF. NO.	PART NAME	PARTS PER PUMP	PART NO.
See Below	<b>Hydraulic Motor Adapter Kit</b> *	See Below	895140
26A	Gasket – Hydraulic Motor Adapter	1	381817
28A	Capscrew – Hydraulic Motor Adapter / Head	6	920369
34	Coupling w/ Setscrew – 1.25" straight key hyd. motor shaft	1	906967
35	Key - Coupling	1	909184
76	Grease Fitting	1	317815
76A	Grease Relief Fitting	1	701992
135	Hydraulic Motor Adapter – SAE A Flange	1	041831
135A	Capscrew – Adapter / Motor	2	920510

\* Hydraulic Motor Adapter Kits shipped prior to Spring 2002 were of a two piece design – refer to page 206-B00.

