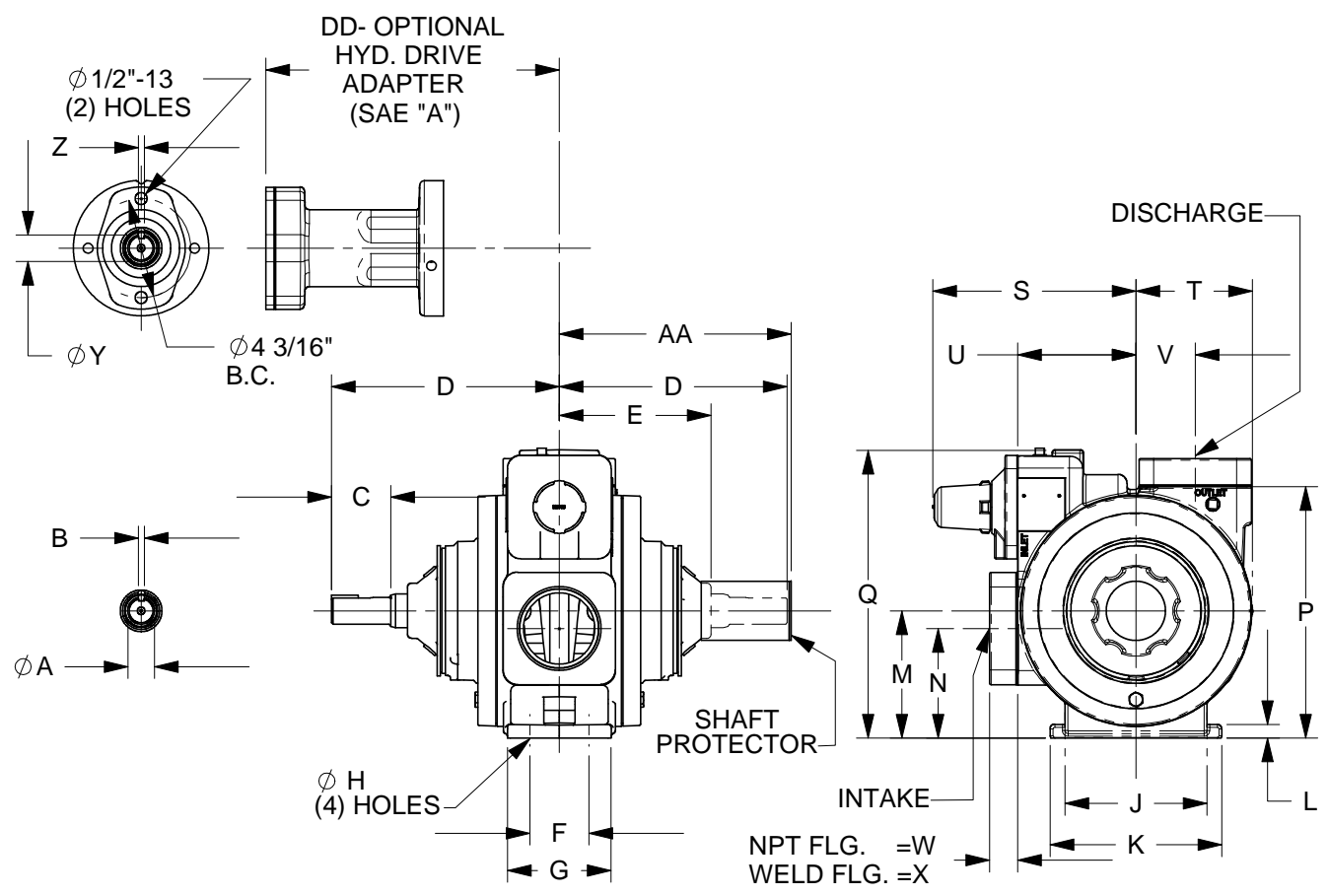




TYPE	SIZE	UNIT STYLE
TXV	3B	PO

DIMENSIONS 202-107	
Section Effective	202
Replaces	October 2002
Page 1 / 1	December 1995

RIGHT HAND ROTATION. FOR LEFT HAND ROTATION SHAFT PROJECTION IS OPPOSITE THAT SHOWN



MOTOR		UNITS	DIMENSIONS									
FRAME SIZE			A	B	C	D	E	F	G	H	J	K
		IN	1 1/8	1/4	2 1/2	9 5/8	6 7/16	2 1/2	4 3/8	5/8	6	7 1/4
		MM	28,6	6,4	63,5	244,5	163,5	63,5	111,1	15,9	152,4	184,2
			L	M	N	P	Q	R	S	T	U	V
		IN	9/16	5 3/8	4 5/8	10 5/8	12 13/16	—	8 9/16	4 15/16	5	2 1/2
		MM	14,3	136,6	117,5	269,9	325,4	—	217,5	103,2	127	63,5
			W	X	Y	Z	AA	BB	CC	DD	EE	FF
		IN	1 1/8	1 1/4	1 1/4	5/16	9 13/16	—	—	12 3/8	—	—
		MM	28,6	31,8	31,8	7,9	249,2	—	—	314,3	—	—
			PUMP WEIGHT		WITH STD FLANGES							
			LBS		149							
			KG		68							